



CLASSIC PULL-DOWN KITCHEN FAUCET

ROHL Pullout Faucets

R7504LM

FEATURES

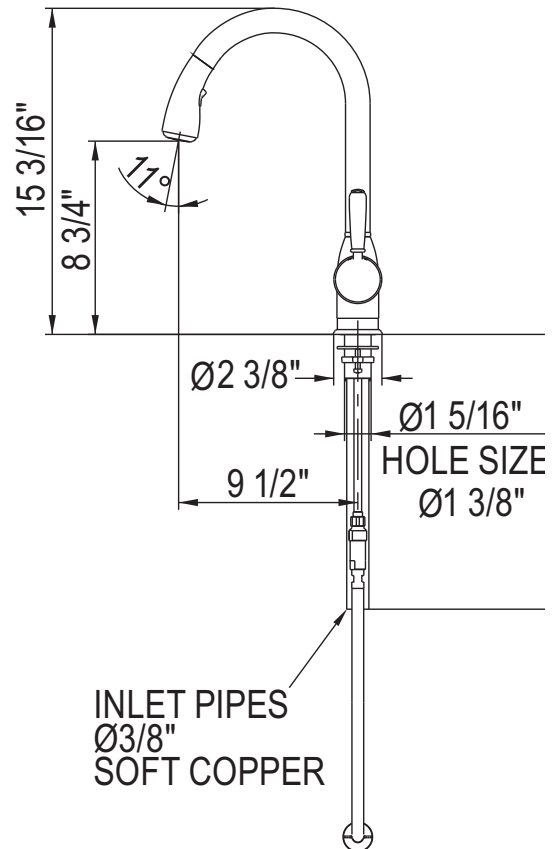
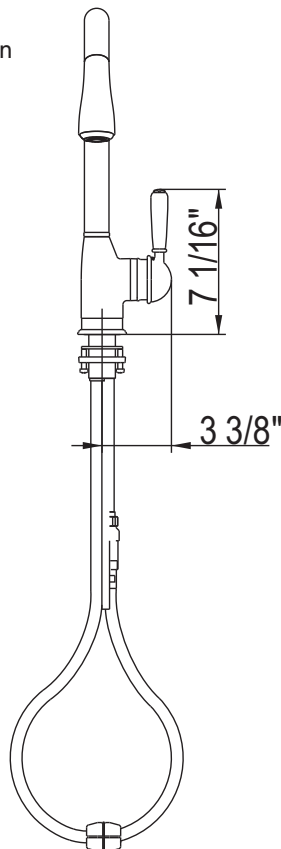
- Metal lever
- Dissimilar ceramic discs for smooth operation and long life
- Ceramic disc cartridge
- Anti-scald device
- 1 3/8" hole cutout
- 2 1/4" max. installation depth on deck
- IAPMO compliant double check valve and 1.8 GPM
- Requires 2 1/2" clearance from backsplash

COLORS/FINISHES

- Polished Chrome
- Polished Nickel
- Satin Nickel
- Stainless Copper

WARRANTY

- Limited Lifetime*

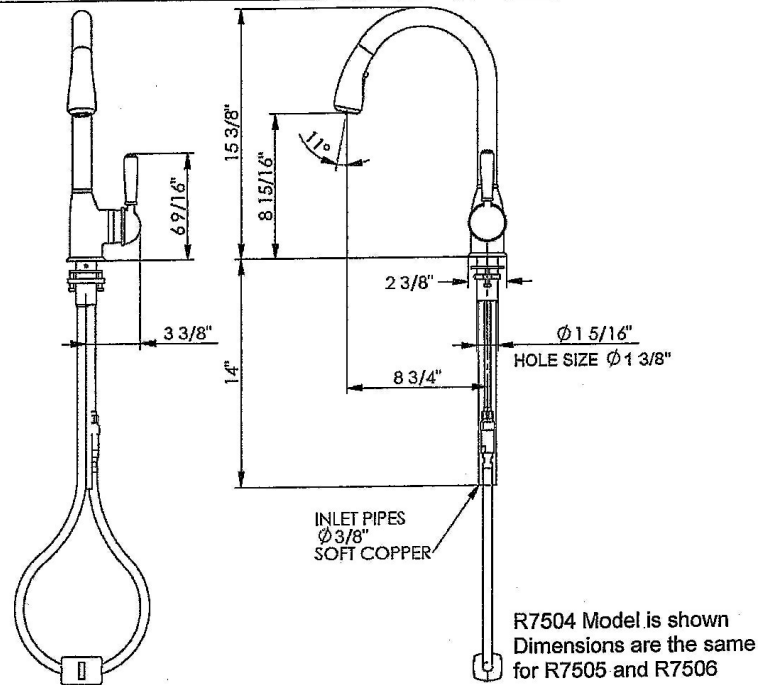


All current Pull-Out faucets are code compliant in California and Vermont. Consult your local ROHL showroom for additional information and specifications. For complete warranty details and a list of showrooms, go to www.rohlhome.com.

Installation Instructions

ROHL PULLDOWN KITCHEN FAUCET R7504, R7505, R7506 INSTALLATION INSTRUCTIONS

PRODUCT # C. 7504830	BATCH # 220813
-------------------------	-------------------



Please leave this form with the product once installed.

SYSTEM REQUIREMENTS

To ensure the optimum performance and customer satisfaction please adhere to the following:

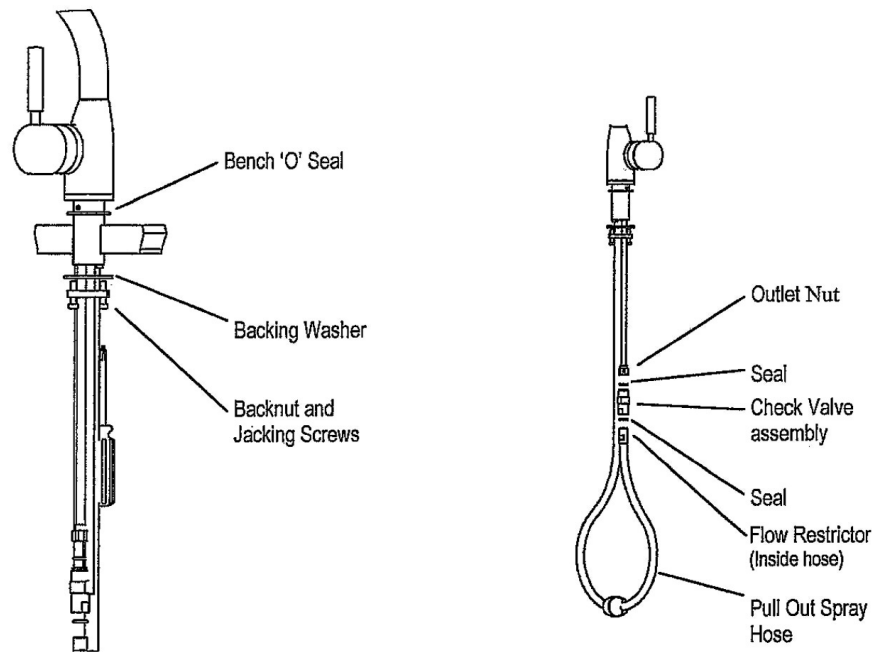
- Flush out all pipe work prior to installation.
- Minimum operating pressure 40psi
- Maximum operating pressure 70psi
- Recommended operating pressure 60psi
- *Note: Pressures over 70psi may require that the house have a pressure regulator installed to limit the pressure below 70psi.
- Maximum hot water temperature 120°F
- If the water temperature exceeds 120°F an approved tempering valve must be fitted.
- Maximum flow rate limited to 1.8 US gallons/minute at 60psi flow pressure .

Failure to comply with the above will void all warranties.

Note: It is strongly recommended that in-line filters are fitted to both inlets.
Connection adaptors are not supplied.

#41729 10/12

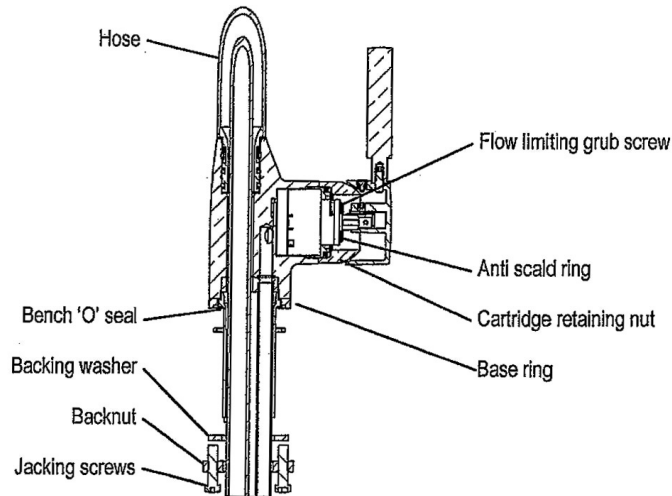
Installation Instructions



Note: This mixer fits a maximum bench thickness of 2 1/4 inches and has a 140° spout arc.

1. Flush pipe work to ensure it is free from debris.
2. Cut a mounting hole 1 3/8" diameter in the desired position for the mixer ensuring there is 30 inches of clear vertical space below the hole for free movement of the hose. Check there is 5/8" of flat surface around the edge of the hole, and that the handset is able to reach where required.
3. Remove mixer from packaging. Unscrew mounting nut and remove backing washer from threaded mixer tail. Ensure 'O' ring is sitting in groove at base of mixer and lower mixer through mounting hole.
4. From underneath the bench slide the washer and mounting nut over connection pipes and tighten onto threaded tail of mixer. Further tighten with jacking screws. The shorter copper tail pipe should be to the rear of the bench.
5. Connect the water supply to the mixer inlet tubes (longer copper tails). 3/8" compression connections not included.
Ensure that the copper tail pipes do not foul the travel of the hose.
6. Connect the hose to the shorter copper tail pipe. Making sure the sealing washer is in place by turning the nut on the copper tail rather than the hose itself.
7. Remove handset from packaging, ensuring the rubber washer is in place and tighten hose onto handset.
8. Remove weights from packaging and fit to hose approximately 24 inches below bench surface, secure with circlip supplied. Check travel of handset and reposition counter weight if necessary.
9. Turn on water supply and check for leaks. Test operation of handset by pressing button on top of handset to change from pour to spray settings.

Installation Instructions



ADJUSTMENTS

FLOW LIMITER: A flow limiter is fitted to this mixer to limit the flow of water in high pressure situations.

1. To adjust the flow limiter, remove handle by loosening grub screw through access hole under red/blue indicator with Hexagon key provided. Grip cover sleeve and lift up to remove.
2. Turn mixer on to desired flow rate and turn grub screw at base of lever spindle clockwise until it comes to a stop.
3. Replace cover sleeve and handle.

ANTI-SCALD RING: An anti-scald ring is fitted to this mixer to limit the maximum movement of the handle when turned to the "HOT" position.

Ex factory the cartridge is set to the maximum HOT water flow.

1. Remove handle by loosening grub screw through access hole under red/blue indicator with Hexagon key provided. Grip cover sleeve and lift up to remove.
2. Lift the red anti-scald ring sufficiently to disengage. Turn anti-clockwise and replace until the desired maximum temperature is obtained. Each notch on the ring gives a temperature change of approximately 3.5°F.
3. Replace cover sleeve and handle.

CARE AND MAINTENANCE: After use, wipe down with a soft, dry cloth.

For all Chrome plated surfaces we recommend cleaning this product with warm soapy water and then dry and buff with a dry soft cloth.

Nickel plated, satin nickel and Inca brass finishes should be cleaned with a soft cloth and warm water and then dried with a dry soft cloth.

Do not use cream cleaners or cleaning agents containing a corrosive acid or scouring agent including, Sofscrub, Comet, Ajax and Bonami as these may damage the surface of the faucet.

Do not use any spray cleaners with ammonia or alcohol like Windex, Yo9 or Fantastik.

Any use of unsuitable cleaning agents causing damage to the surface will not be covered by the warranty.

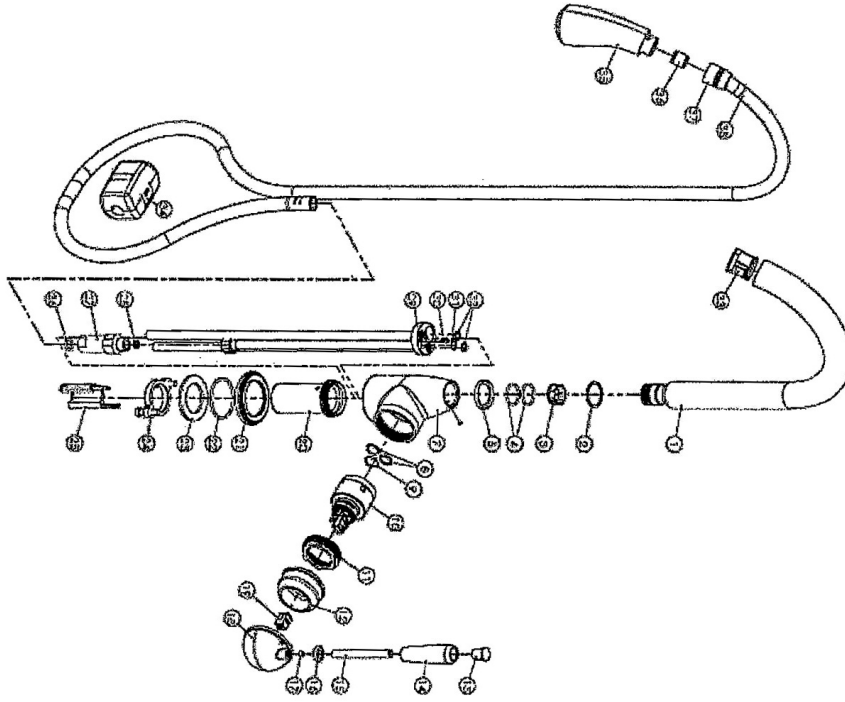
WARRANTY: Warranty is limited lifetime. See our website for details (www.rohlhome.com).

ROHL

ROHL LLC 3 Parker Ln Irvine, CA 92688
714-557-1933 www.rohlhome.com

Authentic Luxury for Kitchen and Bath®

Installation Instructions



R7504 Model is shown. Please see website for exploded drawings of R7505 and R7506.

NO.	DESCRIPTION
1	SPOUT ASSEMBLY
2	WASHER
3	SPOUT SLEEVE BEARING RING
4	O RING
5	TRIM
6	GRUB SCREW
7	BODY
8	O RING
9	O RING
10	CARRIDGE
11	THREADED RING
12	CAP NUT
13	THE BOLT NUT IPOS COUNTRY
14	HANDLE
15	STUD
16	LEVER TRIM - SLIM COUNTRY
17	GRUB SCREW
18	SIDE MOUNTED LEVER CAP
19	HANDLE INSERT EUROHI
20	BENCH FITMENT
21	TRIM COUNTRY - SIDE MID SLIM
22	O RING
23	WASHER
24	LOCKNUT - SCREW ASSEMBLY
25	BENCH FITMENT INSERT
26	O RING
27	DOUBLE CHECK VALVE ASSEMBLY
28	FLOW RESTRICTOR INSERT
29	MOUNTING PLATE ASSEMBLY
30	ROLL PIN
31	O RING
32	O RING
33	HOSE RETAINER
34	COUNTER WEIGHT HOSE ASSEMBLY KIT
35	HANDSET
36	CHECK VALVE CARTRIDGE
37	HOSE NUT
38	HOSE IPOS

All current Pull-Out faucets are code compliant in California and Vermont. Consult your local ROHL showroom for additional information and specifications. For complete warranty details and a list of showrooms, go to www.rohlhome.com.