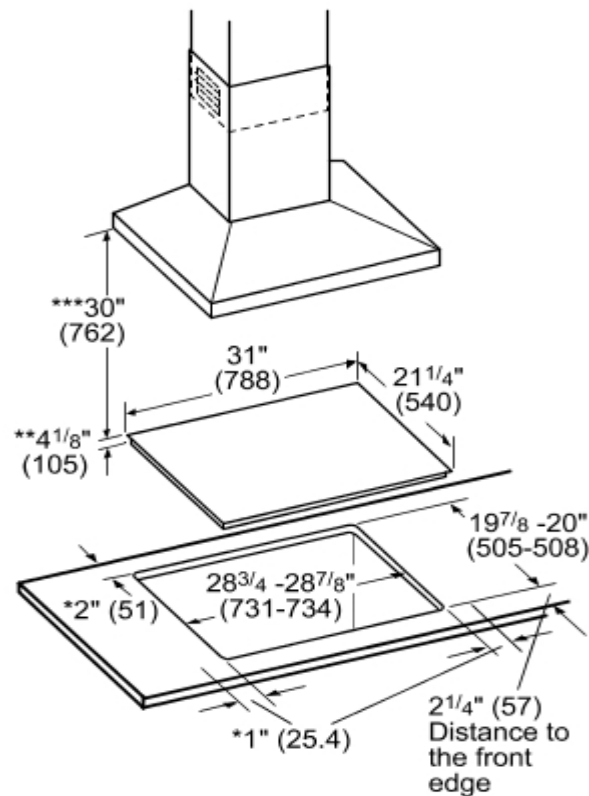


# Bosch Product Dimensions

## Bosch Induction Cooktops

30" Model: NIT3065UC, NIT5065UC, and NIT8065UC



- \* Minimum distance from the cooktop cutout to the wall
- \*\* Installed depth includes gap of 1" (26 mm) to the ventilation
- \*\*\* Minimum distance between surface of the cooktop and lower edge of the exhaust hood.

Dimensions in inches (mm)



**BOSCH**

Invented for life