

# 30" Double Wall Oven

500 Series – Stainless Steel HBL5651UC



**HBL5651UC**  
Stainless Steel

The Bosch wall oven features Genuine European Convection and heavy metal stainless steel knobs.

## Features & Benefits

Genuine European Convection for even baking results on multiple racks (upper oven).

Heavy-duty metal knobs offer a premium European feel.

Bosch wall ovens are compatible with most competitors' cutouts.

The wall oven is designed to be installed flush with cabinetry.

## General Properties

Cooking modes – upper cavity	Bake, Variable Broil (hi & low), Roast, Warm, Sabbath, Proof Dough, Convection Bake, Convection Broil, Convection Roast, Pizza, Multi Rack Genuine European Convection, Convection Conversion
------------------------------	---

Cooking modes – lower cavity	Bake, Variable Broil (hi & low), Roast, Warm, Sabbath
------------------------------	---

Cleaning type – upper & lower cavity	Self Clean
--------------------------------------	------------

Telescopic rack	0
-----------------	---

Illumination type – upper & lower cavity	Incandescent
--	--------------

Interior lights – upper cavity	1
--------------------------------	---

Interior lights – lower cavity	1
--------------------------------	---

## Oven Performance

Bake / Broil element wattages – upper & lower cavity	2,400 / 3,800 W
--	-----------------

Convection element wattages – upper cavity	2,000 W
--	---------



## Technical Details

Watts (W)	8,455 W
-----------	---------

Volts (V), Frequency (Hz), Circuit breaker (A)	240 / 208 V, 60 Hz, 40 A
--	--------------------------

Power cord length (in); Plug type	50"; Fixed connection, no plug
-----------------------------------	--------------------------------

Energy source	Electric
---------------	----------

## Dimensions & Weight

Overall appliance dimensions (HxWxD)(in)	52 1/16" x 29 3/4" x 24 1/2"
--	------------------------------

Required cutout size (HxWxD) (in)	49 3/4" – 51 1/2" x 28 1/2" x 23 1/2"
-----------------------------------	---------------------------------------

Oven cavity size (cu. ft.)	4.6
----------------------------	-----

Overall oven interior dimensions (HxWxD) (in)	17 13/16" x 24 1/8" x 18"
---	---------------------------

Usable oven interior dimensions (HxWxD) (in)	12 5/16" x 23 1/4" x 15 1/4"
--	------------------------------

Net weight (lbs)	261 lbs
------------------	---------

## Accessories—Included

Included	Upper Oven: 2 Standard Oven Racks Lower Oven: 2 Standard Oven Racks
----------	--

## Accessories—Optional



**HEZTR301**  
30" Telescopic Rack

**Accessories:** To purchase Bosch accessories, cleaners & parts please visit [www.bosch-home.com/us/store](http://www.bosch-home.com/us/store) or call 1-800-944-2904 (Mon to Fri 5 am to 6 pm PST, Sat 6 am to 3 pm PST).

**Notes:** All height, width and depth dimensions are shown in inches. BSH reserves the absolute and unrestricted right to change product materials and specifications, at any time, without notice. Consult the product's installation instructions for final dimensional data and other details prior to making cutout.

**Warranties:** Please see Use & Care manual or Bosch website for statement of limited warranty.

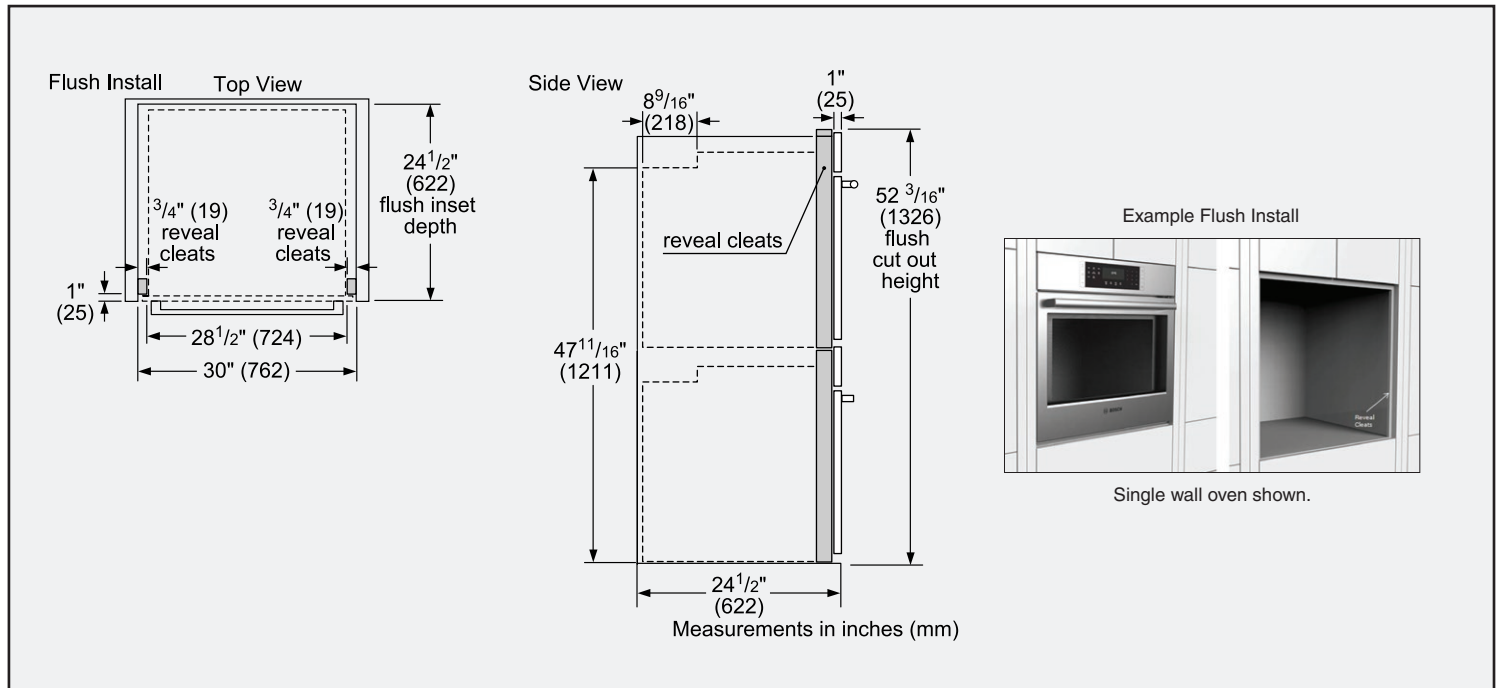
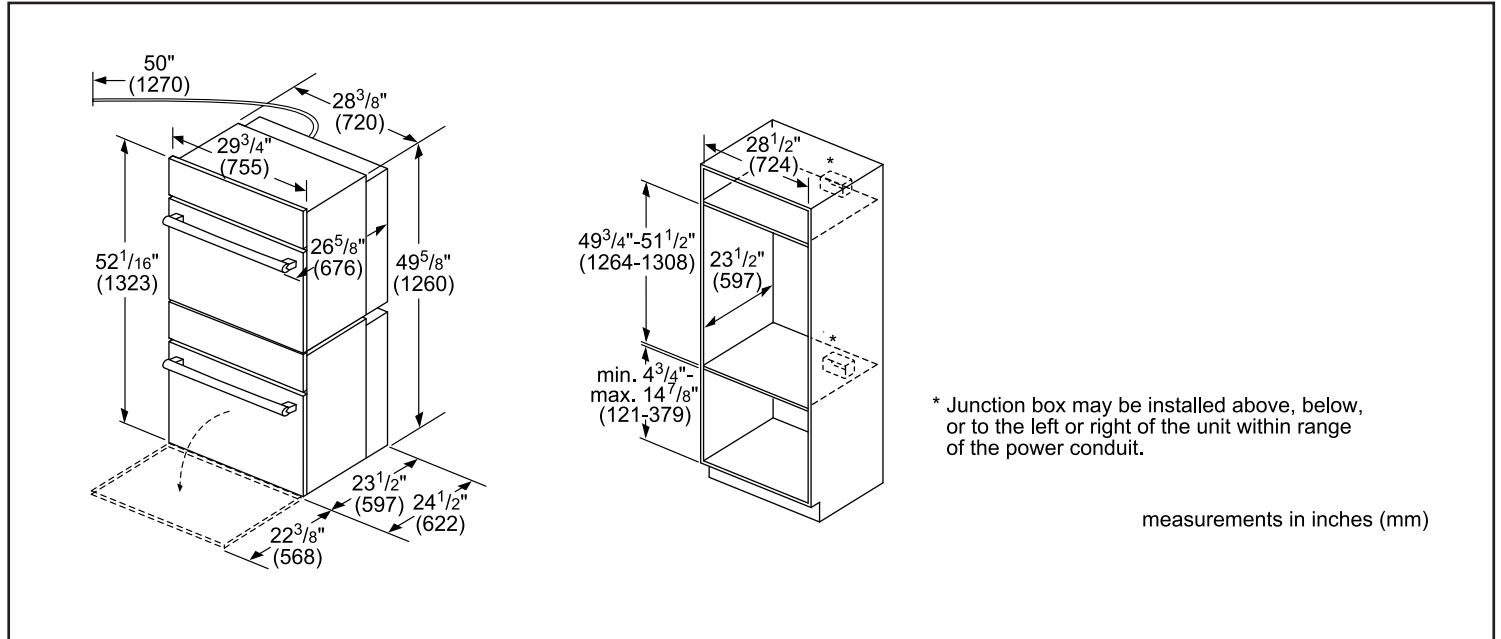
**For more information on our entire line of products, go to [www.bosch-home.com/us](http://www.bosch-home.com/us) or call 1-800-944-2904**

© BSH Home Appliances Corporation. All rights reserved. Bosch is a registered trademark of Robert Bosch GmbH.

# 30" Double Wall Oven

500 Series – Stainless Steel HBL5651UC

## Installation Details



**Accessories:** To purchase Bosch accessories, cleaners & parts please visit [www.bosch-home.com/us/store](http://www.bosch-home.com/us/store) or call 1-800-944-2904 (Mon to Fri 5 am to 6 pm PST, Sat 6 am to 3 pm PST).

**Notes:** All height, width and depth dimensions are shown in inches. BSH reserves the absolute and unrestricted right to change product materials and specifications, at any time, without notice. Consult the product's installation instructions for final dimensional data and other details prior to making cutout.

**Warranties:** Please see Use & Care manual or Bosch website for statement of limited warranty.

**For more information on our entire line of products, go to [www.bosch-home.com/us](http://www.bosch-home.com/us) or call 1-800-944-2904**

© BSH Home Appliances Corporation. All rights reserved. Bosch is a registered trademark of Robert Bosch GmbH.

# 30" Double Wall Oven

500 Series – Stainless Steel HBL5651UC



**BOSCH**  
Invented for life

## Installation Details

**Standard**

1 3/4" (44mm)

**Side-by-Side Installation**

The ovens will overlap the cutout resulting in a 1/2" (13mm) spacing between the products

**IMPORTANT:** The spacing between cutouts applies when installing any Bosch 30" or 27" single, double, combination and 27"/30" compact oven in a side-by-side installation.

**Flush**

1/2" (13mm)

**Standard Installation**  
30" Double Oven over Storage or Warming Drawer

measurements in inches (mm)

\* Wall oven junction box may be located above or right or left of the unit within reach of the power conduit.

\*\* Electrical hook up may be located below (depending on space) or next to the drawer within the reach of the power cord.

minimum 3/4" (18mm) required between cutouts

**Flush Installation**  
Double Oven over Storage or Warming Drawer

Side View

measurements in inches (mm)

\* **IMPORTANT:** base has to be able to support oven weight. Please check oven manual for minimum weight requirements.

minimum 1/2" (13) required between cutouts\*

**Accessories:** To purchase Bosch accessories, cleaners & parts please visit [www.bosch-home.com/us/store](http://www.bosch-home.com/us/store) or call 1-800-944-2904 (Mon to Fri 5 am to 6 pm PST, Sat 6 am to 3 pm PST).

**Notes:** All height, width and depth dimensions are shown in inches. BSH reserves the absolute and unrestricted right to change product materials and specifications, at any time, without notice. Consult the product's installation instructions for final dimensional data and other details prior to making cutout.

**Warranties:** Please see Use & Care manual or Bosch website for statement of limited warranty.

**For more information on our entire line of products, go to [www.bosch-home.com/us](http://www.bosch-home.com/us) or call 1-800-944-2904**

© BSH Home Appliances Corporation. All rights reserved. Bosch is a registered trademark of Robert Bosch GmbH.