

# 30" Double Wall Oven

800 Series – Stainless Steel HBL8651UC



**HBL8651UC**  
Stainless Steel

Also available in:

Black HBL8661UC  
Black Stainless HBL8642UC  
Steel

**The Bosch wall oven installs flush and features a QuietClose® door.**

## Features & Benefits

Dampened hinges softly and quietly guide the QuietClose® door shut.

A full-extension telescopic rack offers safe access to the oven cavity.

Touch control with SteelTouch™ buttons makes operating the oven easier.

The wall oven is designed to be installed flush with cabinetry.

Bosch wall ovens are compatible with most competitors' cutouts.

## General Properties

|  |  |
|--|--|
| Cooking modes – upper cavity             | Bake, Variable Broil (hi & low), Roast, Warm, Sabbath, Proof Dough, Convection Bake, Convection Broil, Convection Roast, Pizza, Multi Rack Genuine European Convection, Convection Conversion, Temperature Probe, Fast Preheat |
| Cooking modes – lower cavity             | Bake, Variable Broil (hi & low), Roast, Warm, Sabbath  |
| Cleaning type – upper & lower cavity     | Self Clean   |
| Telescopic rack                          | 1  |
| Illumination type – upper & lower cavity | Incandescent   |
| Interior lights – upper cavity           | 2  |
| Interior lights – lower cavity           | 1  |



## Oven Performance

|  |                 |
|--|-----------------|
| Bake / Broil element wattages – upper & lower cavity | 2,400 / 3,800 W |
| Convection element wattages – upper cavity           | 2,000 W         |

## Technical Details

|  |                                |
|--|--------------------------------|
| Watts (W)                                      | 8,495 W                        |
| Volts (V), Frequency (Hz), Circuit breaker (A) | 240 / 208 V, 60 Hz, 40 A       |
| Power cord length (in); Plug type              | 50"; Fixed connection, no plug |
| Energy source                                  | Electric                       |

## Dimensions & Weight

|   |                                       |
|---|---------------------------------------|
| Overall appliance dimensions (HxWxD)(in)      | 52 1/16" x 29 3/4" x 24 1/2"          |
| Required cutout size (HxWxD) (in)             | 49 3/4" – 51 1/2" x 28 1/2" x 23 1/2" |
| Oven cavity size (cu. ft.)                    | 4.6                                   |
| Overall oven interior dimensions (HxWxD) (in) | 17 13/16" x 24 1/8" x 18"             |
| Usable oven interior dimensions (HxWxD) (in)  | 12 5/16" x 23 1/4" x 15 1/4"          |
| Net weight (lbs)                              | 261 lbs                               |

## Accessories—Included

|          |  |
|----------|--|
| Included | Upper Oven: 1 Telescopic and 2 Standard Oven Racks, Temperature Probe<br>Lower Oven: 2 Standard Oven Racks |
|----------|--|

## Accessories—Optional



**HEZTR301**  
30" Telescopic Rack

**Accessories:** To purchase Bosch accessories, cleaners & parts please visit [www.bosch-home.com/us/store](http://www.bosch-home.com/us/store) or call 1-800-944-2904 (Mon to Fri 5 am to 6 pm PST, Sat 6 am to 3 pm PST).

**Notes:** All height, width and depth dimensions are shown in inches. BSH reserves the absolute and unrestricted right to change product materials and specifications, at any time, without notice. Consult the product's installation instructions for final dimensional data and other details prior to making cutout.

**Warranties:** Please see Use & Care manual or Bosch website for statement of limited warranty.

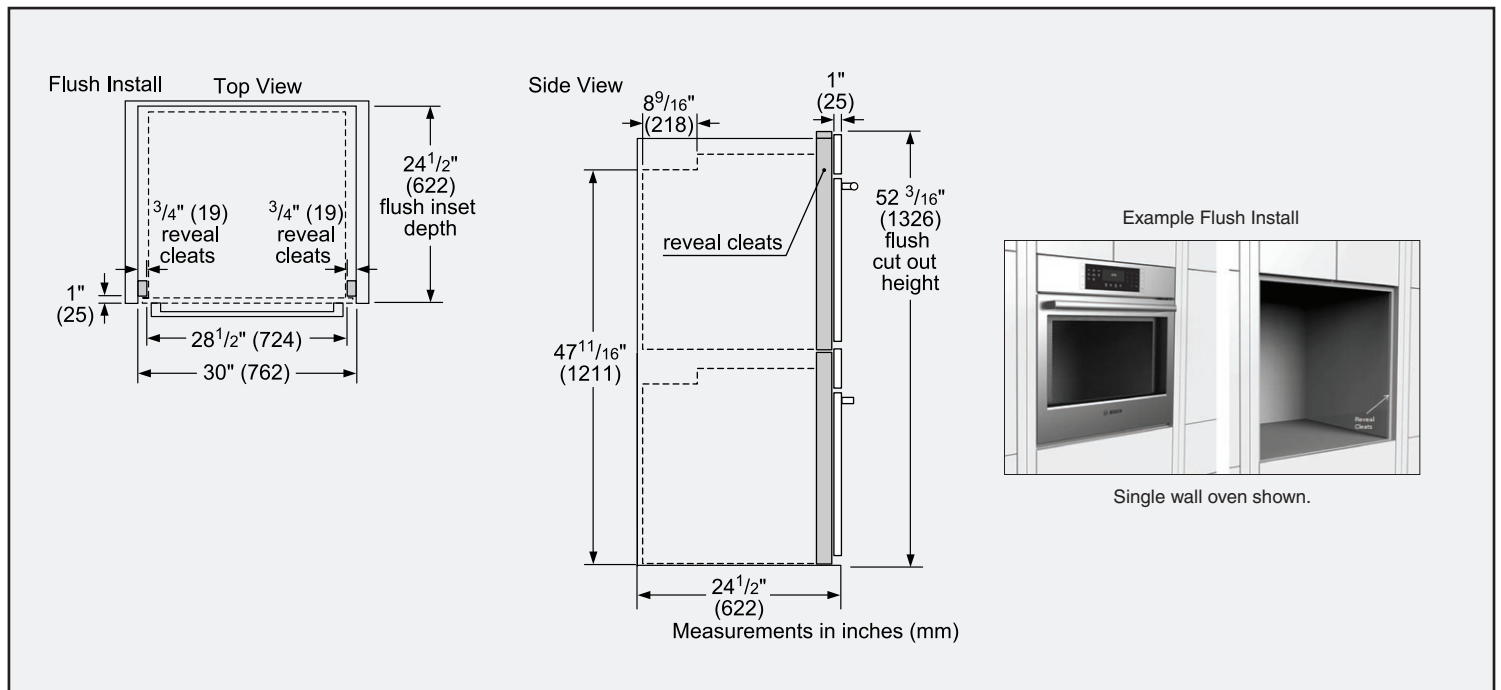
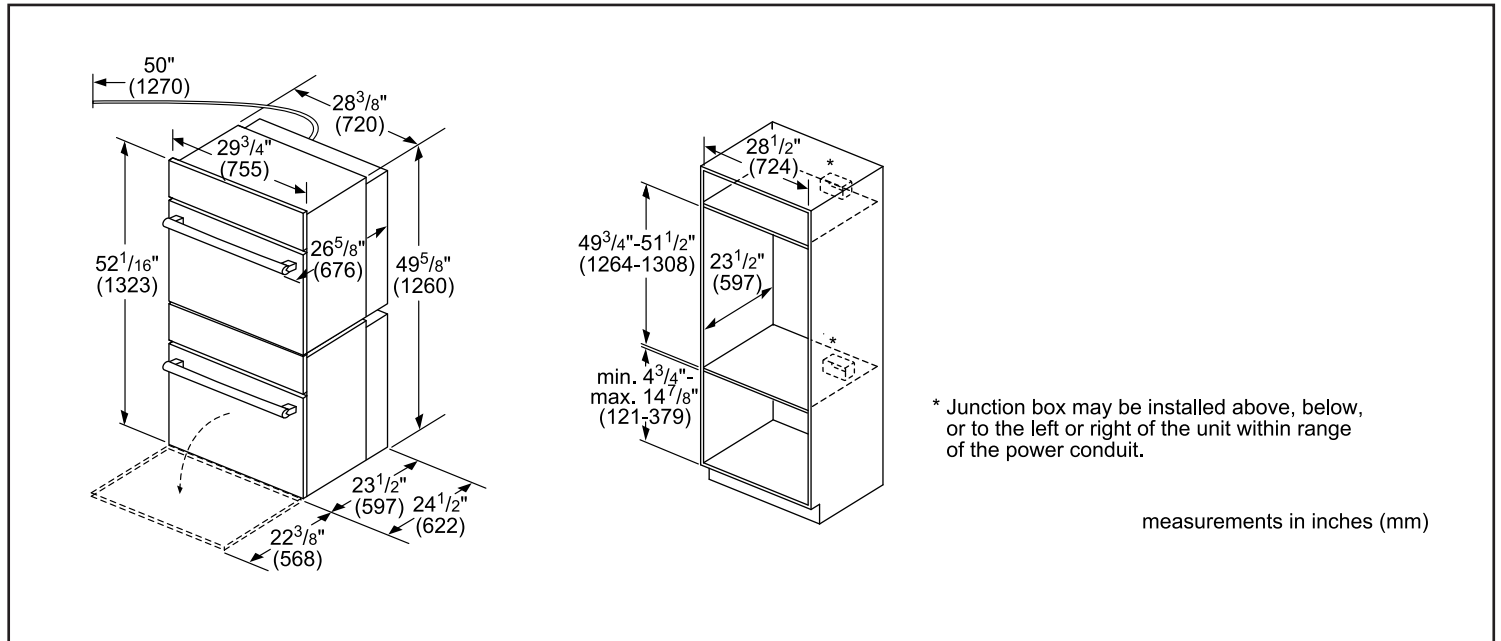
**For more information on our entire line of products, go to [www.bosch-home.com/us](http://www.bosch-home.com/us) or call 1-800-944-2904**

© BSH Home Appliances Corporation. All rights reserved. Bosch is a registered trademark of Robert Bosch GmbH.

# 30" Double Wall Oven

800 Series – Stainless Steel HBL8651UC

## Installation Details



**Accessories:** To purchase Bosch accessories, cleaners & parts please visit [www.bosch-home.com/us/store](http://www.bosch-home.com/us/store) or call 1-800-944-2904 (Mon to Fri 5 am to 6 pm PST, Sat 6 am to 3 pm PST).

**Notes:** All height, width and depth dimensions are shown in inches. BSH reserves the absolute and unrestricted right to change product materials and specifications, at any time, without notice. Consult the product's installation instructions for final dimensional data and other details prior to making cutout.

**Warranties:** Please see Use & Care manual or Bosch website for statement of limited warranty.

**For more information on our entire line of products, go to [www.bosch-home.com/us](http://www.bosch-home.com/us) or call 1-800-944-2904**

© BSH Home Appliances Corporation. All rights reserved. Bosch is a registered trademark of Robert Bosch GmbH.

# 30" Double Wall Oven

800 Series – Stainless Steel HBL8651UC



**BOSCH**  
Invented for life

## Installation Details

**Standard**

1 3/4" (44mm)

**Side-by-Side Installation**

The ovens will overlap the cutout resulting in a 1/2" (13mm) spacing between the products

**IMPORTANT:** The spacing between cutouts applies when installing any Bosch 30" or 27" single, double, combination and 27"/30" compact oven in a side-by-side installation.

**Flush**

1/2" (13mm)

---

**Standard Installation**  
30" Double Oven over Storage or Warming Drawer

28 1/2" (724)  
49 3/4" - 51 1/2" (1264-1308)  
23 1/2" (597)  
9 1/4" (235)  
min. 4 3/4" - max. 18" (121-456)

minimum 3/4" (18mm) required between cutouts

measurements in inches (mm)

\* Wall oven junction box may be located above or right or left of the unit within reach of the power conduit.

\*\* Electrical hook up may be located below (depending on space) or next to the drawer within the reach of the power cord.

**Flush Installation**  
Double Oven over Storage or Warming Drawer

Side View

1" (25) cleats

52 3/16" (1326) flush cut out height

9 9/16" (243) flush cut out height

24 1/2" (622)

Double Wall Oven

Warming Drawer

minimum 1/2" (13) required between cutouts\*

measurements in inches (mm)

\* **IMPORTANT:** base has to be able to support oven weight. Please check oven manual for minimum weight requirements.

**Accessories:** To purchase Bosch accessories, cleaners & parts please visit [www.bosch-home.com/us/store](http://www.bosch-home.com/us/store) or call 1-800-944-2904 (Mon to Fri 5 am to 6 pm PST, Sat 6 am to 3 pm PST).

**Notes:** All height, width and depth dimensions are shown in inches. BSH reserves the absolute and unrestricted right to change product materials and specifications, at any time, without notice. Consult the product's installation instructions for final dimensional data and other details prior to making cutout.

**Warranties:** Please see Use & Care manual or Bosch website for statement of limited warranty.

**For more information on our entire line of products, go to [www.bosch-home.com/us](http://www.bosch-home.com/us) or call 1-800-944-2904**

© BSH Home Appliances Corporation. All rights reserved. Bosch is a registered trademark of Robert Bosch GmbH.