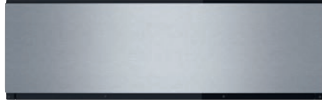


# 30" Storage Drawer

500 Series - Stainless Steel HSD5051UC



**HSD5051UC  
Stainless Steel**

The storage drawer is designed to match the perfectly flush fit of a Bosch wall, speed or steam oven.

## Features & Benefits

The storage drawer fits 30" racks, the meat probe and other cooking relevant utensils.

A silicone mat protects the bottom of drawer.

Installs vertically under Bosch speed, steam or wall oven.

Matches Bosch built-in products. Install either flush or proud.

## General Properties

Door opening	Push to Open
Hinges	Ball bearing hinges

## Capacity

Cavity capacity (cu. ft.)	2.4 cu. ft.
---------------------------	-------------

## Dimensions & Weight

Overall appliance dimensions (HxWxD) (in)	9 7/16" x 29 3/4 x 23 1/2"
Required cutout size (HxWxD) (in)	9 1/4" x 28 1/2" x 23 1/2"
Net weight (lbs)	47 lbs

## Accessories—Included

Installation brackets	Installation brackets to install drawer below speed or steam oven in one cut out (identical to single wall oven cut out)
Drawer mat	Rubber mat to protect bottom of drawer



For help and assistance with Bosch accessories please visit: [www.bosch-eshop.com/eshop/bosch/us](http://www.bosch-eshop.com/eshop/bosch/us) or call 1-800-944-2904 Mon-Fri 5am to 6pm PST Sat 6am to 3pm PST

Notes: All height, width and depth dimensions are shown in inches. Please refer to installation instructions prior to making cutout. BSH reserves the absolute and unrestricted right to change product materials and specifications, at any time, without notice. Consult the product's installation instructions for final dimensional data and other details. Applicable product warranty can be found in accompanying product literature or you may contact your account manager for further details.

Warranties: Bosch warrants that the Product is free from defects in materials and workmanship for a period of three hundred and sixty-five (365) days from the date of purchase. The foregoing timeline begins to run upon the date of purchase, and shall not be stalled, tolled, extended, or suspended, for any reason whatsoever. This Product is also warranted to be free from cosmetic defects in material and workmanship (such as scratches of stainless steel, paint/porcelain blemishes, chip, dents, or other damage to the finish of the Product, for a period of thirty (30) days from the date of purchase or closing date for new construction. This cosmetic warranty excludes slight color variations due to inherent differences in painted and porcelain parts, as well as differences caused by kitchen lighting, product location, or other similar factors. This cosmetic warranty specifically excludes any display, floor, "As Is", or "B" stock appliances.

For more information on our entire line of products, go to [www.bosch-home.com/us](http://www.bosch-home.com/us) or call 1-800-944-2904

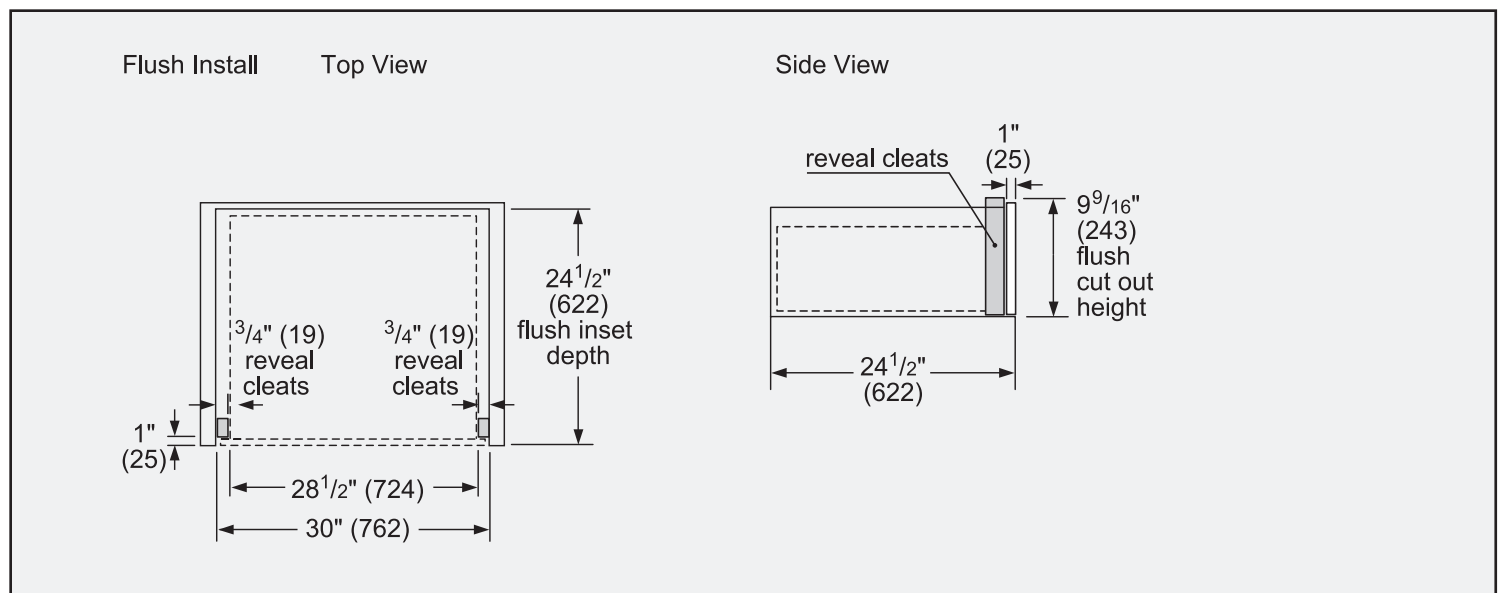
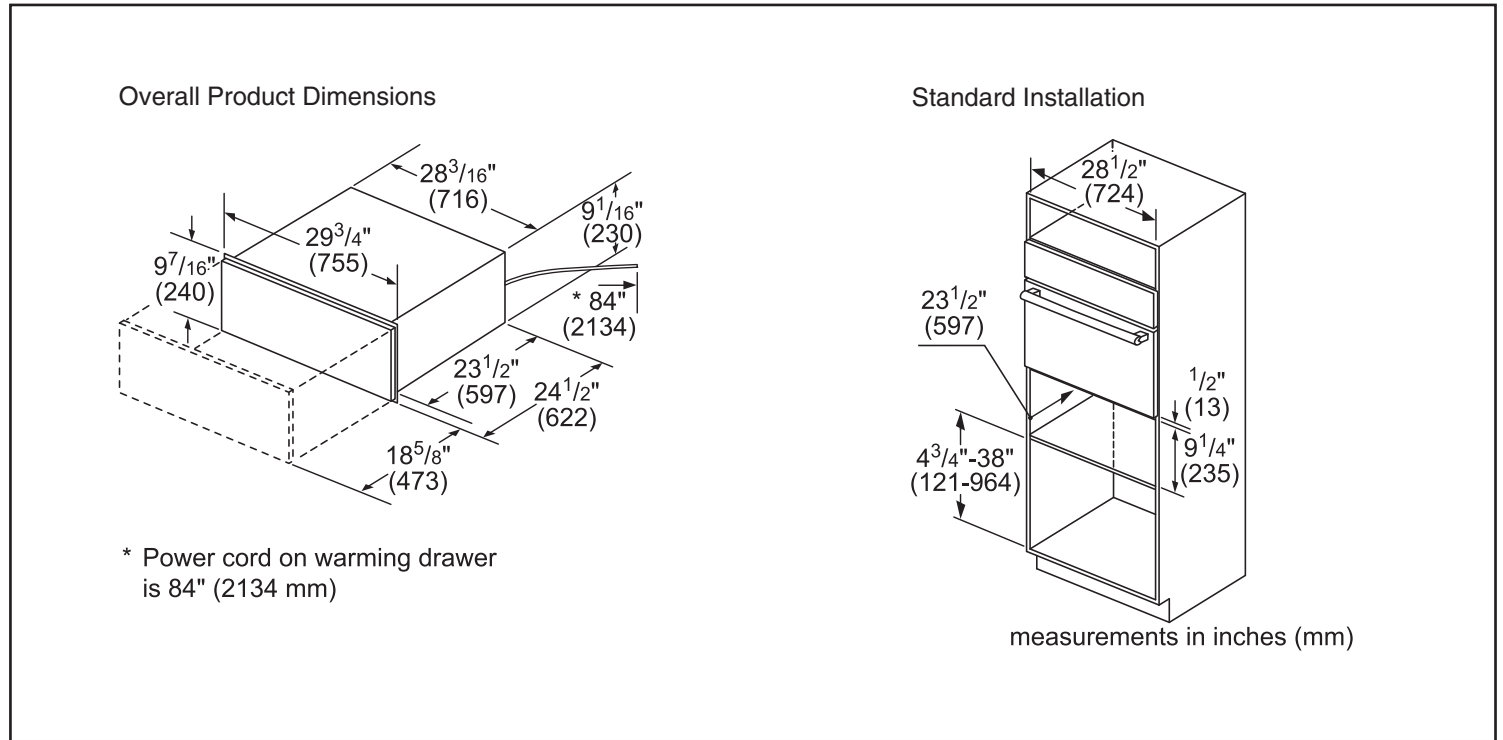
© BSH Home Appliances Corporation. All rights reserved. Bosch is a registered trademark of Robert Bosch GmbH.

# 30" Storage Drawer

500 Series - Stainless Steel HSD5051UC



## Installation Details



For help and assistance with Bosch accessories please visit: [www.bosch-eshop.com/eshop/bosch/us](http://www.bosch-eshop.com/eshop/bosch/us) or call 1-800-944-2904 Mon-Fri 5am to 6pm PST Sat 6am to 3pm PST

Notes: All height, width and depth dimensions are shown in inches. Please refer to installation instructions prior to making cutout. BSH reserves the absolute and unrestricted right to change product materials and specifications, at any time, without notice. Consult the product's installation instructions for final dimensional data and other details. Applicable product warranty can be found in accompanying product literature or you may contact your account manager for further details.

Warranties: Bosch warrants that the Product is free from defects in materials and workmanship for a period of three hundred and sixty-five (365) days from the date of purchase. The foregoing timeline begins to run upon the date of purchase, and shall not be stalled, tolled, extended, or suspended, for any reason whatsoever. This Product is also warranted to be free from cosmetic defects in material and workmanship (such as scratches of stainless steel, paint/porcelain blemishes, chip, dents, or other damage to the finish of the Product, for a period of thirty (30) days from the date of purchase or closing date for new construction. This cosmetic warranty excludes slight color variations due to inherent differences in painted and porcelain parts, as well as differences caused by kitchen lighting, product location, or other similar factors. This cosmetic warranty specifically excludes any display, floor, "As Is", or "B" stock appliances.

For more information on our entire line of products, go to [www.bosch-home.com/us](http://www.bosch-home.com/us) or call 1-800-944-2904

© BSH Home Appliances Corporation. All rights reserved. Bosch is a registered trademark of Robert Bosch GmbH.

# 30" Storage Drawer

500 Series - Stainless Steel HSD5051UC



## Installation Details

**Standard Installation**  
30" Single Oven over Storage or Warming Drawer

\* Wall oven junction box may be located above or right or left of the unit within reach of the power conduit.

\*\* Electrical hook up may be located below (depending on space) or next to the drawer within the reach of the power cord.

minimum  $\frac{3}{4}$ " (18mm) required between cutouts

measurements in inches (mm)

**Flush Installation**  
Single Oven over Storage or Warming Drawer

Side View

Single Wall Oven

\* IMPORTANT: base has to be able to support oven weight. Please check oven manual for minimum weight requirements.

flush cut out height

minimum  $\frac{1}{2}$ " (13) required between cutouts\*

Warming Drawer

measurements in inches (mm)

**Standard Installation**  
30" Double Oven over Storage or Warming Drawer

minimum  $\frac{3}{4}$ " (18mm) required between cutouts

measurements in inches (mm)

\* Wall oven junction box may be located above or right or left of the unit within reach of the power conduit.

\*\* Electrical hook up may be located below (depending on space) or next to the drawer within the reach of the power cord.

**Flush Installation**  
Double Oven over Storage or Warming Drawer

Side View

Double Wall Oven

\* IMPORTANT: base has to be able to support oven weight. Please check oven manual for minimum weight requirements.

flush cut out height

minimum  $\frac{1}{2}$ " (13) required between cutouts\*

Warming Drawer

measurements in inches (mm)

For help and assistance with Bosch accessories please visit: [www.bosch-eshop.com/eshop/bosch/us](http://www.bosch-eshop.com/eshop/bosch/us) or call 1-800-944-2904 Mon-Fri 5am to 6pm PST Sat 6am to 3pm PST

Notes: All height, width and depth dimensions are shown in inches. Please refer to installation instructions prior to making cutout. BSH reserves the absolute and unrestricted right to change product materials and specifications, at any time, without notice. Consult the product's installation instructions for final dimensional data and other details. Applicable product warranty can be found in accompanying product literature or you may contact your account manager for further details.

Warranties: Bosch warrants that the Product is free from defects in materials and workmanship for a period of three hundred and sixty-five (365) days from the date of purchase. The foregoing timeline begins to run upon the date of purchase, and shall not be stalled, tolled, extended, or suspended, for any reason whatsoever. This Product is also warranted to be free from cosmetic defects in material and workmanship (such as scratches of stainless steel, paint/porcelain blemishes, chip, dents, or other damage to the finish of the Product, for a period of thirty (30) days from the date of purchase or closing date for new construction. This cosmetic warranty excludes slight color variations due to inherent differences in painted and porcelain parts, as well as differences caused by kitchen lighting, product location, or other similar factors. This cosmetic warranty specifically excludes any display, floor, "As Is", or "B" stock appliances.

For more information on our entire line of products, go to [www.bosch-home.com/us](http://www.bosch-home.com/us) or call 1-800-944-2904

© BSH Home Appliances Corporation. All rights reserved. Bosch is a registered trademark of Robert Bosch GmbH.

# 30" Storage Drawer

500 Series - Stainless Steel HSD5051UC



## Installation Details

**Standard Installation**  
Steam or Speed Oven Over Drawer

\* Power cord with plug on 120 V units is 48" (1092)

measurements in inches (mm)

**Flush Installation**  
Steam or Speed Oven Over Drawer

Side View

1" (25) reveal cleats

29 1/8" (740) flush cut out height

24 1/2" (622) Measurement

**Standard Installation**  
Combination Oven over Storage or Warming Drawer

minimum 3/4" (18mm) required between cutouts

measurements in inches (mm)

\* Wall oven junction box may be located above or right or left of the unit within reach of the power conduit.

\*\*Electrical hook up may be located below (depending on space) or next to the drawer within the reach of the power cord.

**Flush Installation**  
Combination Oven over Storage or Warming Drawer

Side View

1" (25) cleats

49 1/8" (1248) flush cut out height

9 9/16" (243) flush cut out height

24 1/2" (622) measurements in inches (mm)

Combination Wall Oven

Warming Drawer

\* IMPORTANT: base has to be able to support oven weight. Please check oven manual for minimum weight requirements.

minimum 1/2" (13) required between cutouts\*

For help and assistance with Bosch accessories please visit: [www.bosch-eshop.com/eshop/bosch/us](http://www.bosch-eshop.com/eshop/bosch/us) or call 1-800-944-2904 Mon-Fri 5am to 6pm PST Sat 6am to 3pm PST

Notes: All height, width and depth dimensions are shown in inches. Please refer to installation instructions prior to making cutout. BSH reserves the absolute and unrestricted right to change product materials and specifications, at any time, without notice. Consult the product's installation instructions for final dimensional data and other details. Applicable product warranty can be found in accompanying product literature or you may contact your account manager for further details.

Warranties: Bosch warrants that the Product is free from defects in materials and workmanship for a period of three hundred and sixty-five (365) days from the date of purchase. The foregoing timeline begins to run upon the date of purchase, and shall not be stalled, tolled, extended, or suspended, for any reason whatsoever. This Product is also warranted to be free from cosmetic defects in material and workmanship (such as scratches of stainless steel, paint/porcelain blemishes, chip, dents, or other damage to the finish of the Product, for a period of thirty (30) days from the date of purchase or closing date for new construction. This cosmetic warranty excludes slight color variations due to inherent differences in painted and porcelain parts, as well as differences caused by kitchen lighting, product location, or other similar factors. This cosmetic warranty specifically excludes any display, floor, "As Is", or "B" stock appliances.

For more information on our entire line of products, go to [www.bosch-home.com/us](http://www.bosch-home.com/us) or call 1-800-944-2904

© BSH Home Appliances Corporation. All rights reserved. Bosch is a registered trademark of Robert Bosch GmbH.