

30" Microwave Combination Oven

800 Series – Stainless Steel HBL87M52UC



BOSCH
Invented for life



HBL87M52UC
Stainless Steel

Built-In Microwave Design Matched for Use in Combination with Bosch Wall Oven.

Features & Benefits

Bosch wall ovens are compatible with most competitor's cutouts.

Dampened hinges softly and quietly guide the QuietClose® door shut.

A full-extension telescopic rack offers safe access to the oven cavity.

The wall oven is designed to be installed flush with cabinetry.

General Properties

| | |
|------------------------------|-------------------------------------------------------------------------------------------------------------------------------------------------------------------------------------------------------------------------------------|
| Cooking modes – upper cavity | Microwave; 10 Sensor Cooking Programs (including Baked Potato, Sweet Potato, Fresh Vegetable, Frozen Vegetable, Ground Meat, Fish/Seafood, Brown Rice, White Rice, Frozen Entrees, Reheat), Popcorn, Beverage, Melt/Soften, Defrost |
| Cooking modes – lower cavity | Bake, Variable Broil (hi & low), Roast, Warm, Sabbath, Proof Dough, Convection Bake, Convection Broil, Convection Roast, Pizza, Multi Rack Genuine European Convection, Convection Conversion, Temperature Probe, Fast Preheat |

| | |
|-----------------------|--------------------------------|
| Cleaning type – lower | Self Clean |
| Telescopic rack | 1 |
| Illumination type | Incandescent (Upper and Lower) |
| Interior lights | 1 Upper / 2 Lower |

Oven Performance

| | |
|----------------------------------------------|-----------------|
| Microwave power – upper cavity | 950 W |
| Bake / broil element wattages – upper cavity | N/A |
| Bake / broil element wattages – lower cavity | 2,400 / 3,800 W |
| Convection element wattages – lower cavity | 2,000 W |

Technical Details

| | |
|---------------------------|---------------------------|
| Watts (W) | 9,600 W |
| Circuit breaker (A) | 40 A |
| Volts (V); Frequency (Hz) | 240 / 208 V; 60 Hz |
| Power cord length (in) | 50" |
| Plug type | 120 V, 3-Prong Receptacle |
| Energy source | Electric |

Dimensions & Weight

| | |
|------------------------------------------------------|------------------------------|
| Overall appliance dimensions (HxWxD)(in) | 49" x 29 3/4" x 24 1/2" |
| Required cutout size – Standard (HxWxD) (in) | 48 5/8" x 28 1/2" x 23 1/2" |
| Required cutout size – Flush (HxWxD) (in) | 49 1/8" x 30" x 24 1/2" |
| Oven cavity size – upper | 1.6 cu. ft. |
| Overall upper oven interior dimensions (HxWxD) (in.) | 9 7/8" x 16 1/2" x 16 1/2" |
| Turntable – Glass Max. Cookware – upper | 14 1/8" dia. |
| Oven cavity size – lower | 4.6 cu. ft. |
| Overall lower oven interior dimensions (HxWxD) (in) | 17 13/16" x 24 1/8" x 18" |
| Usable lower oven interior dimensions (HxWxD) (in) | 12 5/16" x 23 1/4" x 15 1/4" |
| Net weight (lbs) | 259 lbs |

Accessories—Included

Upper Oven: Glass Turntable
Lower Oven: 1 Telescopic and 2 Standard Oven Racks, Meat Probe

Accessories—Optional



HEZTR301
30" Telescopic Rack



*Wall oven only

Accessories: To purchase Bosch accessories, cleaners & parts please visit www.bosch-home.com/us/store or call 1-800-944-2904 (Mon to Fri 5 am to 6 pm PST, Sat 6 am to 3 pm PST).

Notes: All height, width and depth dimensions are shown in inches. BSH reserves the absolute and unrestricted right to change product materials and specifications, at any time, without notice. Consult the product's installation instructions for final dimensional data and other details prior to making cutout.

Warranties: Please see Use & Care manual or Bosch website for statement of limited warranty.

For more information on our entire line of products, go to www.bosch-home.com/us or call 1-800-944-2904

© BSH Home Appliances Corporation. All rights reserved. Bosch is a registered trademark of Robert Bosch GmbH.

30" Microwave Combination Oven

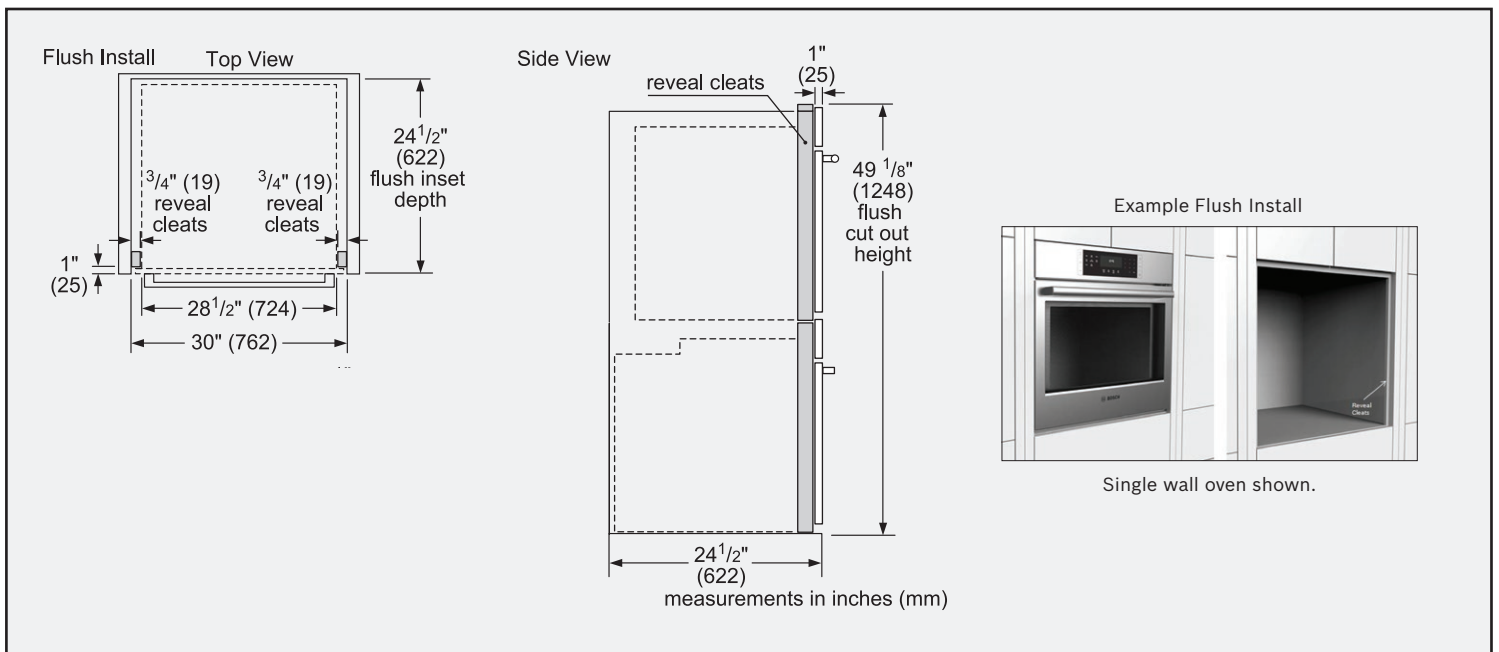
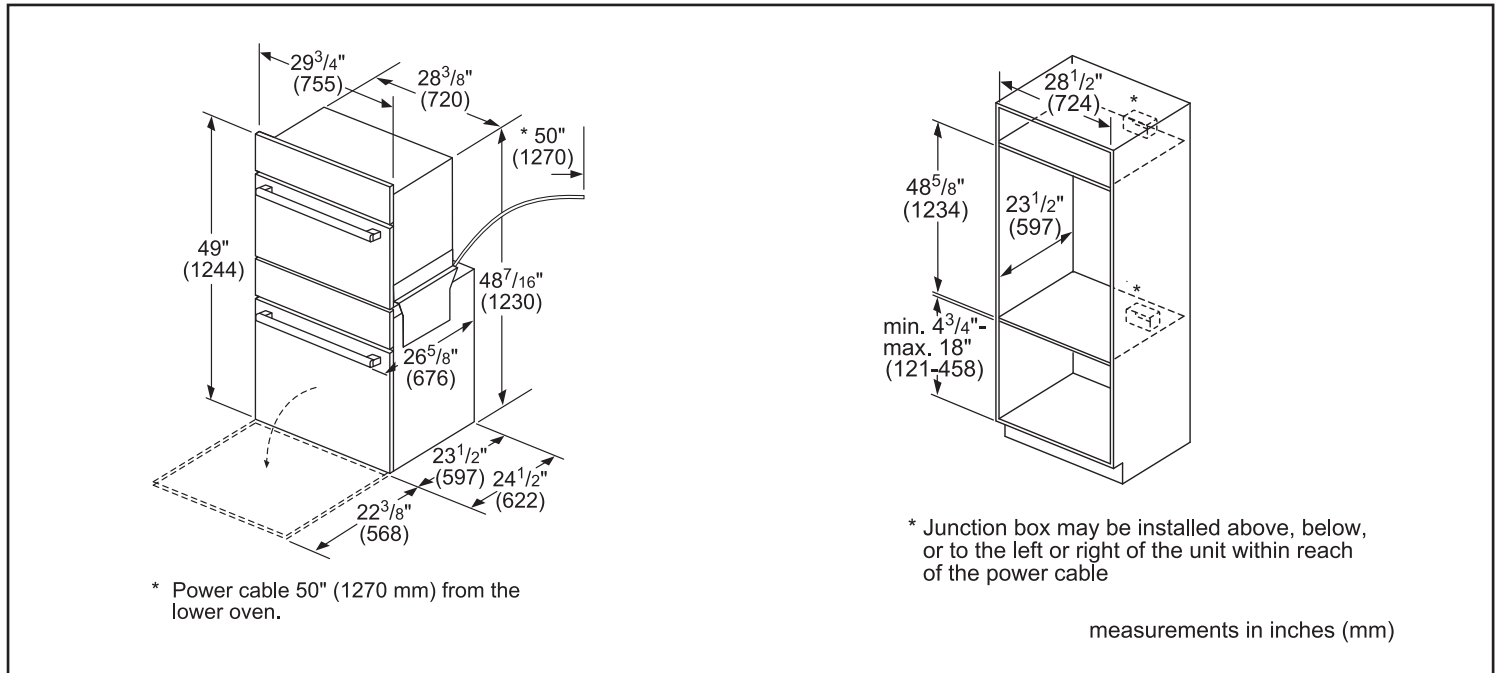
800 Series – Stainless Steel HBL87M52UC



BOSCH
Invented for life



Installation Details



Accessories: To purchase Bosch accessories, cleaners & parts please visit www.bosch-home.com/us/store or call 1-800-944-2904 (Mon to Fri 5 am to 6 pm PST, Sat 6 am to 3 pm PST).

Notes: All height, width and depth dimensions are shown in inches. BSH reserves the absolute and unrestricted right to change product materials and specifications, at any time, without notice. Consult the product's installation instructions for final dimensional data and other details prior to making cutout.

Warranties: Please see Use & Care manual or Bosch website for statement of limited warranty.

For more information on our entire line of products, go to www.bosch-home.com/us or call 1-800-944-2904

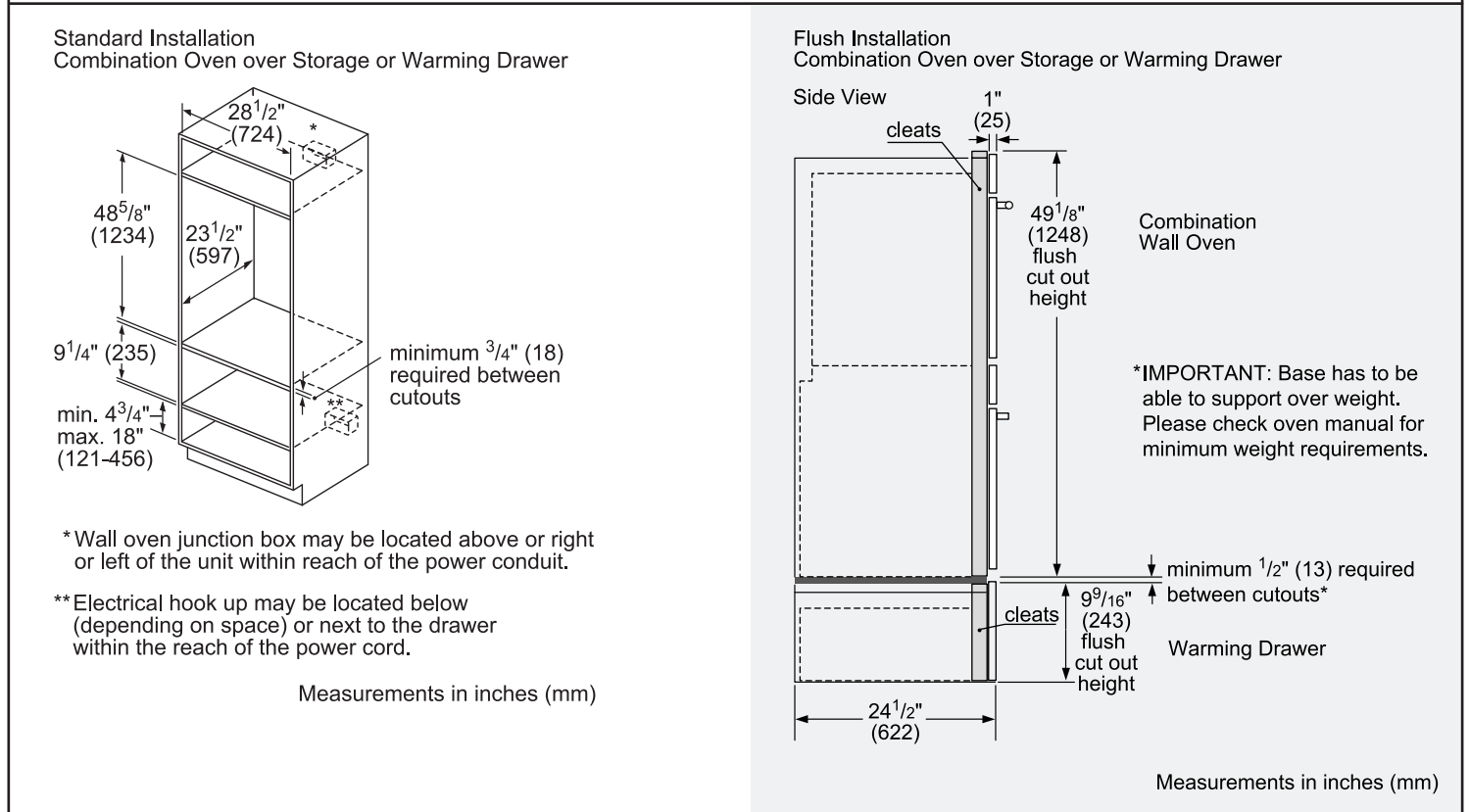
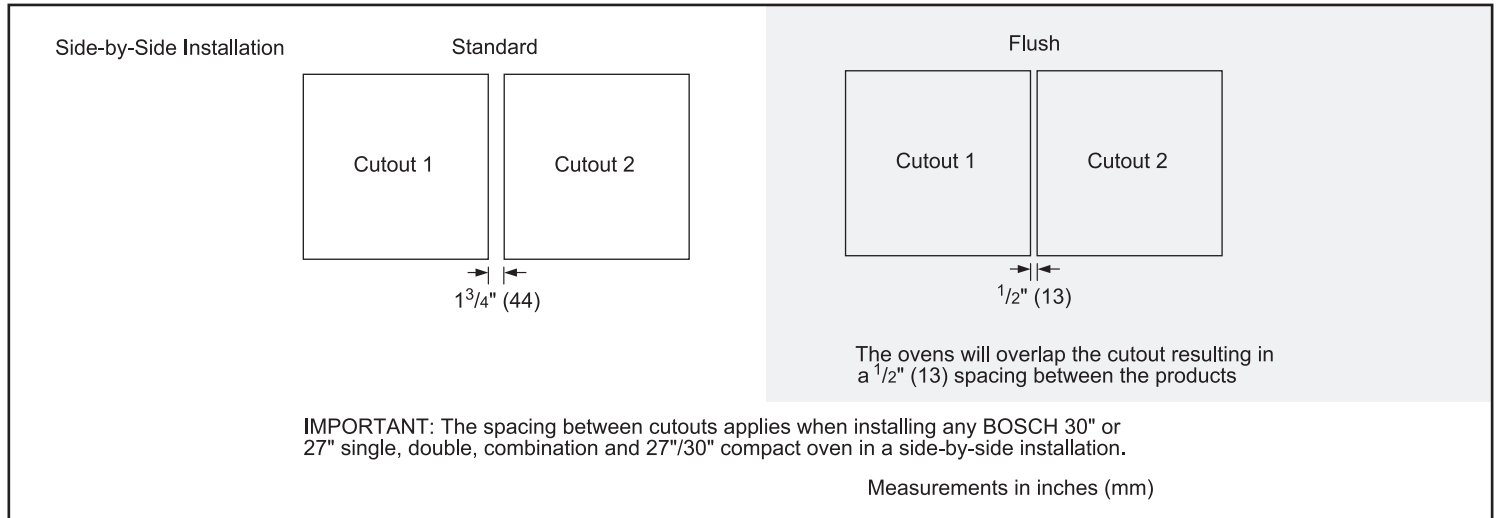
© BSH Home Appliances Corporation. All rights reserved. Bosch is a registered trademark of Robert Bosch GmbH.

30" Microwave Combination Oven

800 Series – Stainless Steel HBL87M52UC



Installation Details



Accessories: To purchase Bosch accessories, cleaners & parts please visit www.bosch-home.com/us/store or call 1-800-944-2904 (Mon to Fri 5 am to 6 pm PST, Sat 6 am to 3 pm PST).

Notes: All height, width and depth dimensions are shown in inches. BSH reserves the absolute and unrestricted right to change product materials and specifications, at any time, without notice. Consult the product's installation instructions for final dimensional data and other details prior to making cutout.

Warranties: Please see Use & Care manual or Bosch website for statement of limited warranty.

For more information on our entire line of products, go to www.bosch-home.com/us or call 1-800-944-2904

© BSH Home Appliances Corporation. All rights reserved. Bosch is a registered trademark of Robert Bosch GmbH.