



# MERCER V

## 60" x 36" Skirted Acrylic Soaker

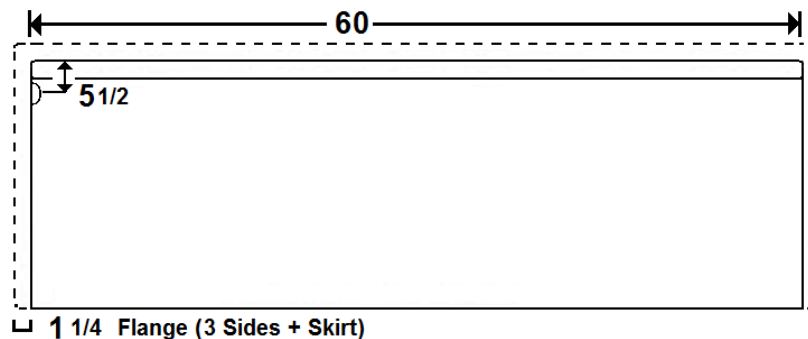
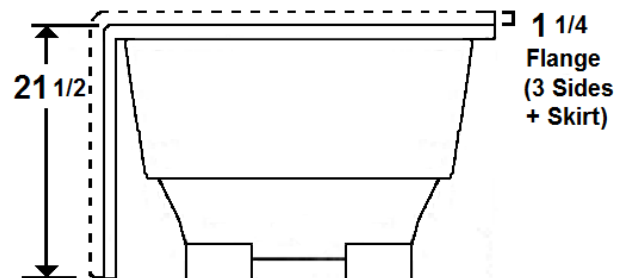
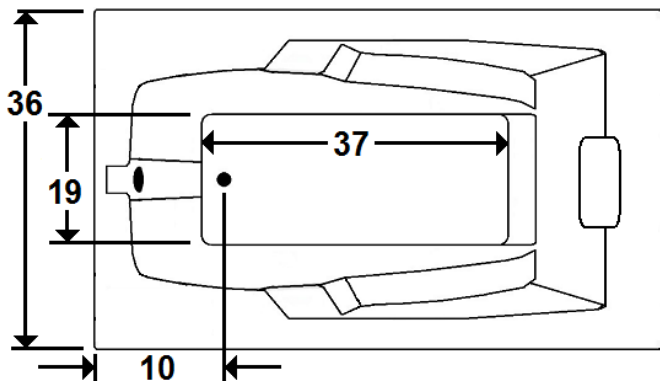
Model Number  
**3660MTR064**  
Right Hand Drain Soaker in White  
**3660MTSL064**  
Left Hand Drain Soaker in White

### Features

- Constructed of high-gloss durable acrylic
- Pillow included
- Pre-leveled base for easy installation
- Textured floor
- Radiant Heat & Inline Heater available
- Mood lights & Music system available
- Limited Lifetime Warranty
- Made in the USA



**\*All dimensions are +/- 3/8" and subject to change without notice\***  
**Confirm specifications before installation**



### Technical Information

- Weight: 100 lbs.
- Water Depth to Overflow: 15 1/4"
- Water Capacity: 58 gal.
- Sump Dimension: 37" x 19"

### Electrical Requirements.

- (Optional) LM305 Heater: 12.5 Amps
- Dedicated GFCI's required for each option



# MERCER V

**3660MTSR064**  
Right Hand Drain Soaker in White  
**3660MTSL064**  
Left Hand Drain Soaker in White

## AVAILABLE OPTIONS & UPGRADES

For current pricing, pictures, and descriptions of the Laurel Mountain options listed below, go to [www.lowes.com](http://www.lowes.com). Enter the model number of the option into the search bar at the top right of the page next to the magnifying glass. For additional information, visit [www.laurelmountainbath.com](http://www.laurelmountainbath.com) or call Laurel Mountain customer service at 800-930-0050.

### Therapeutic

#### HEATERS

**LM305 Inline Heater**

**LM302 Warm Comfort Radiant Heat**

#### OTHER THERAPIES (select one)

**LM522 Chromatherapy Mood Light**

**LM525 Wāv Music. Vibe. Lights**

### Accessories

#### WHIRLPOOL TRIM KITS

LM101 Chrome

LM102 Brushed Nickel

LM103 Bronze

#### CABLE OPERATED DRAINS

LM200 Chrome

LM201 Brushed Nickel

LM202 Bronze

LM210 White

LM211 Biscuit

#### 8" GRAB BARS

LM230 White

LM231 Biscuit

## INSTALLATION

Install this unit according to the Owner's Manual. The Owner's manual can be found at [www.laurelmountainbath.com](http://www.laurelmountainbath.com). Select "Resources" at the top of the homepage, then click on "Literature and Manuals". Scroll down the page to the Owner's Manual section then click on the "Whirlpool, Air Bath, Combo Bath" document.