



MERCER VI

72" x 36" Skirted Acrylic Air Bath

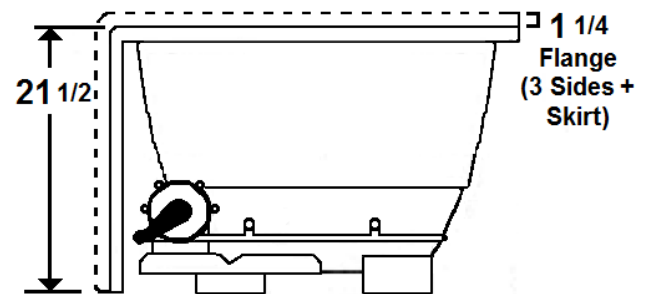
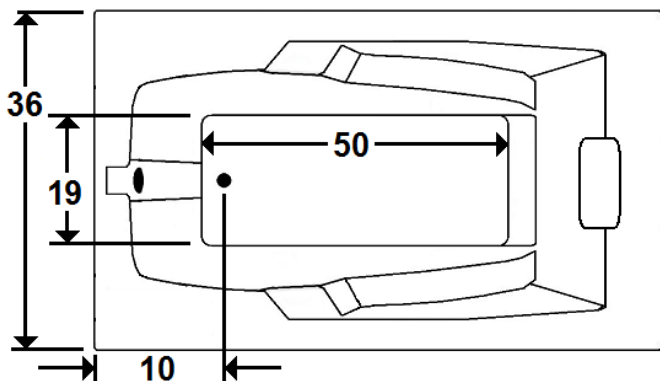
Model Number
3672MTASR064
 Right Hand Drain Air Bath in White
3672MTASL064
 Left Hand Drain Air Bath in White

Features

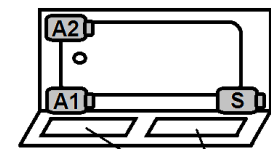
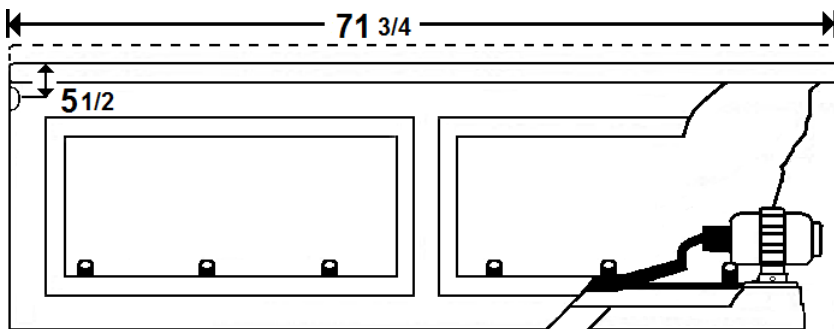
- 28 high output lateral air jets & Pillow included
- 12 Amp variable speed blower
- Constructed of high-gloss durable acrylic
- Pre-leveled base for easy installation
- Automatic purge cycle with timer
- Radiant Heat & Heater available
- Mood lights & Music system available
- Made in the USA



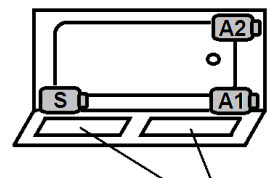
All dimensions are +/- 1/2" and subject to change without notice
Confirm specifications before installation



Standard (S) & Alternate (A-1 & A-2)
Pump locations.



Access Panels



Access Panels

Technical Information

- Weight: 145 lbs.
- Water Depth to Overflow: 15 1/4"
- Water Operating Level: NA
- Water Capacity: 71 gal.
- Sump Dimension: 50" x 19"

Electrical Requirements.

- Standard Blower: 12 Amps
- (Optional) LM305 Heater: 12.5 Amps
- (Optional) LM509 Back Massage: 5 Amps
- Dedicated GFCI's required for each options



MERCER VI

3672MTASR064
Right Hand Drain Air Bath in White
3672MTASL064
Left Hand Drain Air Bath in White

AVAILABLE OPTIONS & UPGRADES

For current pricing, pictures, and descriptions of the Laurel Mountain options listed below, go to www.lowes.com. Enter the model number of the option into the search bar at the top right of the page next to the magnifying glass. For additional information, visit www.laurelmountainbath.com or call Laurel Mountain customer service at 800-930-0050.

Therapeutic

HEATERS

LM305 Inline Heater

LM302 Warm Comfort Radiant Heat

OTHER THERAPIES (select one)

LM522 Chromatherapy Mood Light

LM525 Wāv Music. Vibe. Lights

Accessories

8" GRAB BARS

LM230 White

LM231 Biscuit

CABLE OPERATED DRAINS

LM200 Chrome

LM201 Brushed Nickel

LM202 Bronze

LM210 White

LM211 Biscuit

Design / Construction

LM545 A-1 Pump Loc

LM546 A-2 Pump Loc

INSTALLATION

Install this unit according to the Owner's Manual. The Owner's manual can be found at www.laurelmountainbath.com. Select "Resources" at the top of the homepage, then click on "Literature and Manuals". Scroll down the page to the Owner's Manual section then click on the "Whirlpool, Air Bath, Combo Bath" document.