



# MERCER VIII

## 66" x 36" Skirted Acrylic Air Bath

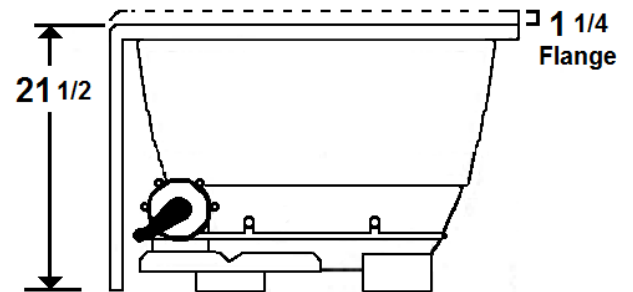
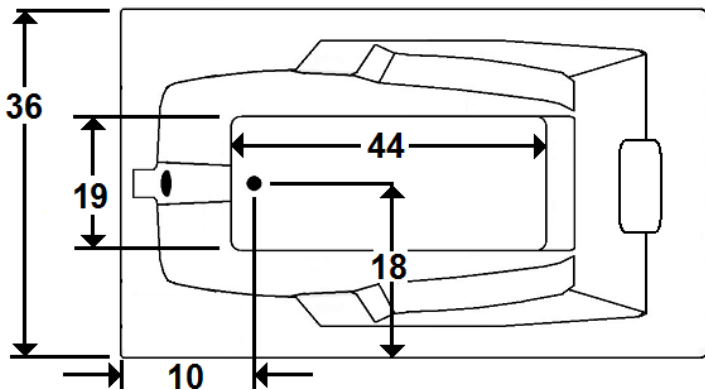
Model Number  
**3666MTASR064**  
 Right Hand Drain Air Bath in White  
**3666MTASL064**  
 Left Hand Drain Air Bath in White

### Features

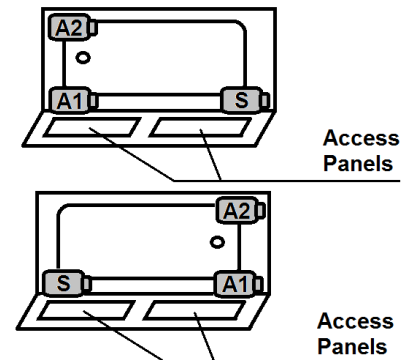
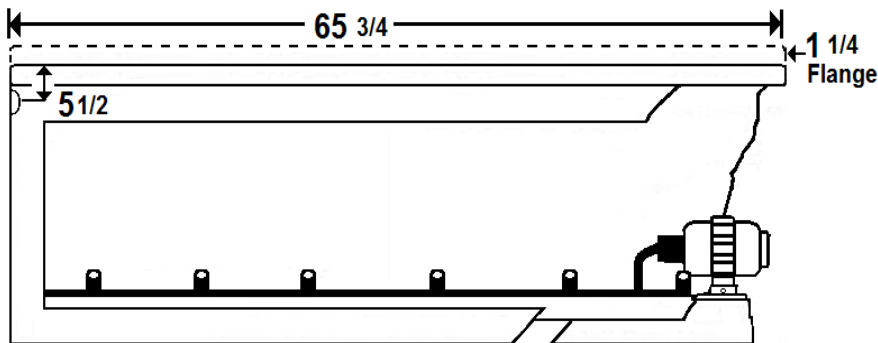
- 24 high output lateral air jets & Pillow included
- 12.0 Amp variable speed blower
- Constructed of high-gloss durable acrylic
- Pre-leveled base for easy installation
- Automatic purge cycle with timer
- Radiant Heat & Heater available
- Mood lights & Music system available
- Made in the USA



**\*All dimensions are +/- 1/2" and subject to change without notice\***  
**Confirm specifications before installation**



Standard (S) Blower Location and Alternate (A-1 & A-2) Blower locations.



### Technical Information

- Weight: 140 lbs.
- Water Depth to Overflow: 14"
- Water Operating Level: 47 gal.
- Water Capacity: 64 gal.
- Sump Dimension: 44" x 19"

### Electrical Requirements.

- Standard Blower: 12 Amps
- (Optional) LM305 Heater: 12.5 Amps (120V)
- (Optional) LM509 Back Massage: 5 Amps
- Dedicated GFCI's required for each options



# MERCER VIII

**3666MTASR064**  
Right Hand Drain Air Bath in White  
**3666MTASL064**  
Left Hand Drain Air Bath in White

## AVAILABLE OPTIONS & UPGRADES

For current pricing, pictures, and descriptions of the Laurel Mountain options listed below, go to [www.lowes.com](http://www.lowes.com). Enter the model number of the option into the search bar at the top right of the page next to the magnifying glass. For additional information, visit [www.laurelmountainbath.com](http://www.laurelmountainbath.com) or call Laurel Mountain customer service at 800-930-0050.

### Therapeutic

#### HEATERS

**LM305 Inline Heater**

**LM302 Warm Comfort Radiant Heat**

#### OTHER THERAPIES (select one)

**LM522 Chromatherapy Mood Light**

**LM525 Wāv Music. Vibe. Lights**

### Accessories

#### **8" GRAB BARS**

LM230 White

LM231 Biscuit

#### **CABLE OPERATED DRAINS**

LM200 Chrome

LM201 Brushed Nickel

LM202 Bronze

LM210 White

LM211 Biscuit

### Design / Construction

**LM545 A-1 Pump Loc**

**LM546 A-2 Pump Loc**

## INSTALLATION

Install this unit according to the Owner's Manual. The Owner's manual can be found at [www.laurelmountainbath.com](http://www.laurelmountainbath.com). Select "Resources" at the top of the homepage, then click on "Literature and Manuals". Scroll down the page to the Owner's Manual section then click on the "Whirlpool, Air Bath, Combo Bath" document.