



SENECA IV

60" x 42" Skirted Non-Drain Side Acrylic Soaker

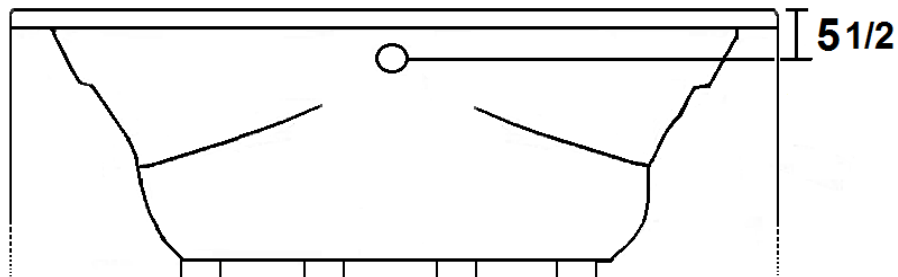
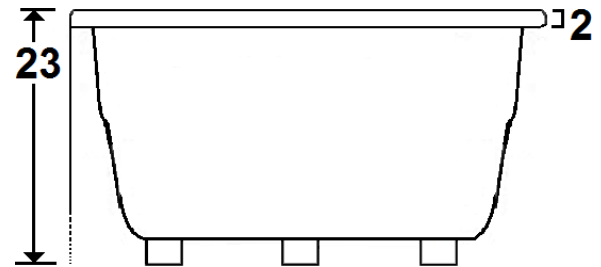
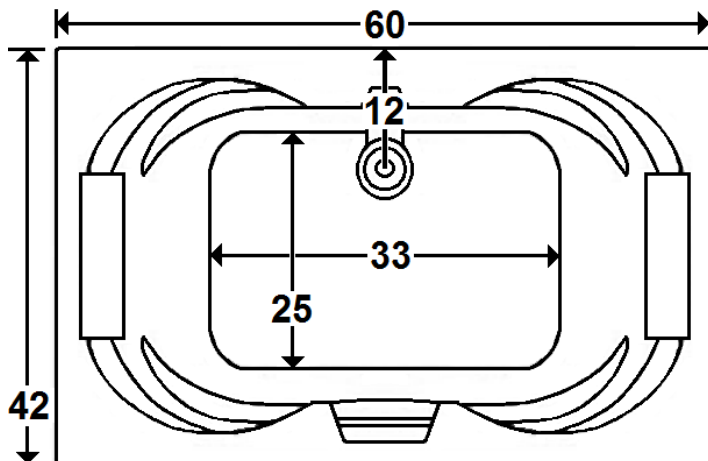
Model Number
4260STSN064
Skirted Soaker in White

Features

- Constructed of high-gloss durable acrylic
- Pillows included
- Pre-leveled base for easy installation
- Textured floor
- Heater available – LM305
- Mood light available – LM522
- Made in the USA



All dimensions are +/- 1/2" and subject to change without notice
Confirm specifications before installation



Technical Information

- Weight: 245 lbs.
- Water Depth to Overflow: 16 3/4"
- Water Capacity: 90 gal.
- Sump Dimension: 38" x 25"

Electrical Requirements.

- (Optional) LM305 Heater: 12.5 Amps (120V)
- Dedicated GFCI's required for each option

SENECA IV

4260STSN064
Skirted Soaker in White

Acrylic Tub

This Traditional style skirted tub includes a sloped backrest, integral arm rests and removable pillow. Other standard features include a textured floor, and premium reinforcement. This tub is made in the USA and is available in white, bone, biscuit, almond, and linen.

Laurel Mountain enables you to enhance your bathing experience by offering a broad range of options to customize your bath. The options available on this bath are shown below.

AVAILABLE OPTIONS & UPGRADES

For Pricing, visit the "Help" page at www.laurelmountainwhirlpools.com. Download the Price book. For pictures and descriptions of options, go to www.laurelmountainwhirlpools.com and click "options" tab found at the bottom of the website.

Therapeutic

LM305 12.5 Amp Water Heater (120V)

LM522 Chromatherapy Mood Light

Accessories

DEEP SOAK DRAINS

LM200 Chrome

LM210 White

LM201 Brushed Nickel

LM211 Biscuit

Design / Construction

LM549 Tile Flange (non-drain side)

LM542 Plastic Flange

INSTALLATION

Install this unit according to the Owner's Manual. The Owner's manual can be found by visiting the "Help" page at www.laurelmountainwhirlpools.com. Under "Relevant Links" on the left side of the page, click "Owner's Manual". Then click "Colony Owner's Manual".