



WHITWELL
62 x 33 x 79
Zero Threshold Shower

Drain	Model #
C	LM6233BFR064

Features

- Barrier free, easy entry, wheelchair accessible threshold.
- Patented, pre-leveled base with **ArmorCore** reinforcement, and textured finish floor.
- Includes collapsible dam with end caps, stainless steel curtain rod, weighted shower curtain, chrome plated brass drain, and 2 integral shelves.
- Simple, easy 1 piece installation from front
- Factory installed white, fold-up seat with stainless steel support, and 2 stainless steel grab bars reinforced with wood backing.
- Premium, durable applied acrylic/fiberglass construction
- Attractive and easy to clean
- Meets or exceeds UPC, IPC, ANSI Z124.1, NAHB, & SBC
- Made in the USA with a lifetime limited warranty



Components Included

★ Stainless Steel Curtain Rod



★ Two Stainless Steel Grab Bars

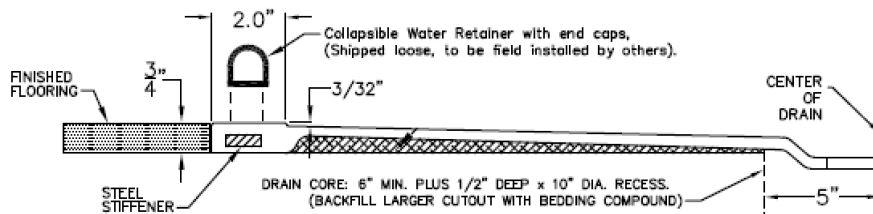


★ Chrome Plated Brass Drain

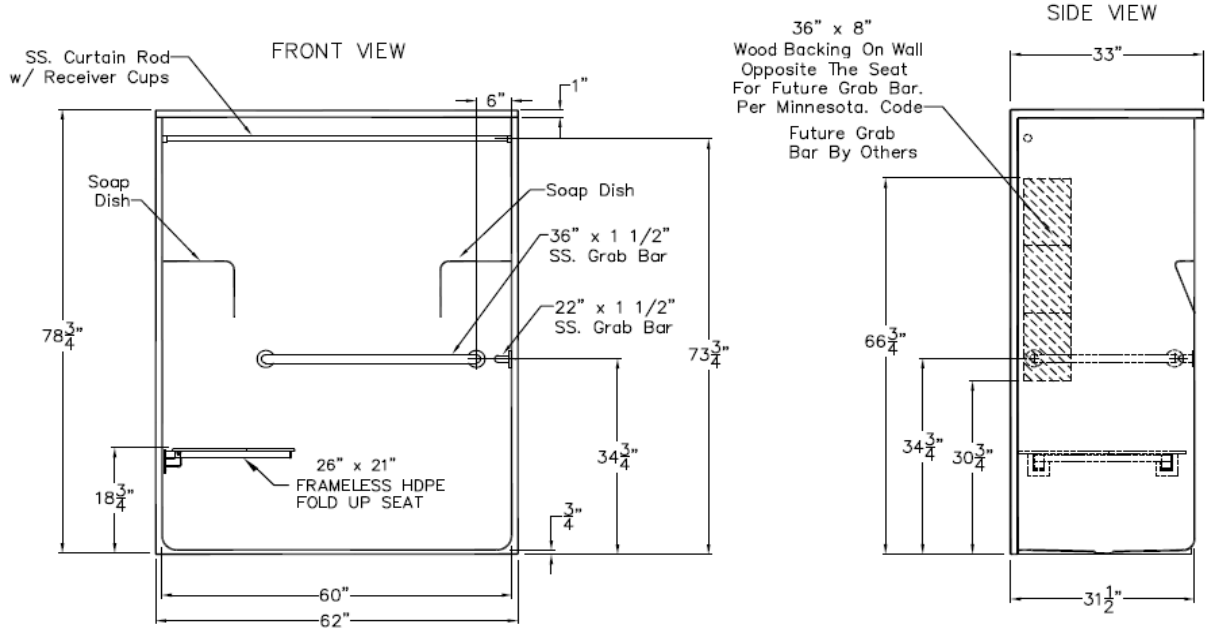


★ Padded Seat

CROSS SECTION OF THRESHOLD



SUBMITTAL DATA



Roll-In Shower Stall

The shower enclosure shall be Laurel Mountain Model LM 6233 BF center, right or left. Finished surface shall be of a sanitary-grade applied Acrylic exhibiting a minimal thickness of 15 dry mils, and a finished cured Barcol hardness of 80-90 as tested with ASTM D-2583. Unit construction shall be of molded reinforced fiberglass with a 15% minimum fiberglass content. The unit shall have outside dimensions of 62" x 33" x 78 3/4". The base shall be attached to the sump in such a manner to form an integral part with an inner and outer coating of reinforced polyester resin. The unit shall meet ANSI A117.1, CSA B45.5-11, ADA, HUD, BOCA, Home Innovation Research Lab, IAPMOZ124-2011, and shall meet the requirements of Southern Building Code.

The enclosure shall be equipped with the following installed accessories:

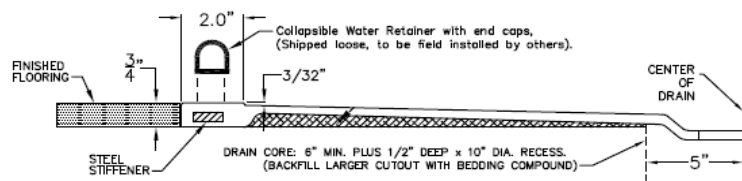
- 1) One 36" x 1 1/2" diameter, stainless steel grab bar, 2) One 22" x 1 1/2" diameter stainless steel grab bar, both with 1 1/2" statute clearance, mounted with stainless steel bolts and secured from the rear with a 3" x 3" x 11 gauge metal mounting plate, 3) Factory installed 26" x 21" frameless HDPE fold up seat, 4) One inch diameter, 18 gauge stainless steel curtain rod with receiver cups, 5) Premium weighted shower curtain, 6) Collapsible water retainer with end caps (shipped loose, to be field installed by others), (7) Molded corner soap dishes, 8) Wood on side wall opposite the seat future vertical grab bar, (Bar By Others), 9) Tri-Cell backing, 10) 3/4" Threshold.

NOTE: ROOM FLOOR MUST BE BUILT UP TO BE EVEN WITH TOP OF SHOWER THRESHOLD FOR A NON RECESS INSTALLATION OF THIS UNIT. (CODE COMPLIANCE. SEE BELOW)

THIS UNIT FEATURES THE OUTSIDE DIMENSIONS OF 62" OF OVERALL WIDTH. THIS DOES NOT ALLOW FOR FULL ENCLOSURE OF THE BOLTS THAT ARE USED TO SECURE THE BARS AND SEAT IN PLACE. THE BOLT AND NUT COMBINATION SHOULD NOT PROTRUDE ANY MORE THAN 3/4" ON EITHER SIDE OF THE SHOWER WALLS. THIS MAY REQUIRE THE NEED TO NOTCH STUDS TO ALLOW BOLT CLEARANCE FOR INSTALLATION.

FOR A DRY WALL ENCLOSED FIRE WALL INSTALLATION, ADJUSTMENT OF THE WALLBOARD MAY BE NECESSARY TO PROVIDE CLEARANCE OF THE BOLT (S) WHILE MAINTAINING THE INTEGRITY OF THE DRYWALL ENCLOSED FIRE WALL ENCLOSURE.

NOTE: THIS UNIT WILL NOT ACCEPT A DOOR!



DUE TO THE NATURE OF THE MATERIALS DIMENSIONS MAY VARY ± 1/2"

LAUREL MOUNTAIN

Drawing#: LM 6233 BF .75

Date: 10-8-08

Revised: 1-8-19

Whitwell