

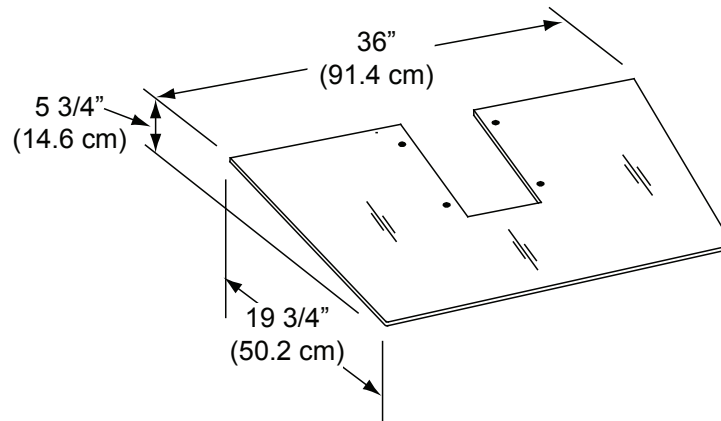
Glass for Wall Mount Range Hood



Revised 11/18/10

www.Dacor.com

Model: PHG36



Glass thickness: 5/16" (3 mm)

Mounts to bottom of model PHW range hood blower assembly.
Shown at angle that it mounts to the blower assembly.

Important: Dacor reserves the right to change specifications without notice. Dimensions provided are for reference only. Before installation, consult the installation instructions accompanying each product prior to selecting cabinetry, making cutouts or starting installation.