

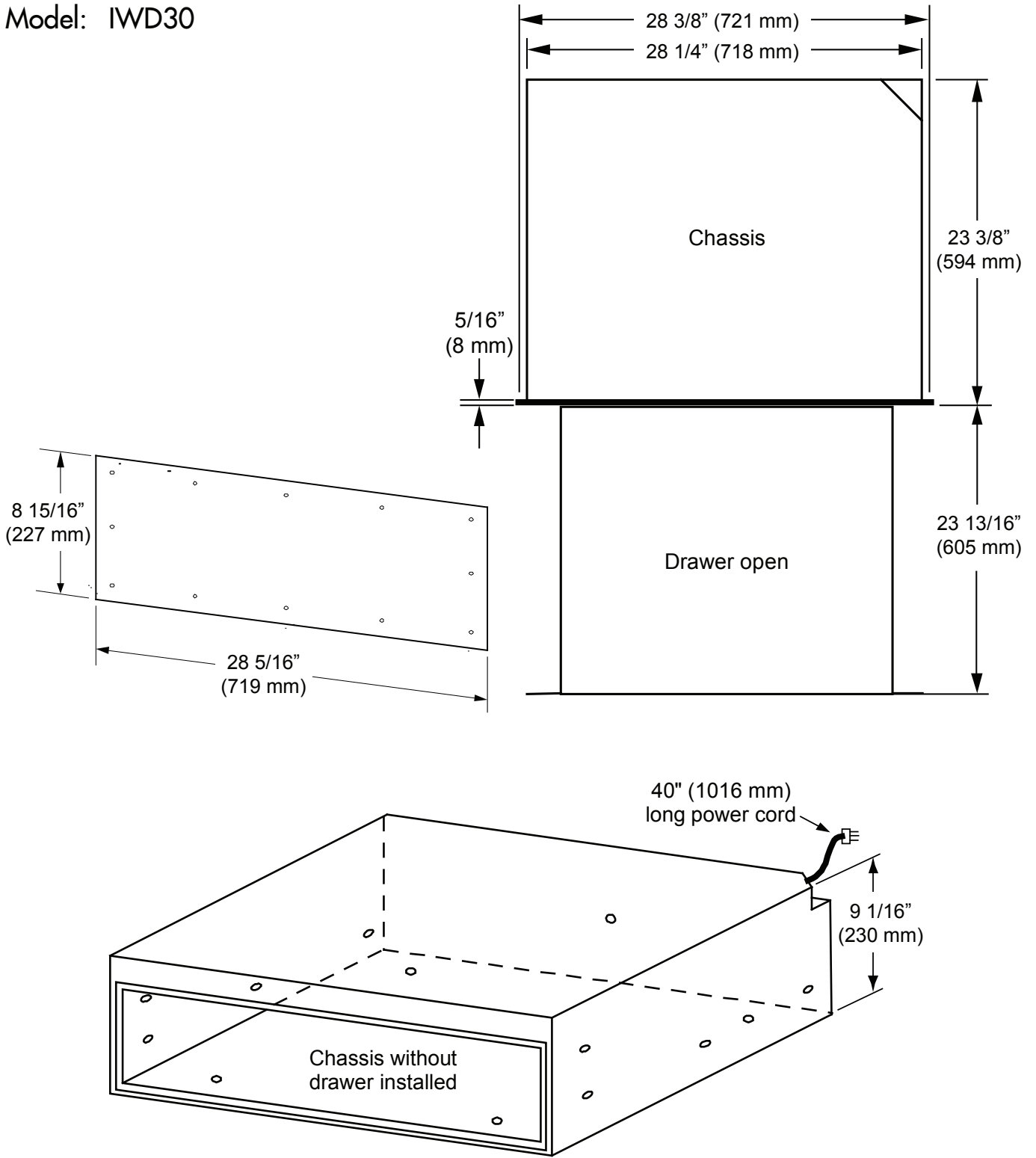
Warming Drawer



Revised 11/22/10

www.Dacor.com

Model: IWD30



Important: Dacor reserves the right to change specifications without notice. Dimensions provided are for reference only. Before installation, consult the installation instructions accompanying each product prior to selecting cabinetry, making cutouts or starting installation.