

DDW24S

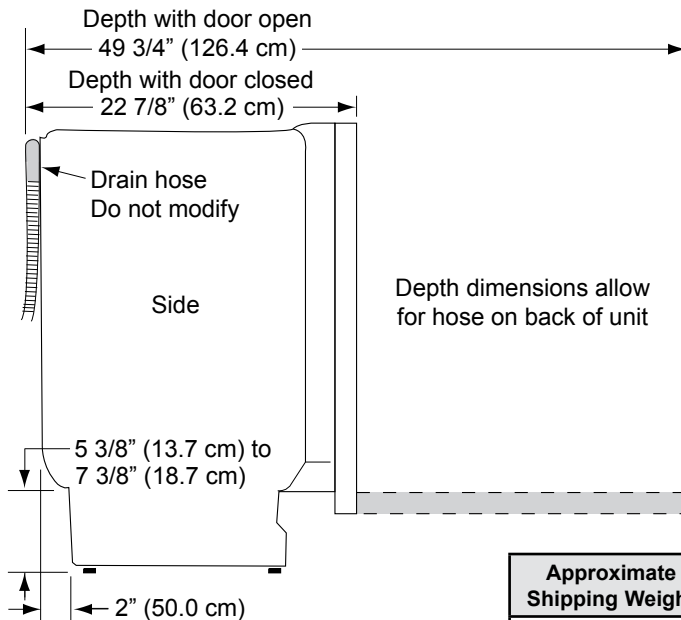


Distinctive™ 24" Wide Built-In Dishwasher

PLANNING GUIDE

Product Dimensions

Product tolerances: ±1/16" (±1.6 mm) otherwise stated



Approximate Shipping Weight
117 lbs. (53 kg.)

⚠ WARNING

- Observe all governing codes and ordinances during planning and installation. Contact your local building department for further information.
- This appliance must be installed in accordance with the accompanying installation instructions.

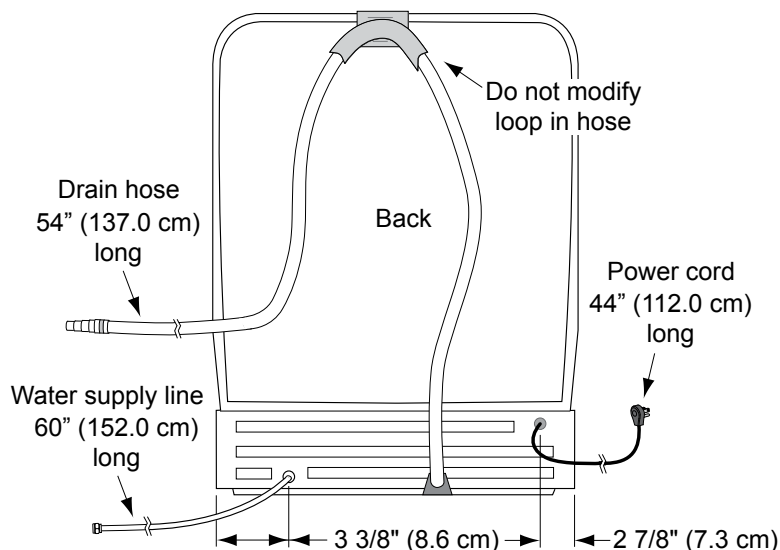
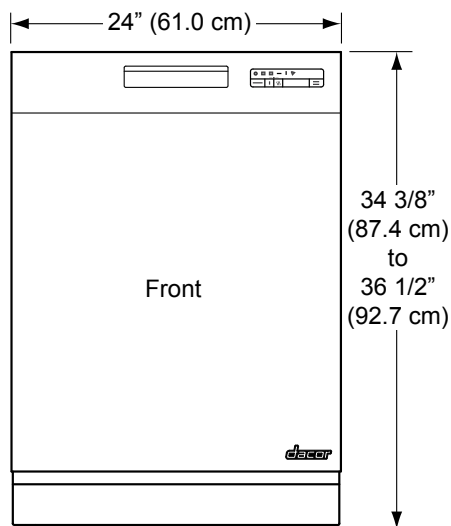
Electrical Specifications

Dedicated Circuit Required	Total Connected Load
Grounded, 3-prong, electrical outlet supplied by 120 Vac, 60 Hz, 15 Amp. (circuit breaker)	11 Amp. @ 120 Vac, 60 Hz.

- The above specifications are for reference only. For exact specifications see the product data label, located inside the right door jamb.
- Do not modify the power cord or use an extension cord. The power cord may be disconnected from the appliance and hard-wired to a junction box connected to a circuit meeting the above specifications if the power cord is not long enough.

Water Supply Specifications

- **Water Pressure:** 4.2 to 140 psi (30-1000 kPa) with minimum water flow of 3 gallons (12 liters) per minute.
- **Water Supply Temperature:** The dishwasher can be connected to a cold or hot water supply (maximum 160°F, 70°C). Dacor recommends using a hot water supply of 120°F (49°C) to 140°F (60°C). If a cold water supply is used, the washing times will be longer, but the performance will not be affected.
- **Water Supply Valve Requirement:** 3/8" water supply valve for connection to dishwasher's water supply line is required in a location where it is easily accessible after the dishwasher is installed. The dishwasher water supply line is equipped with a 3/8" (1.0 cm) NPT female compression fitting on the end.



UTILITY CONNECTION DIMENSIONS

DDW24S

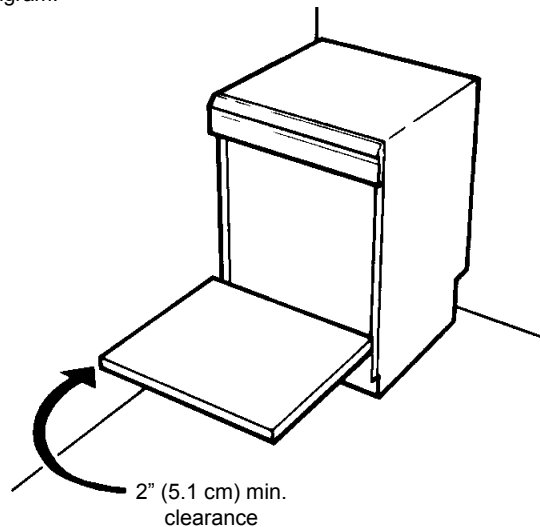


Distinctive 24" Wide Built-In Dishwasher

PLANNING GUIDE

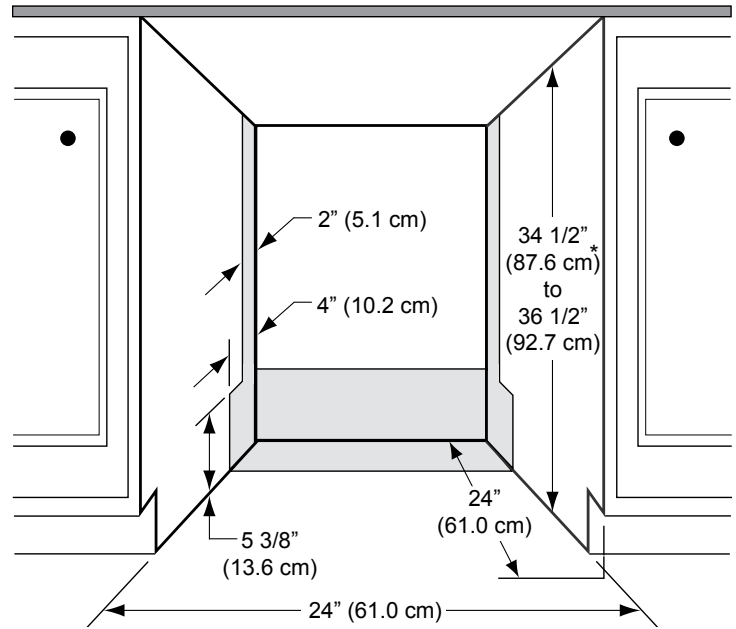
Location Specifications

- Carefully check the location where the dishwasher is to be installed. Put it in a location with convenient access, close to the kitchen sink for easy water supply and drain connection.
- The cabinet must enclose the dishwasher on top, back and sides.
- If dishwasher is installed in a corner, there must be a minimum clearance of 2" (5.1 cm) from the side wall so the door can open. See diagram.



- Floor must be solid and level. All cutout surfaces must be at right angles. Surrounding cabinet must have sufficient material for attachment of the anti-tip brackets (see installation instructions).
- Plan the installation so that the appliance can be removed easily if service is required. The electrical outlet/junction box, water supply valve and drain connection must be installed to the right or left of the unit and accessible when dishwasher is installed. Plan the utility connections so that they can be disconnected without removing the dishwasher from the cutout.
- The power cable, the drain hose and water supply line must enter through one or both of the shaded locations shown above right.
- The access hole(s) in the cabinet for the power cord and water line shall be no bigger than 1-1/2" (3.8 cm) in diameter. The access hole for the drain hose shall be no bigger than 2" (5.0 cm) in diameter. The access holes for all three must be round and smooth. If the partition is metal, it needs to be covered with an edge protector. Call Dacor for the part number of an approved edge protector.

Cutout tolerances: +1/16" (+1.6 mm), -0



DISHWASHER CUTOUT - FRONT VIEW

* If the height of the existing cutout is too low:

- Check to see if the cabinet face can be trimmed at the top. In many cases, when a non-standard size dishwasher has been installed previously, there is enough room inside the cabinet once the cabinet face is modified.
- The dishwasher can be shortened 1/4" (6.0 mm) by not installing the plastic feet provided with the unit. Extra care must be taken if the feet are not installed. Dacor is not responsible for floor damage during installation.
- The dishwasher can be shortened 1/4" (6.0 mm) by removing the trim pieces that surround the wash compartment opening. **NOTE:** Doing so will create a gap of 1/4" (6.0 mm) on the right and left side of the door.


DDW24S

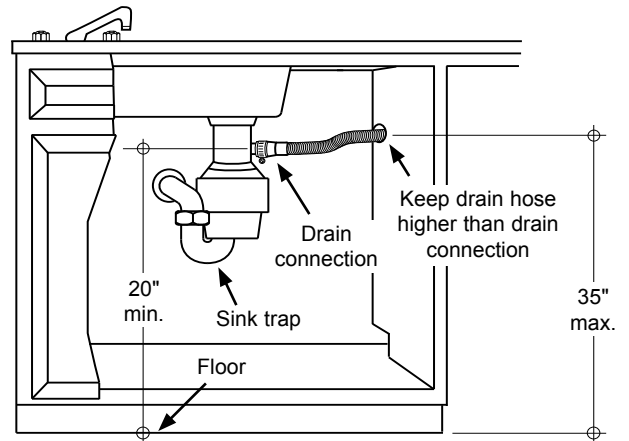


Distinctive 24" Wide Built-In Dishwasher

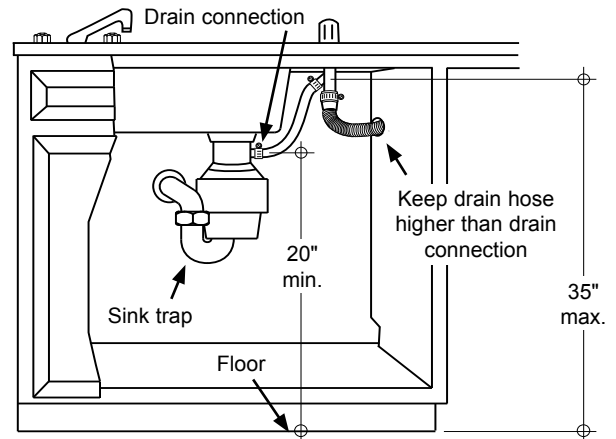
PLANNING GUIDE

Drain Specifications

- For proper drainage, the drain line connection must be a minimum of 20" (50.8 cm) above the bottom of the dishwasher. No part of the drain hose can be lower than the disposer or waste tee connection or higher than 35" (88.9 cm) from the bottom of the dishwasher.
- The drain hose supplied with the dishwasher must be connected to a minimum 1/2" inside diameter drain connection. The drain hose is equipped with a cone-shaped connector on the end that is ready to be cut to the desired drain connection size. Only a clamp (not provided) is required. It fits drain connections with an internal diameter of 1/2, 5/8, 3/4 and 7/8 inches (1.3, 1.6, 1.8 and 2.2 cm). 
- Should a drain hose longer than the one provided be required, use a hose extension approved for detergents and high temperature water.
- Total drain hose length (including factory installed hose) must not exceed 10 feet. (304.8 cm) from the top of the drain loop on the back of the unit. Joints and joint tubes must have a minimum inside diameter of 7/8" (2.2 cm).
- Install an air gap in the drain system if required by local codes. Plan the air gap location on the countertop area adjacent to the dishwasher. A section of drain hose (not provided) needs to be installed from the air gap to the drain connection.
- If an air gap is not required, the drain hose must be installed to a disposer inlet or waste tee above the drain trap in the household plumbing.



EXAMPLE OF DRAIN CONNECTION WITHOUT AIR GAP



EXAMPLE OF DRAIN CONNECTION WITH AIR GAP