



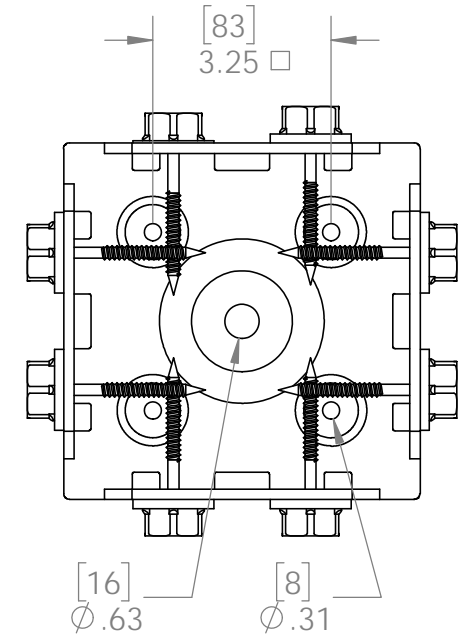
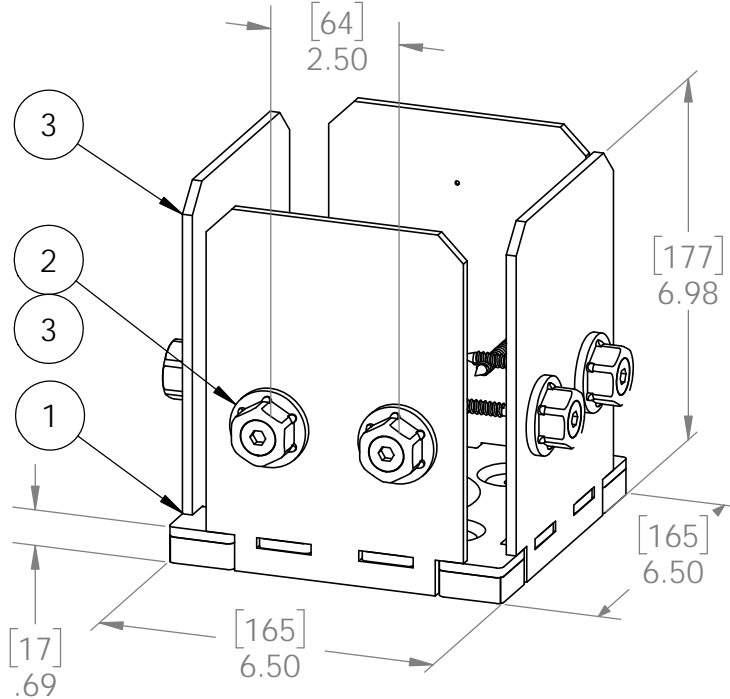
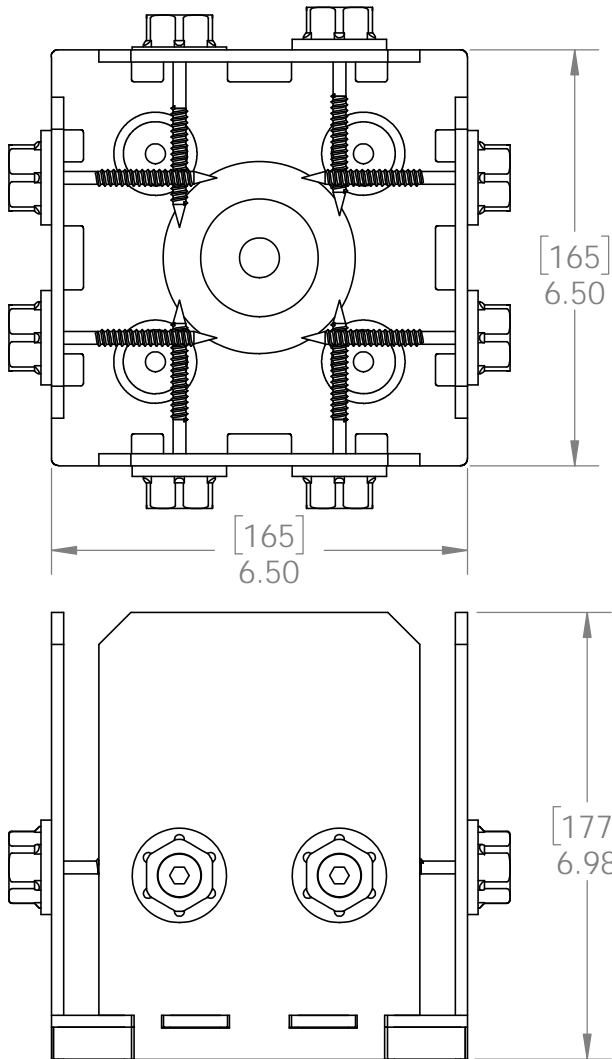
OZCO BUILDING PRODUCTS

# Product & Packaging Specs

## 6x6 Post Base (6x6-PB-IW)

Item #: 51708

ITEM NO.	QTY.	PART NUMBER	DESCRIPTION
1	1	56608-11	Assembly, 6x6 Stand Off
2	0.8	56621	1 1/2" Hex Cap Nut (HCN)
3	4	51708-15	Plate, 6x6 Side Compression
4	0.32	56626	OWT Timber Screw 2-3/4"



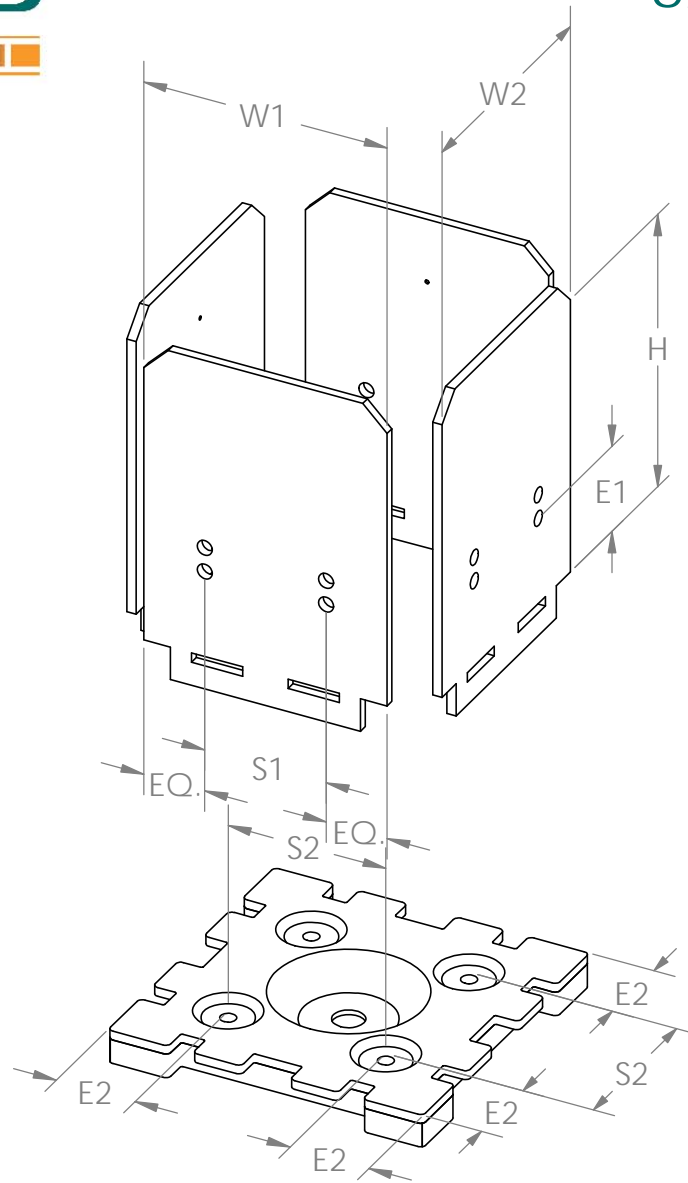
Weight: 9.87 LBS  
 Scale: 1:3  
 Last updated: 4/29/2016

51708

# Product & Packaging Specs

## 6x6 Post Base (6x6-PB-IW)

Item #: 51708



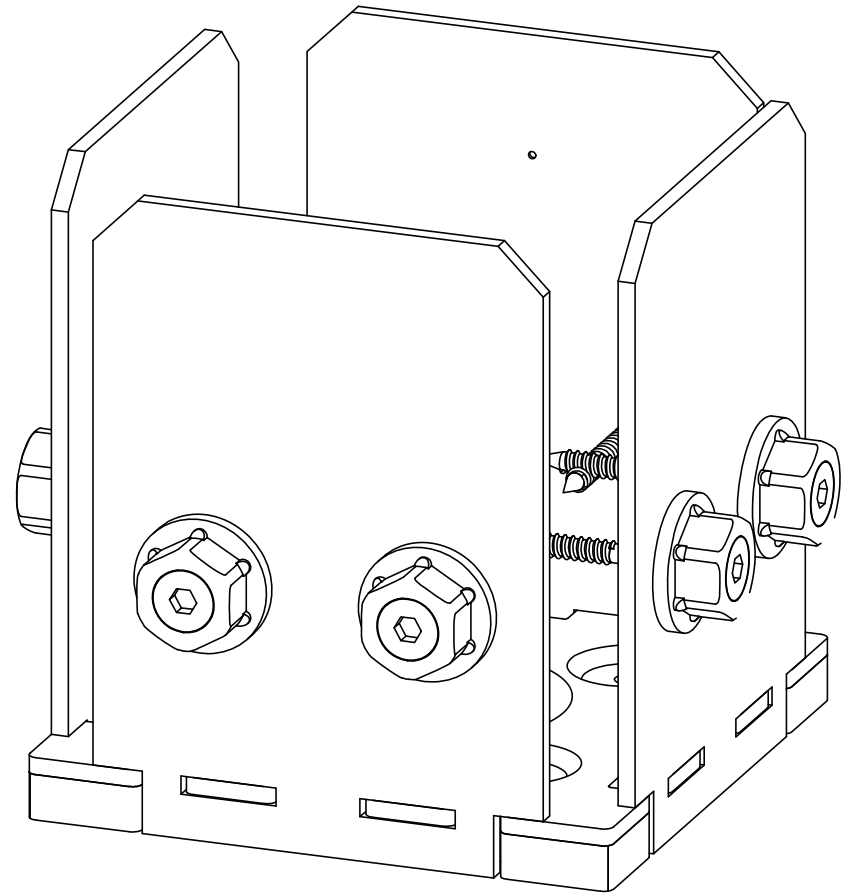
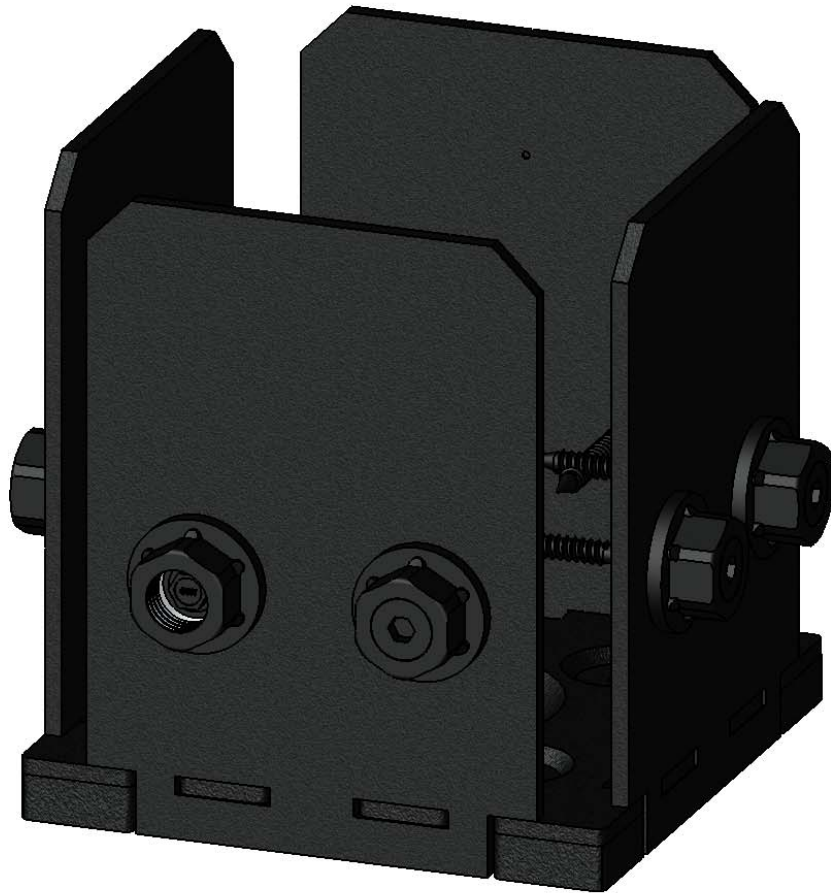
Weight: 9.38 LBS  
 Scale: 1:2  
 Last updated: 4/29/2016

51708

# Product & Packaging Specs

## 6x6 Post Base (6x6-PB-IW)

Item #: 51708



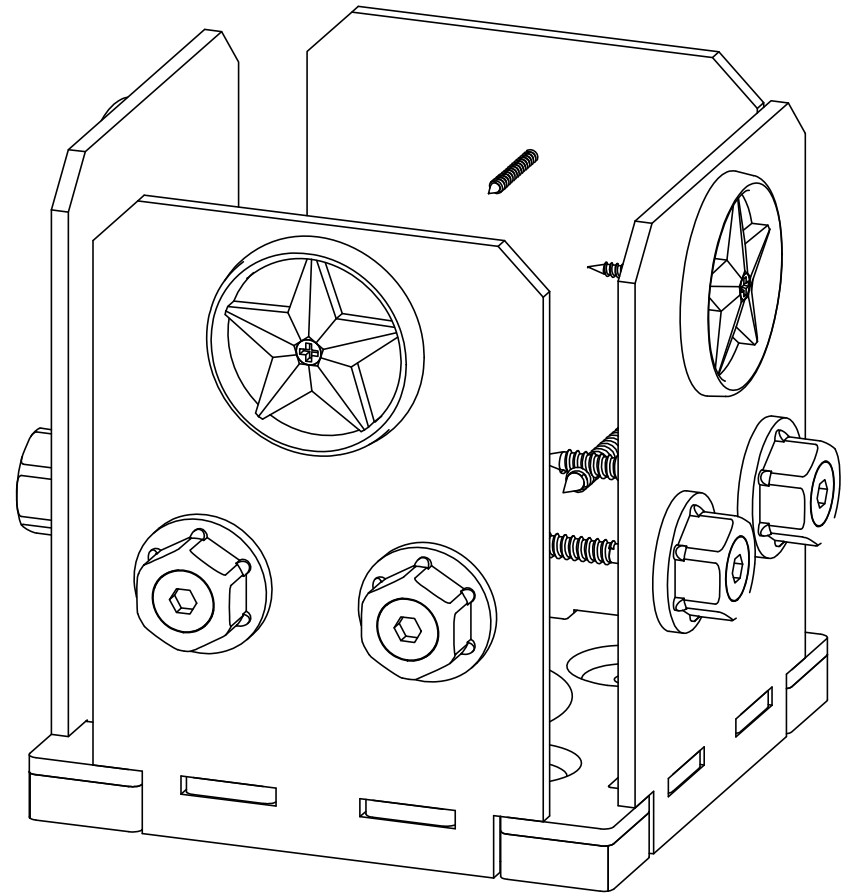
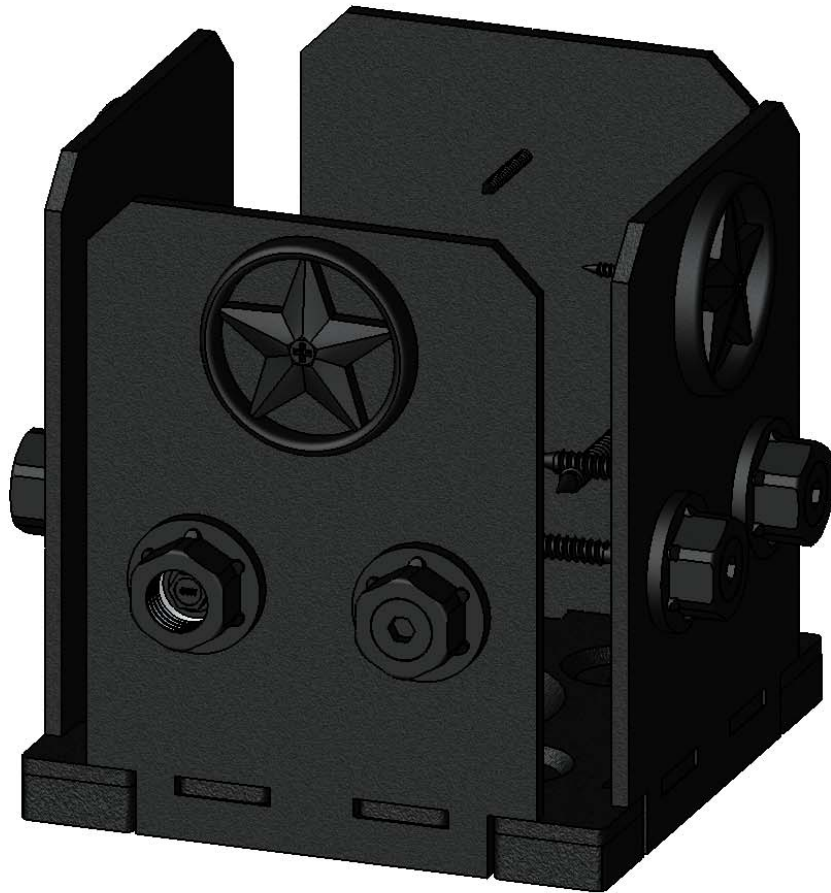
Weight: 9.38 LBS  
Scale: 1:2  
Last updated: 4/29/2016

51708

# Product & Packaging Specs

## 6x6 Post Base (6x6-PB-IW)

Item #: 51708



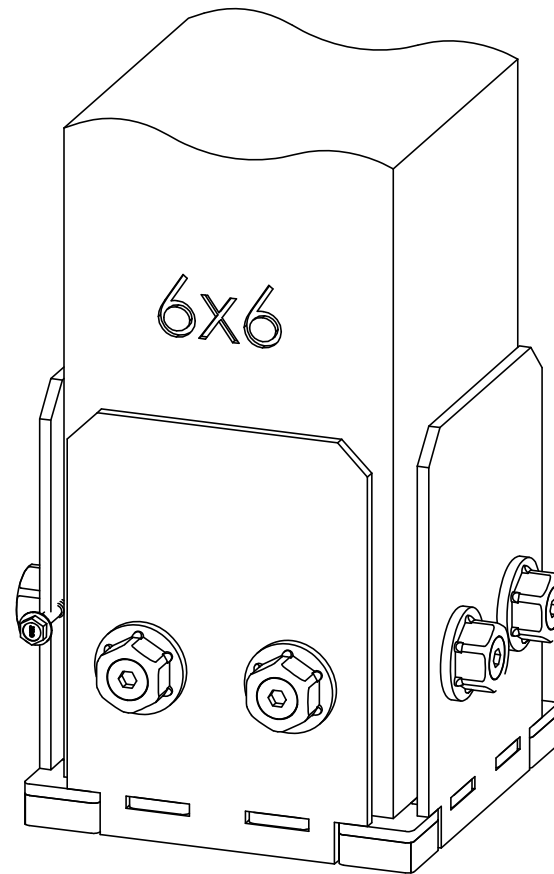
Weight: 9.38 LBS  
Scale: 1:2  
Last updated: 4/29/2016

51708

# Product & Packaging Specs

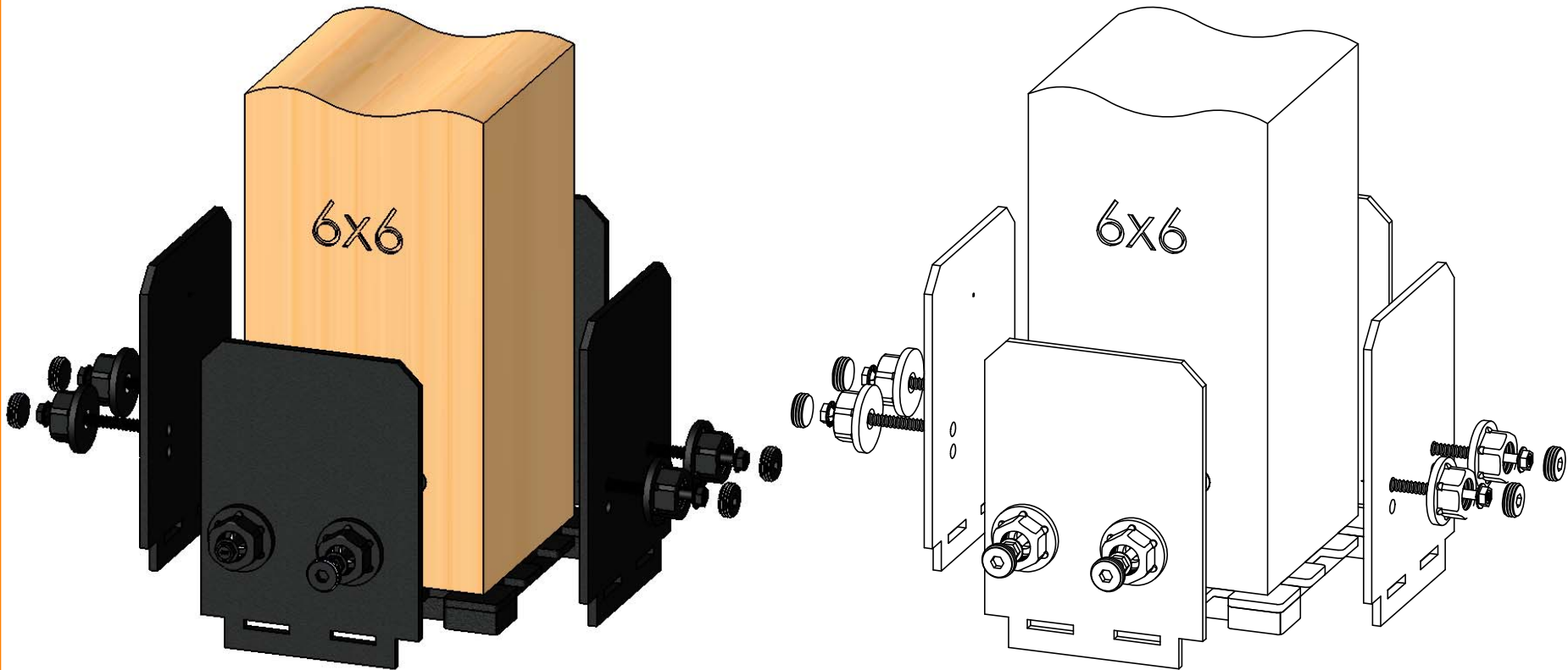
## 6x6 Post Base (6x6-PB-IW)

Item #: 51708



Weight: 9.38 LBS  
Scale: 1:3  
Last updated: 4/29/2016

51708



Weight: 9.38 LBS  
Scale: 1:3.5  
Last updated: 4/29/2016

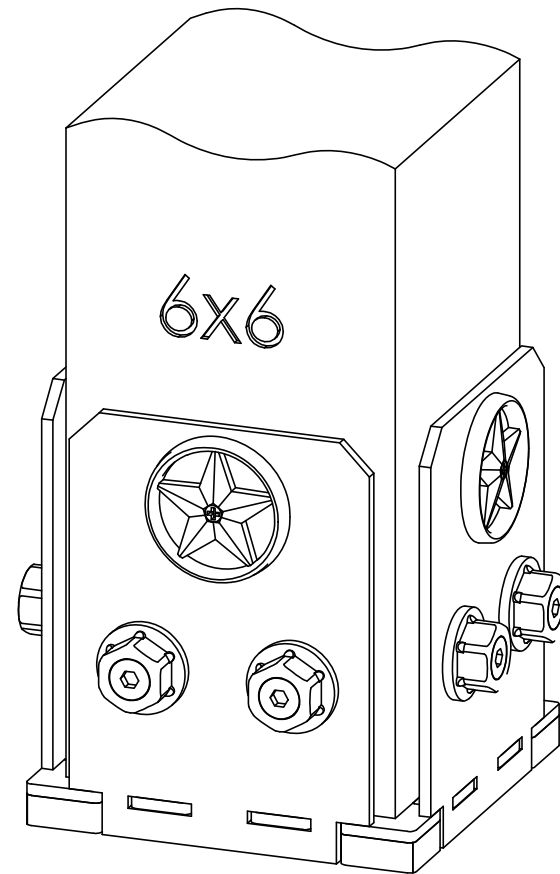
51708



# Product & Packaging Specs

## 6x6 Post Base (6x6-PB-IW)

Item #: 51708



Weight: 9.38 LBS  
Scale: 1:3  
Last updated: 4/29/2016

51708