

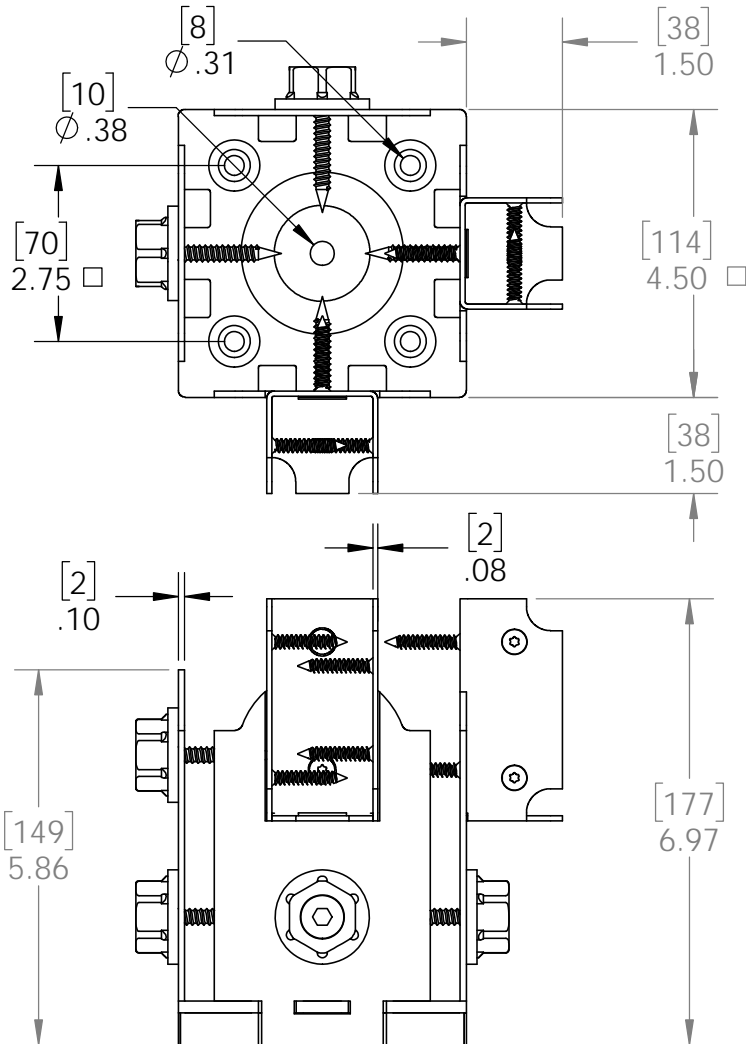


OZCO BUILDING PRODUCTS

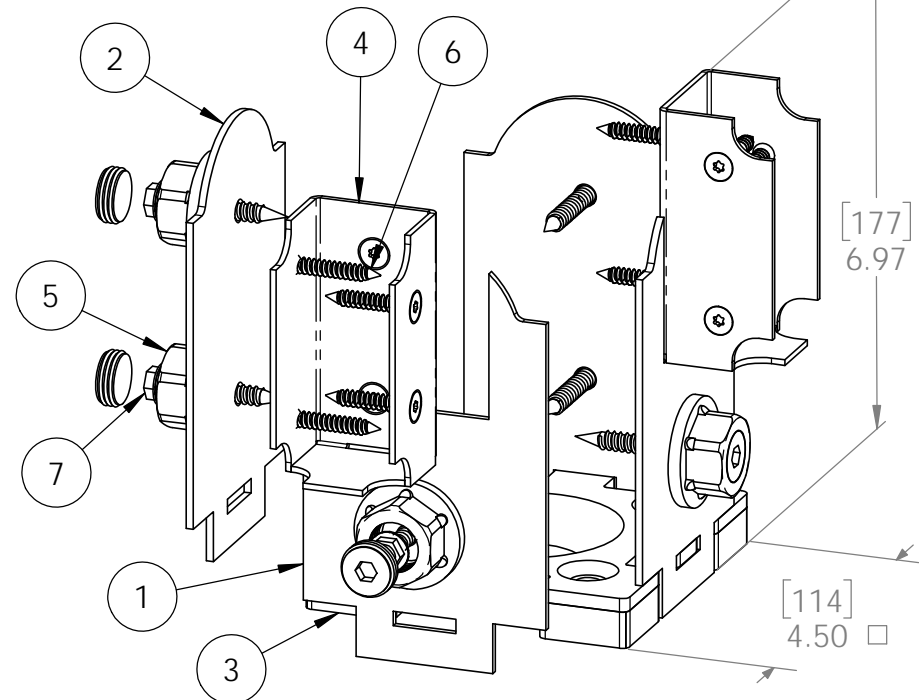
# Product & Packaging Specs

## 4x4 Post Base with 2 Rail Saddles (4X4-TRS-LS)

Item #: 56630



ITEM NO.	QTY.	PART NUMBER	DESCRIPTION
1	2	56630-11	Plate, 4x4 Rail Saddle
2	2	56607-15	Plate, 4x4 Side Compression
3	1	56607-11	Assembly, 4x4 Stand Off
4	2	56641-12	Bracket, 2x4 Top Rail Saddle
5	0.6	56621	1 1/2" Hex Cap Nut (HCN)
6	12	80016	Screw, #12x1.25 T25
7	0.24	56625	OWT Timber Screw 1-3/4"



Weight: 4.02 LBS  
 Scale: 1:2  
 Last updated: 10/10/2016

56630-10

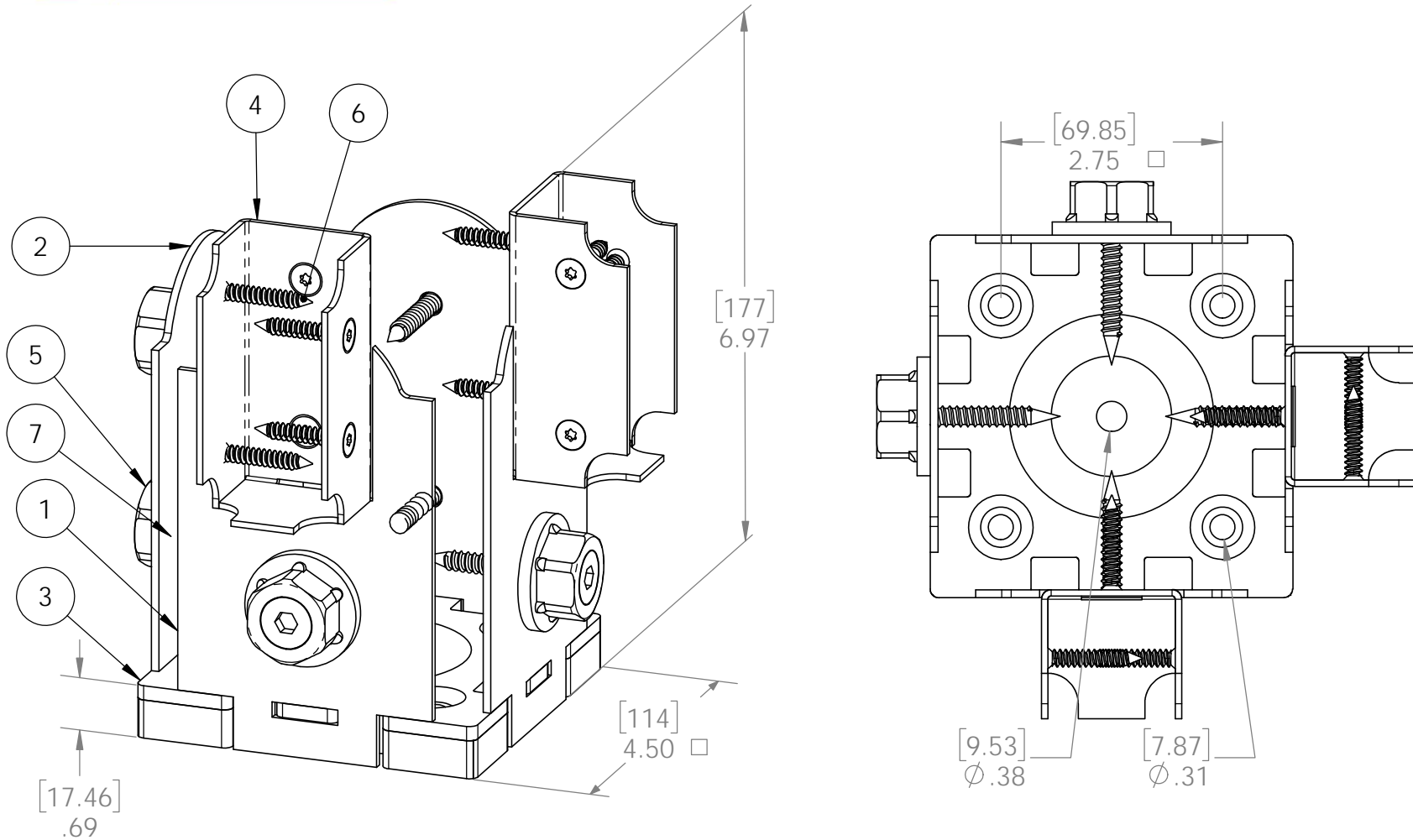


OZCO BUILDING PRODUCTS

# Product & Packaging Specs

## 4x4 Post Base with 2 Rail Saddles (4X4-TRS-LS)

Item #: 56630



Weight: 4.02 LBS  
Scale: 1:2  
Last updated: 10/10/2016

56630-10

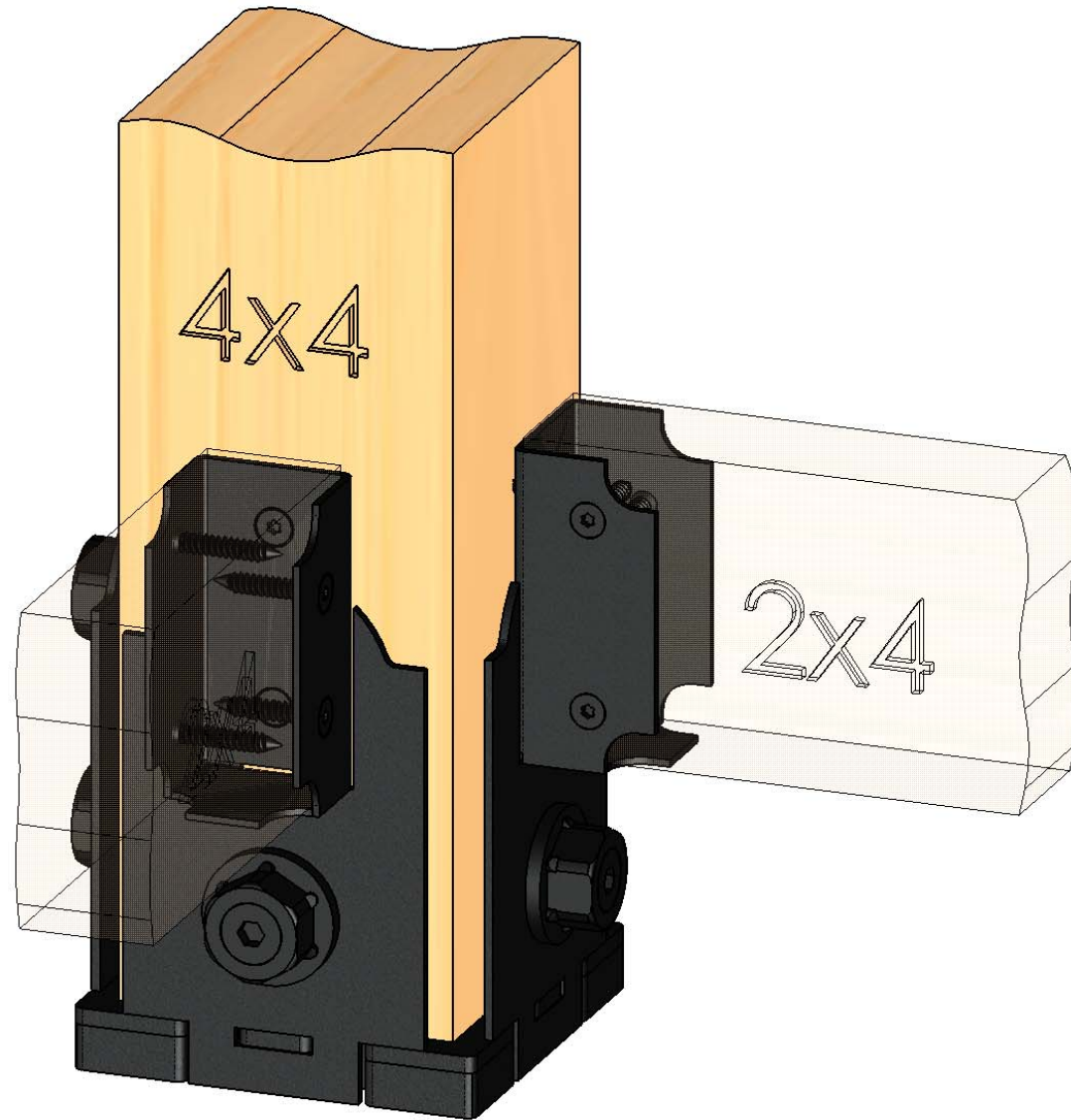


OZCO BUILDING PRODUCTS

# Product & Packaging Specs

## Typical Installation

Item #: 56630



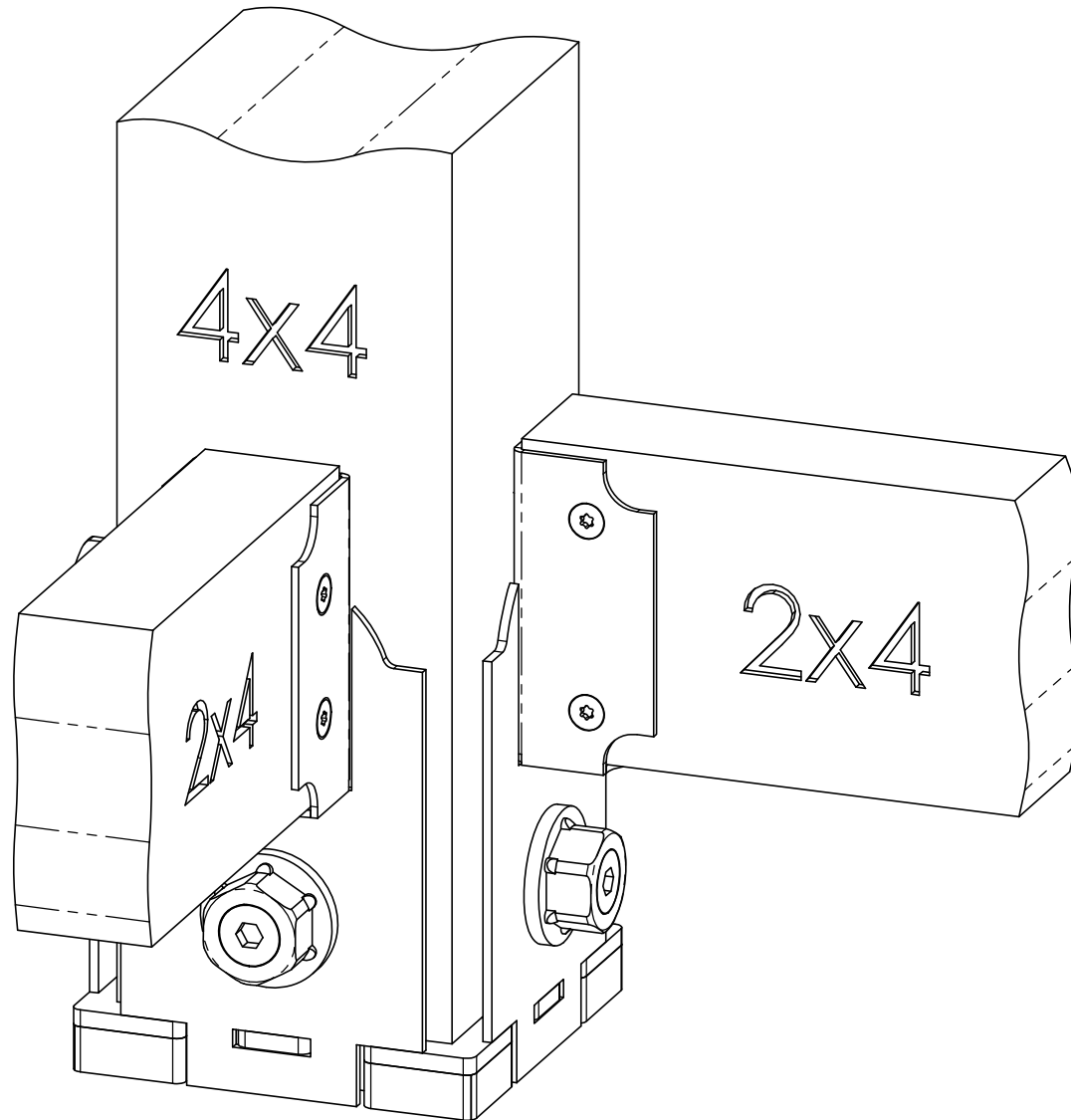
Weight: 11.10 LBS  
Scale: 1:2  
Last updated: 10/10/2016

56630-10

# Product & Packaging Specs

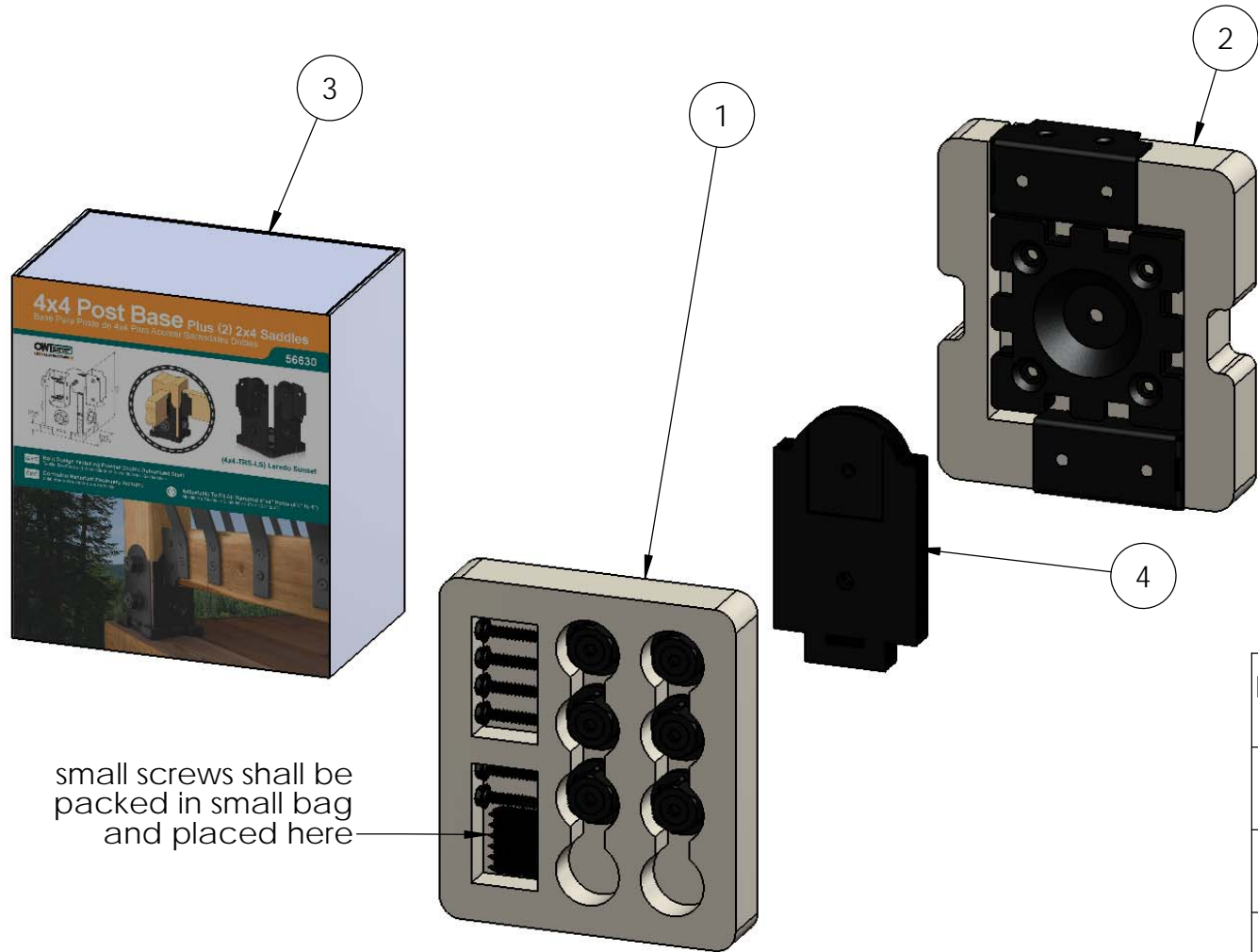
## Typical Installation

Item #: 56630



Weight: 11.10 LBS  
Scale: 1:2  
Last updated: 10/10/2016

56630-10



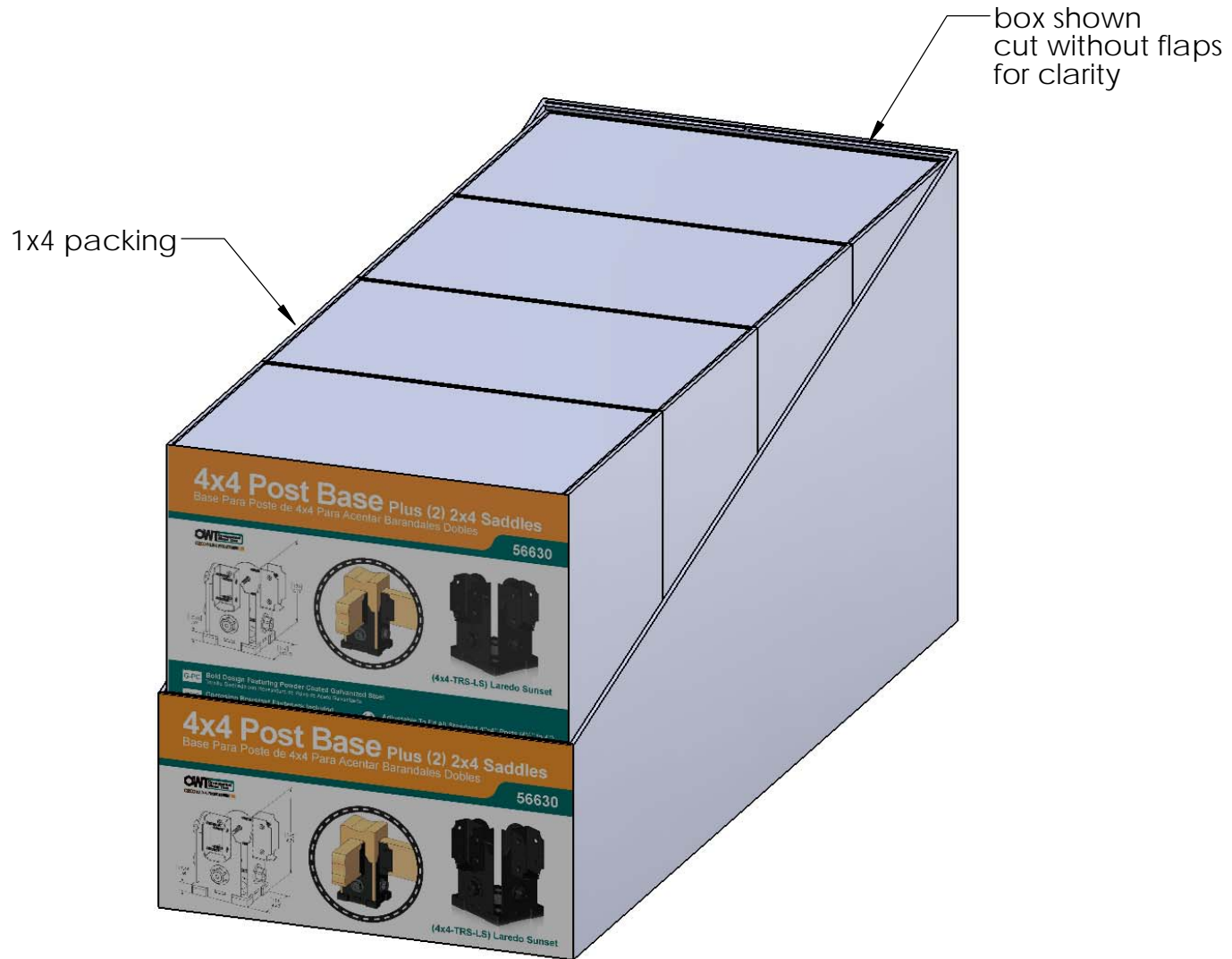
small screws shall be packed in small bag and placed here

ITEM NO.	QTY.	PART NUMBER	DESCRIPTION
1	1	Insert, Rail Saddle	Insert, Rail Saddle
2	1	Insert, Rail Saddle	Insert, Rail Saddle
3	1	Box, 56630	Box, 56630
4	1	56630	4x4 Post Base with 2 Rail Saddles (4X4-TRS-LS)

Weight: 8.81 LBS  
 Scale: 1:4  
 Last updated: 10/10/2016

# Product & Packaging Specs

56630 Packing  
 Item #: Case packing



Weight: 19.44 LBS  
 Scale: 1:3  
 Last updated: 10/10/2016

**56630-10**



OZCO BUILDING PRODUCTS

# Product & Packaging Specs

## 56630 Packing

Item #: Pallet packing

Item #: **56630** | **4x4-TRS-LS**

4x4 Post Base Plus (2) 2x4 Saddles

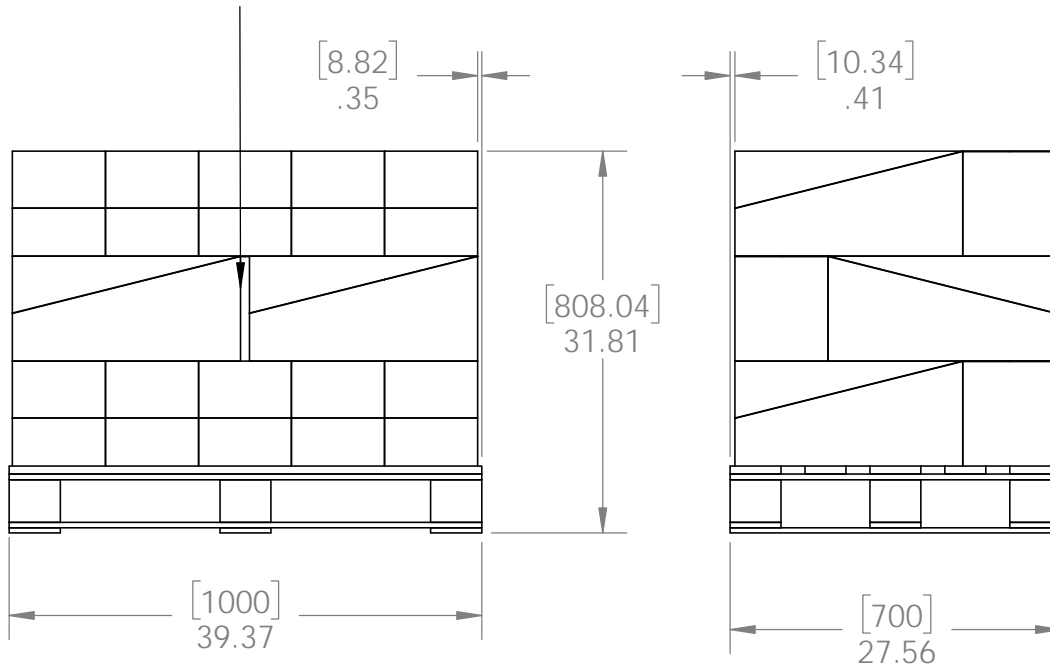
**PALLET** **84 pcs**

SKU#: **56830**

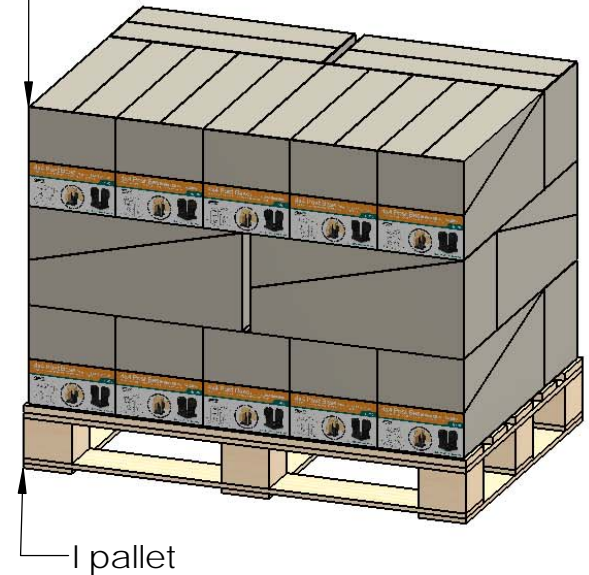


Weight: 447 lbs

LOT# Priority# OWT OZCO BUILDING PRODUCTS



Total number of cases: 21  
Total number of pieces:  
21x4=84 pieces on pallet



### additional pallet packing instructions

- plywood on top layer
- strap to pallet
- clear wrap around boxes

Weight: 447 LBS  
Scale: 1:16  
Last updated: 10/10/2016

56630-10