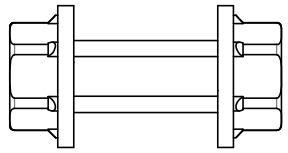


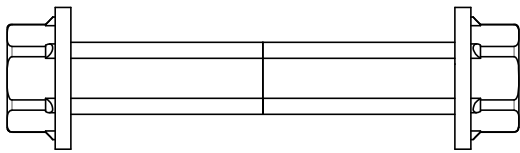
Product & Packaging Specs

OWT Timber Bolt



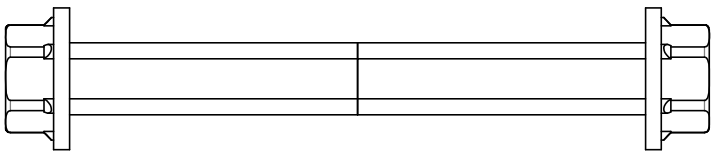
OWT Timber Bolt 1.5-4" 56673

[38-101] 1.5-4"



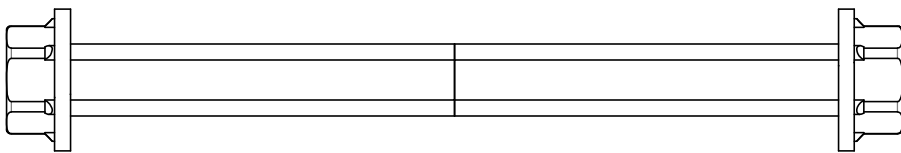
OWT Timber Bolt 4-6" 56649

[101-152] 4-6"



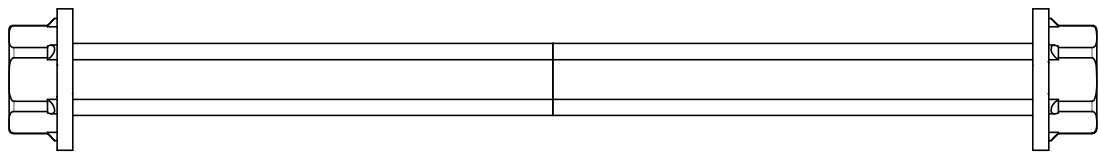
OWT Timber Bolt 6-8" 56650

[152-203] 6-8"



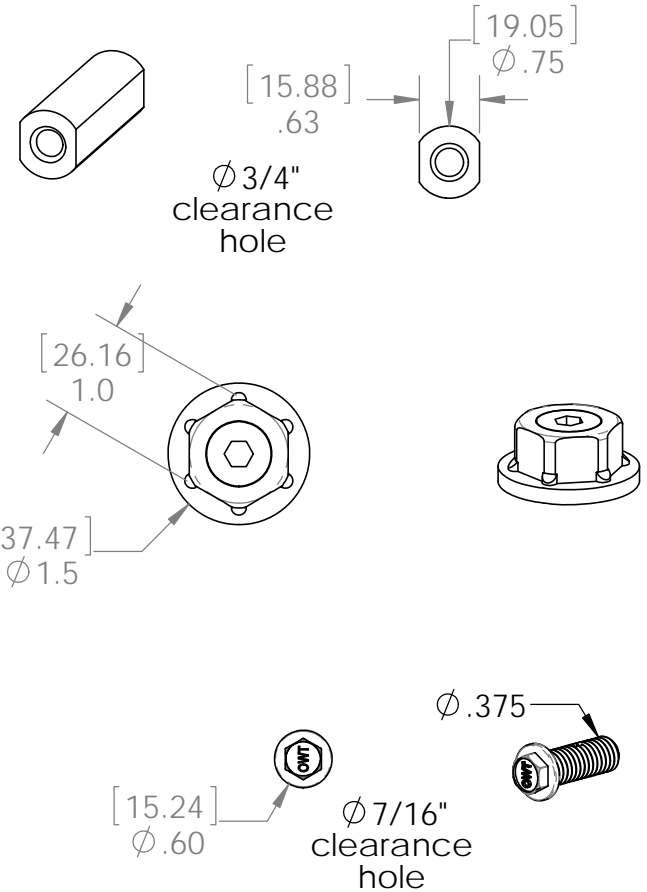
OWT Timber Bolt 8-10" 56651

[203-254] 8-10"



OWT Timber Bolt 10-12" 56652

[254-304] 10-12"



Scale: 1:4
 Last updated: 10/1/2015
OWT Timber Bolts

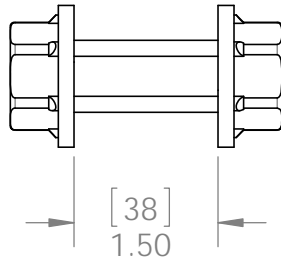


OZCO BUILDING PRODUCTS

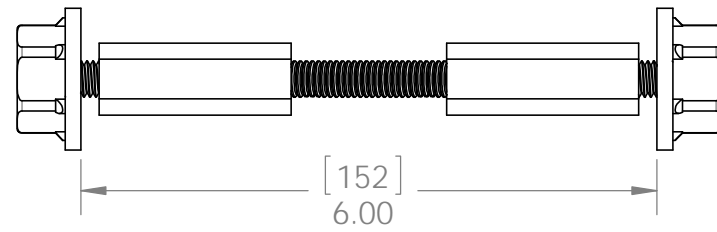
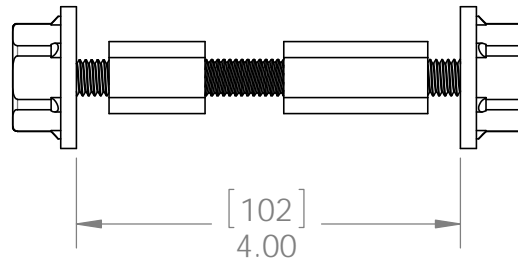
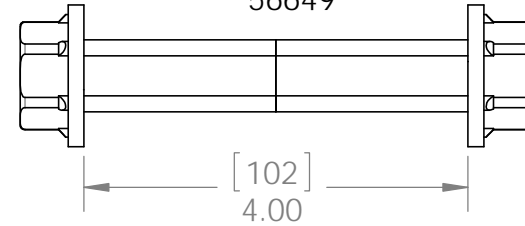
Product & Packaging Specs

OWT Timber Bolt

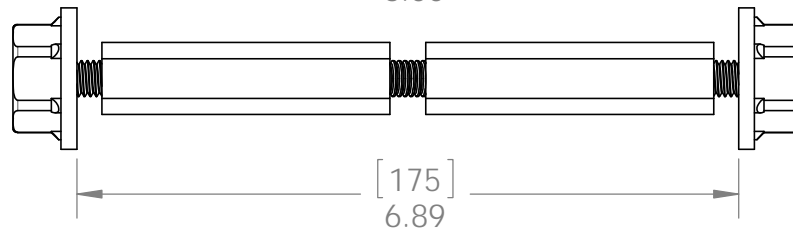
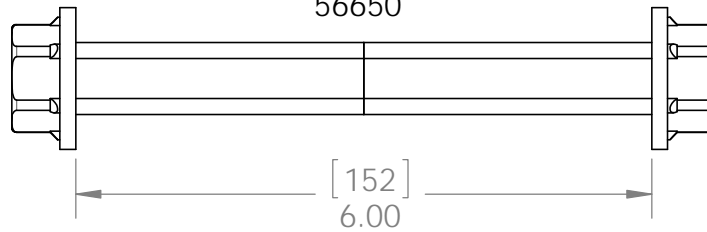
OWT Timber Bolt 1.5-4"
56673



OWT Timber Bolt 4-6"
56649



OWT Timber Bolt 6-8"
56650



Scale: 1:4
Last updated: 10/1/2015
OWT Timber Bolts

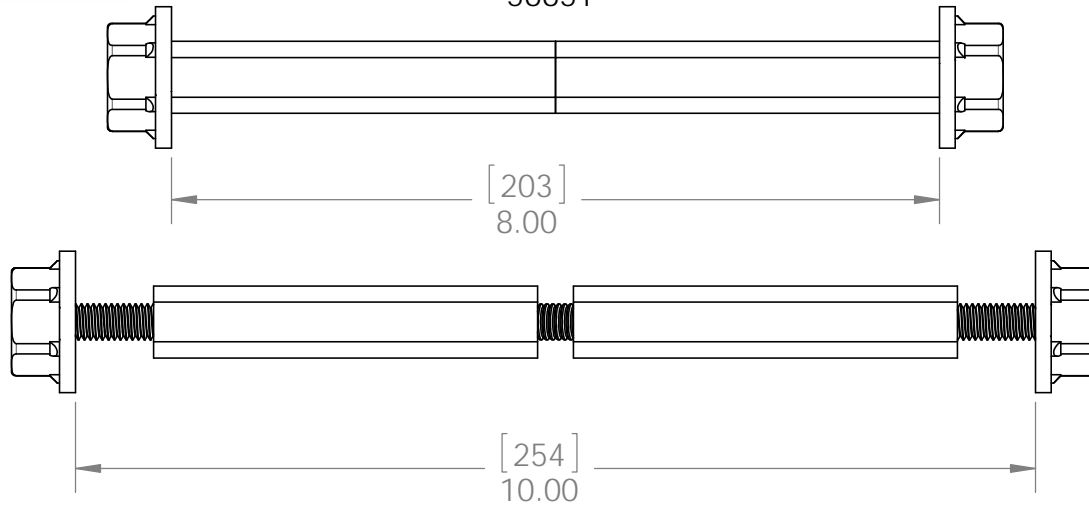


OZCO BUILDING PRODUCTS

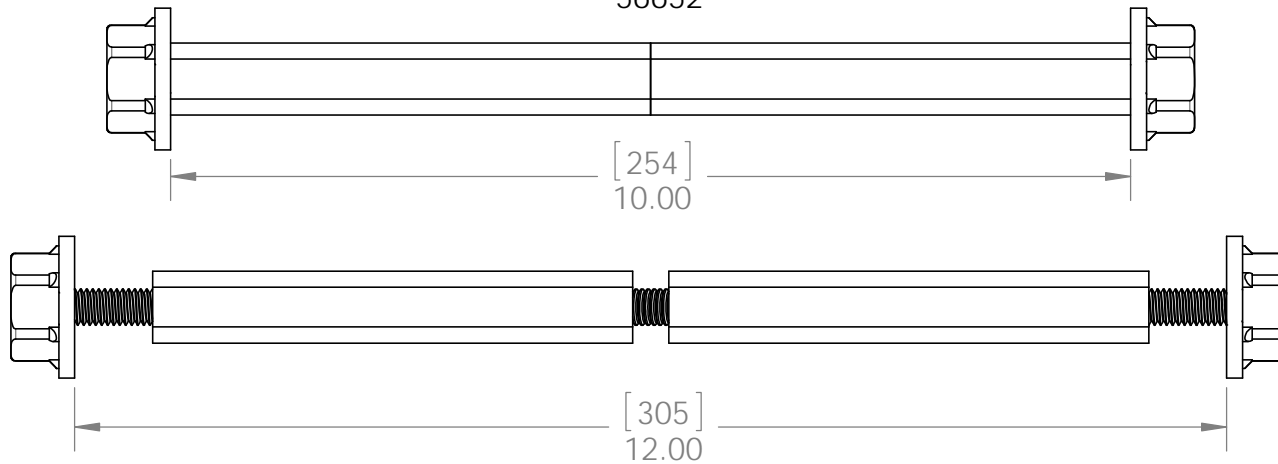
Product & Packaging Specs

OWT Timber Bolt

OWT Timber Bolt 8-10"
56651



OWT Timber Bolt 10-12"
56652



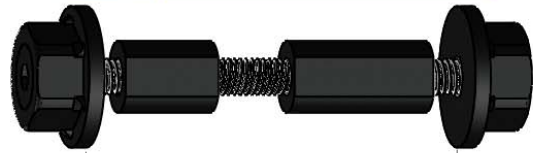
Scale: 1:4
Last updated: 10/1/2015
OWT Timber Bolts



Product & Packaging Specs

OWT Timber Bolt

OZCO BUILDING PRODUCTS



OWT Timber Bolt 1.5-4"
56673

[38-101] 1.5-4"



OWT Timber Bolt 4-6"
56649

[101-152] 4-6"



OWT Timber Bolt 6-8"
56650

[152-203] 6-8"



OWT Timber Bolt 8-10"
56651

[203-254] 8-10"



OWT Timber Bolt 10-12"
56652

[254-304] 10-12"

Scale: 1:1

Last updated: 10/1/2015

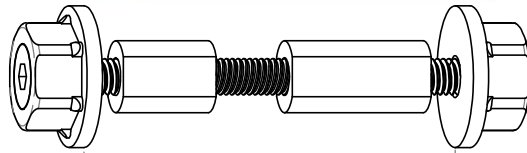
OWT Timber Bolts



Product & Packaging Specs

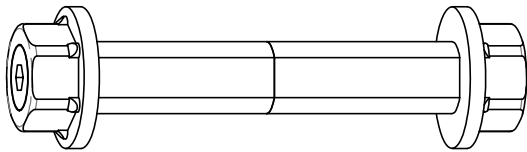
OWT Timber Bolt

OZCO BUILDING PRODUCTS



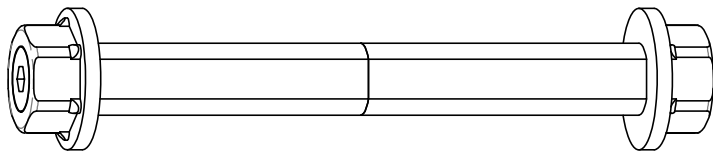
OWT Timber Bolt 1.5-4"
56673

[38-101] 1.5-4"



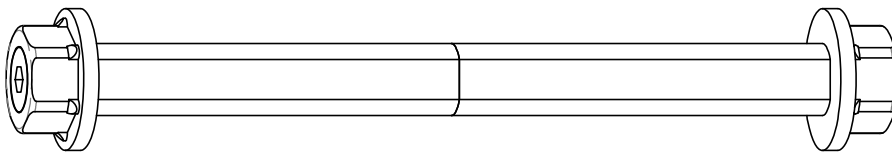
OWT Timber Bolt 4-6"
56649

[101-152] 4-6"



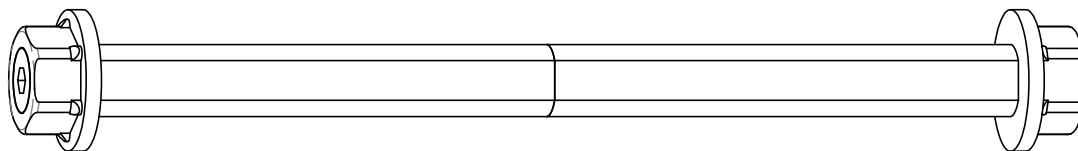
OWT Timber Bolt 6-8"
56650

[152-203] 6-8"



OWT Timber Bolt 8-10"
56651

[203-254] 8-10"



OWT Timber Bolt 10-12"
56652

[254-304] 10-12"

Scale: 1:1

Last updated: 10/1/2015

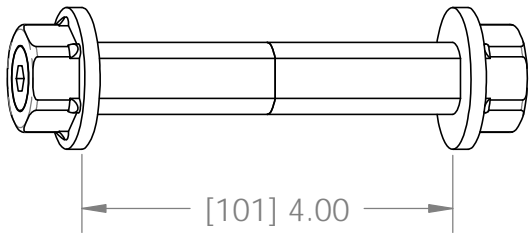
OWT Timber Bolts



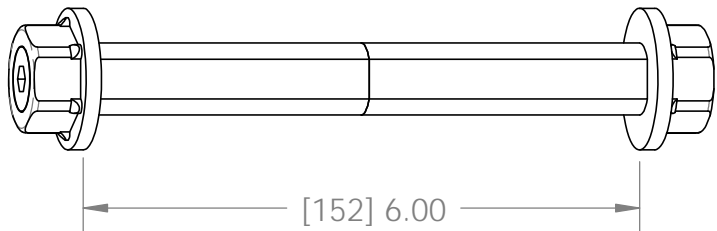
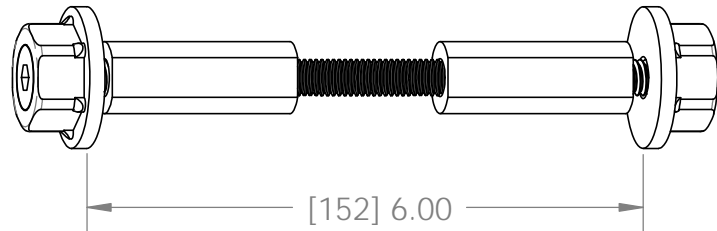
OZCO BUILDING PRODUCTS

Product & Packaging Specs

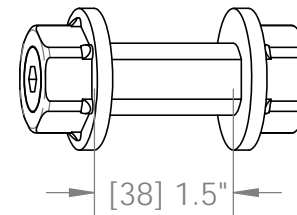
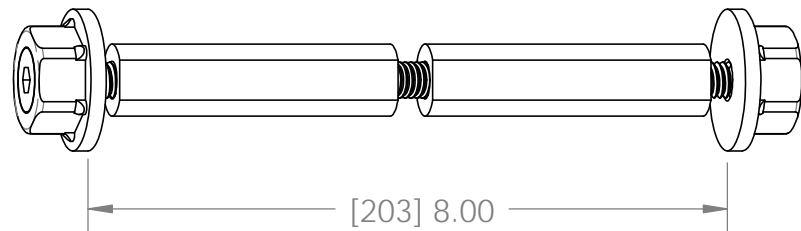
OWT Timber Bolts



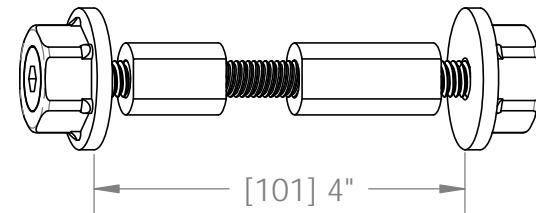
OWT Timber Bolt 4-6"
56649



OWT Timber Bolt 6-8"
56650



OWT Timber Bolt 1.5-4"
56673



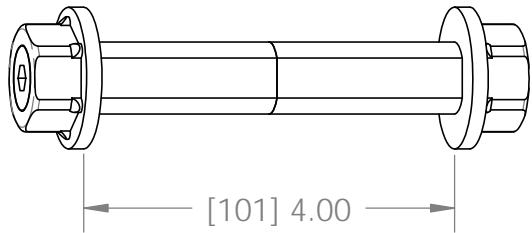
Scale: 1:4
Last updated: 10/1/2015
OWT Timber Bolts



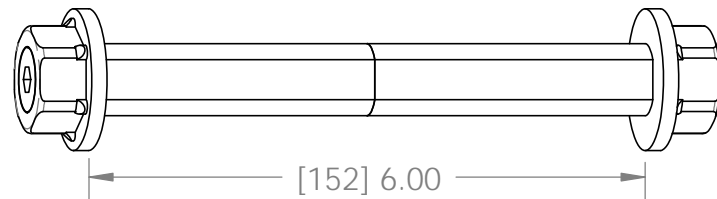
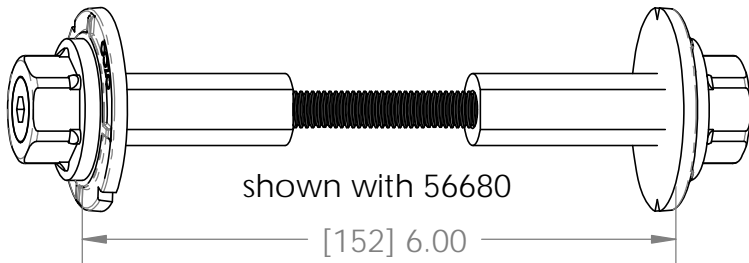
OZCO BUILDING PRODUCTS

Product & Packaging Specs

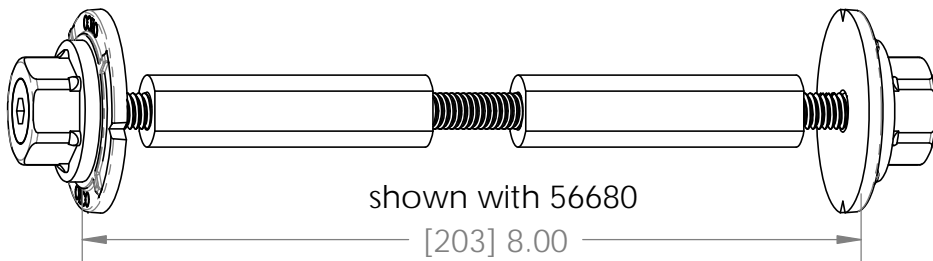
OWT Timber Bolts



OWT Timber Bolt 4-6"
56649



OWT Timber Bolt 6-8"
56650



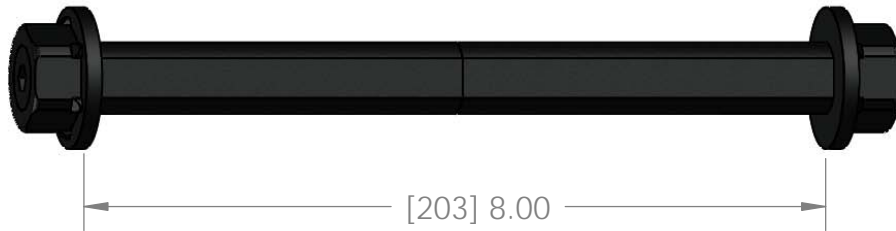
Scale: 1:4
Last updated: 10/1/2015
OWT Timber Bolts



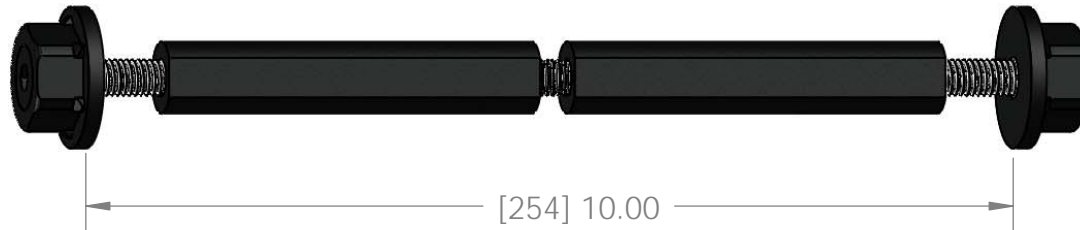
OZCO BUILDING PRODUCTS

Product & Packaging Specs

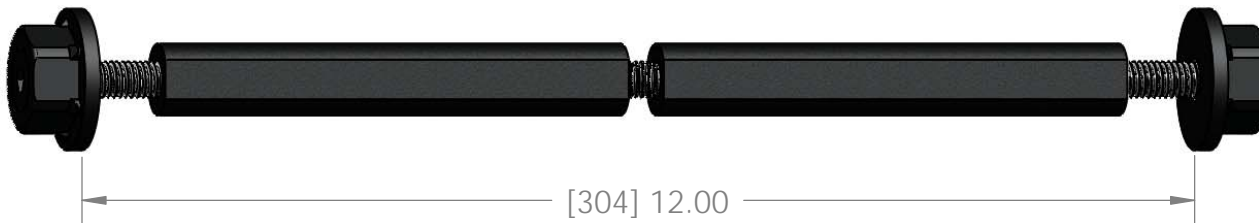
OWT Timber Bolt



OWT Timber Bolt 8-10" 56651



OWT Timber Bolt 10-12" 56652



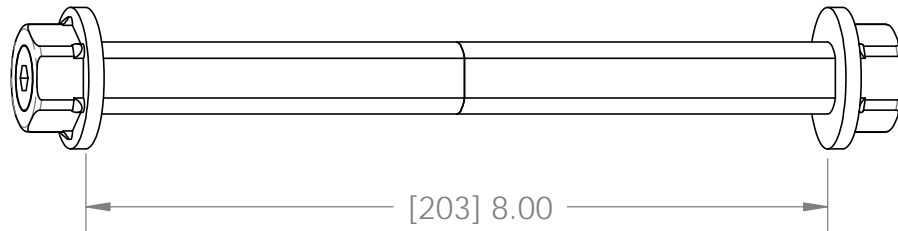
Scale: 1:4
Last updated: 10/1/2015
OWT Timber Bolts



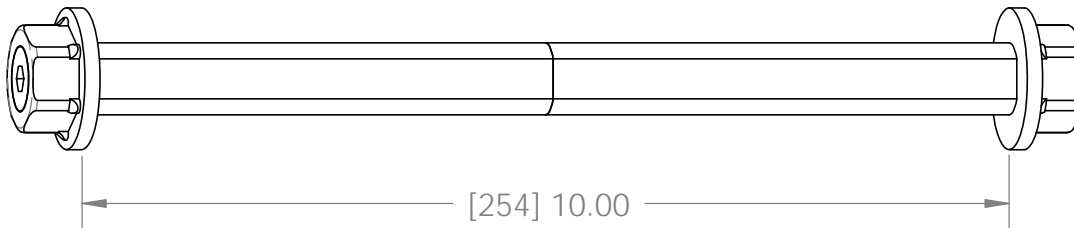
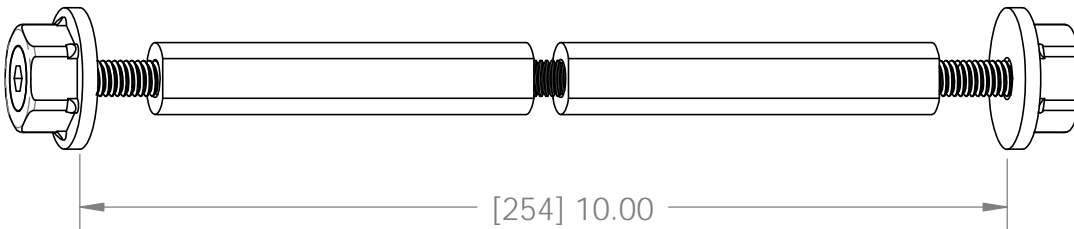
OZCO BUILDING PRODUCTS

Product & Packaging Specs

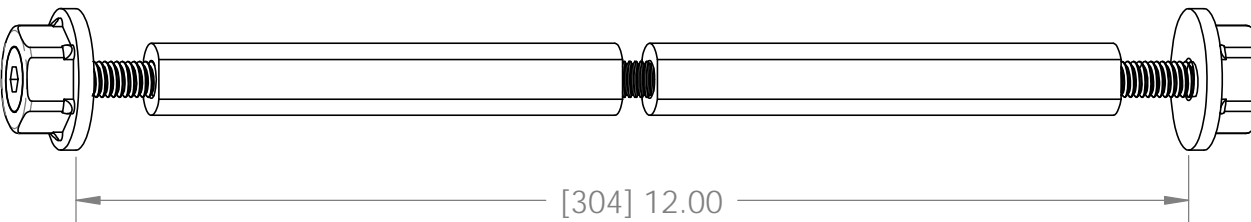
OWT Timber Bolt



OWT Timber Bolt 8-10"
56651



OWT Timber Bolt 10-12"
56652



Scale: 1:4
Last updated: 10/1/2015
OWT Timber Bolts

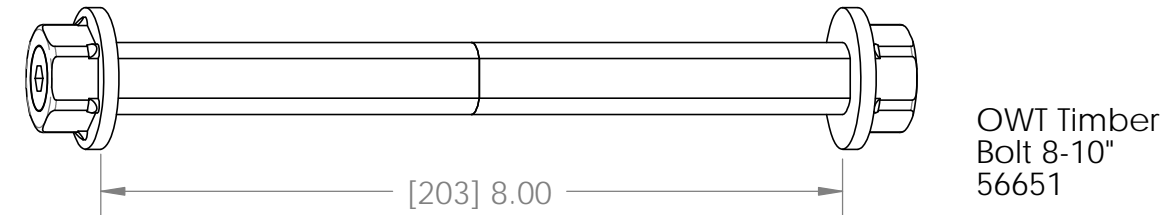
V1.00 - Installation Instructions effective May 1, 2015 and reflects information that available as of April 10, 2014. This information is updated periodically and should not be relied upon after May 1, 2015. Please visit www.OZCOBP.com to get current information



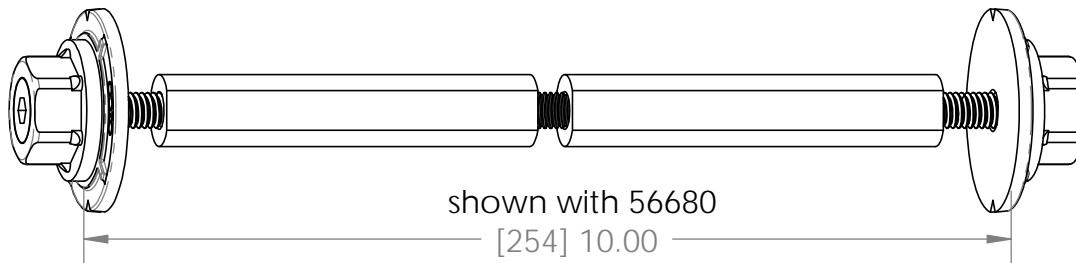
OZCO BUILDING PRODUCTS

Product & Packaging Specs

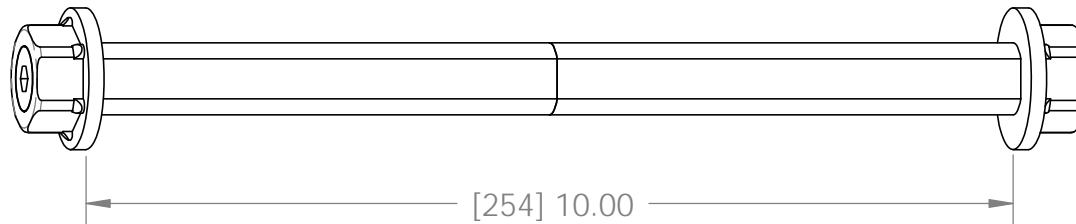
OWT Timber Bolt



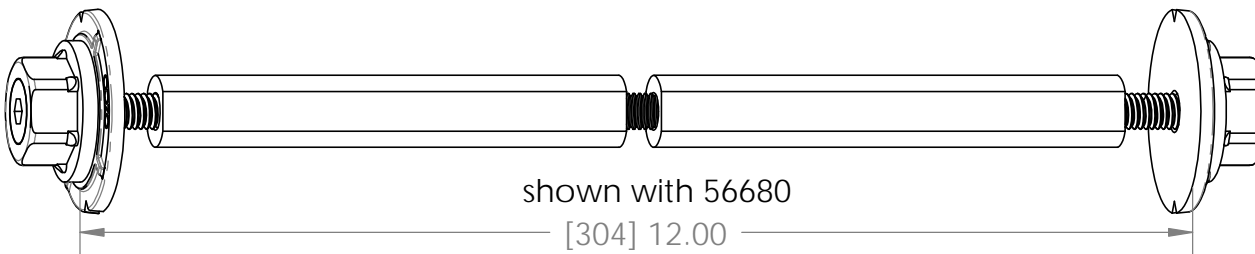
OWT Timber Bolt 8-10" 56651



shown with 56680
[254] 10.00



OWT Timber Bolt 10-12" 56652

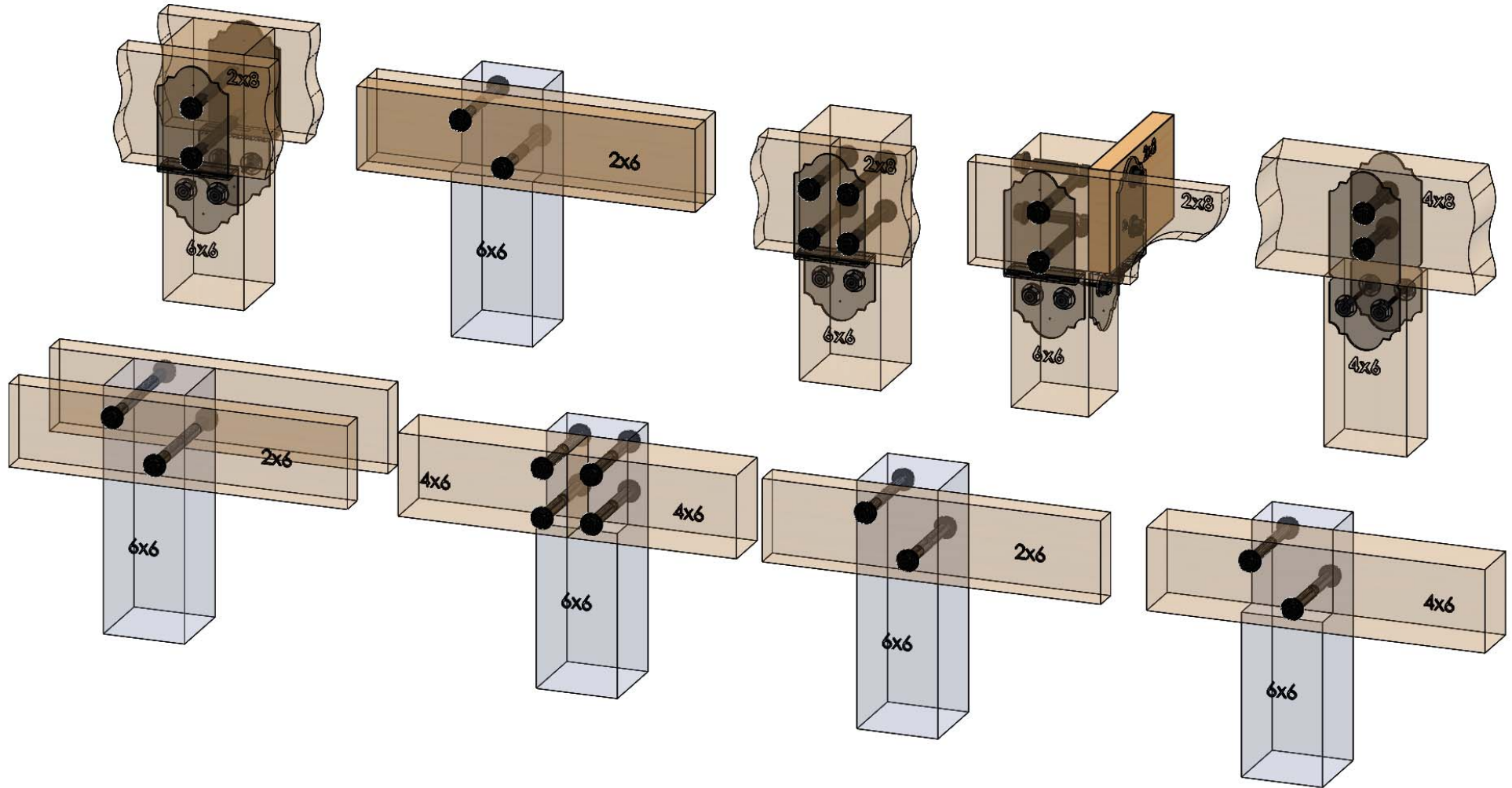


shown with 56680
[304] 12.00

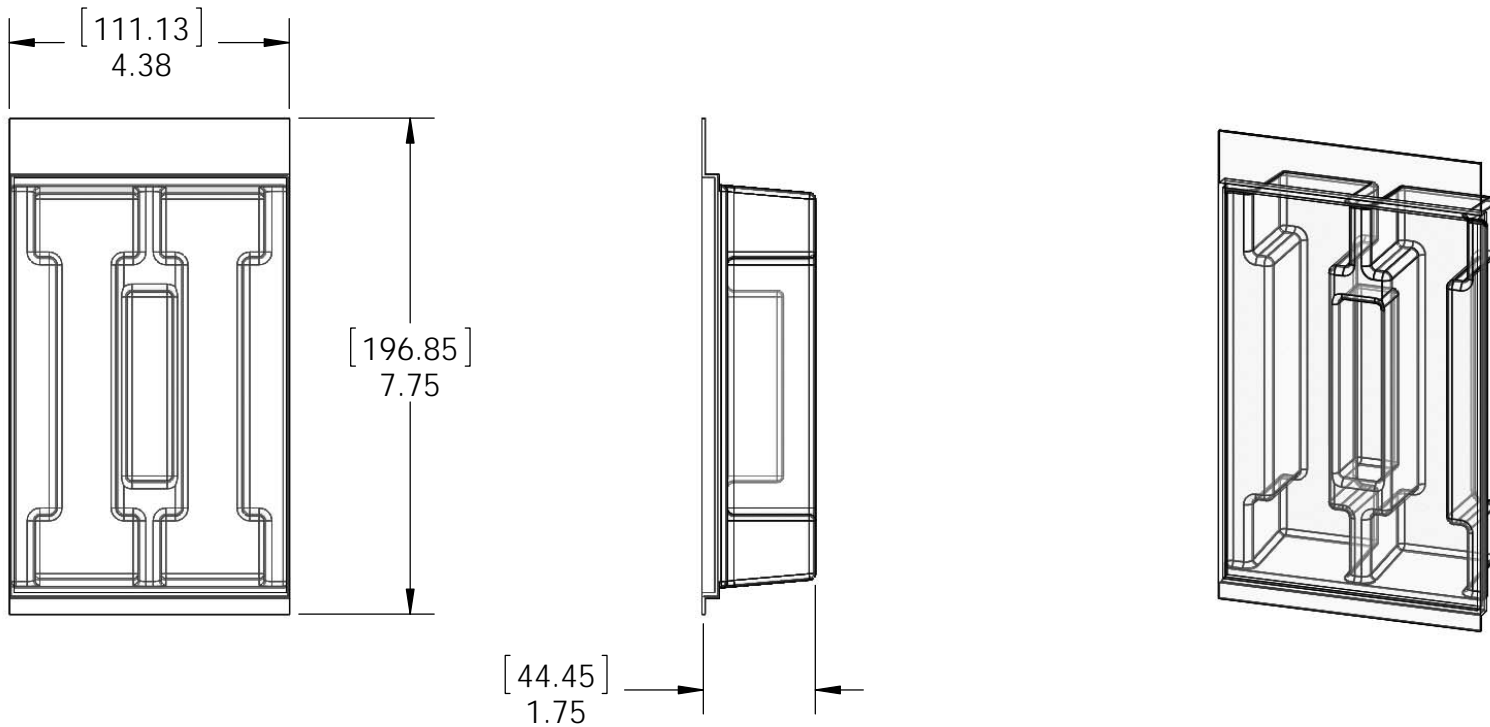
Scale: 1:4
Last updated: 10/1/2015
OWT Timber Bolts

Product & Packaging Specs

OWT Timber Bolt



Scale: 1:10
 Last updated: 10/1/2015
OWT Timber Bolts



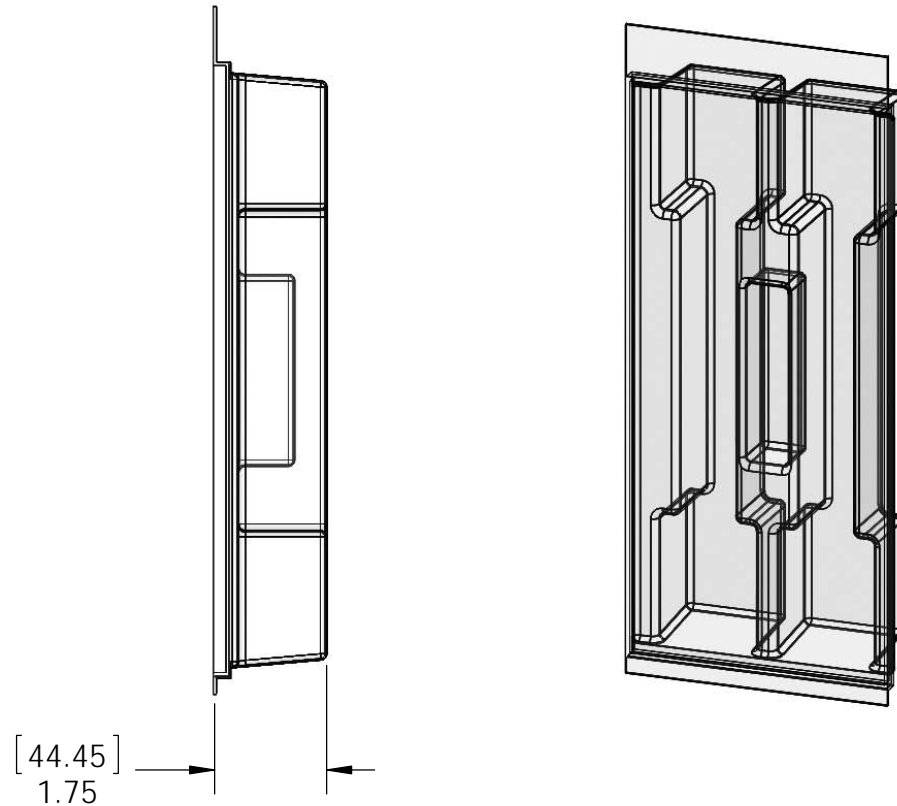
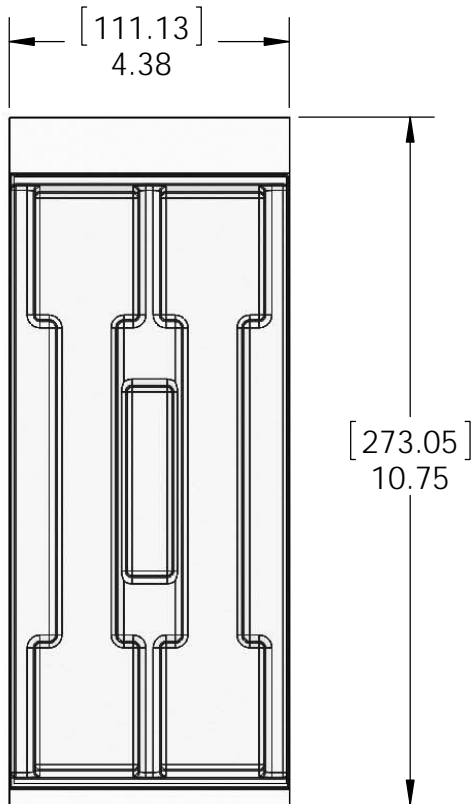
Material: ABS
 Finish: Natural
 Weight: 0.14 LBS
 Scale: 1:3
 Last updated: 10/1/2015

OWT Timber Bolts

Product & Packaging Specs

Box, OWT Timber Bolts

Item #: Box, Timber Bolt 4-6 & 6-8



Material: ABS
Finish: Natural
Weight: 0.19 LBS
Scale: 1:3
Last updated: 10/1/2015

OWT Timber Bolts

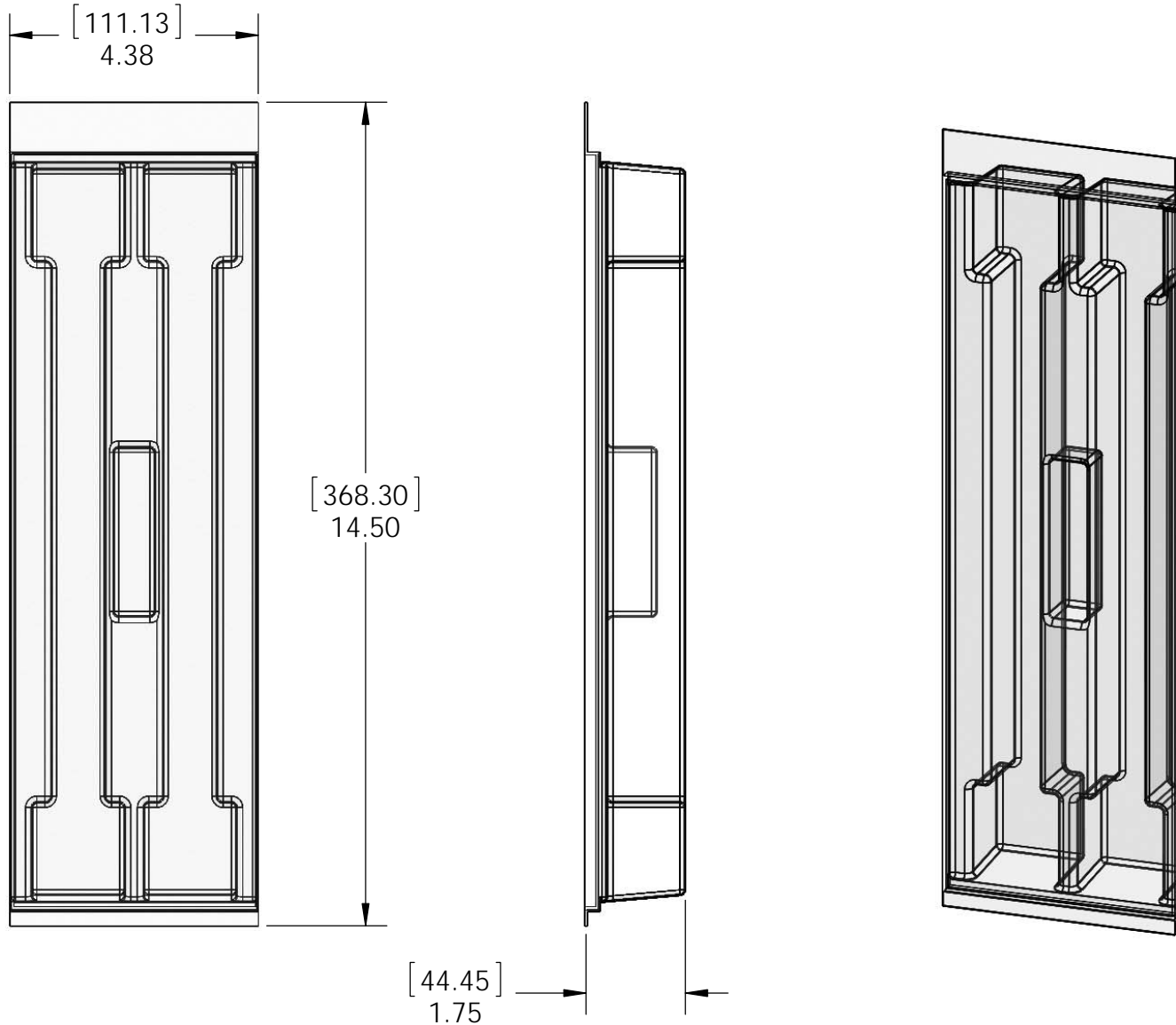


OZCO BUILDING PRODUCTS

Product & Packaging Specs

Box, OWT Timber Bolts

Item #: Box, Timber Bolt 8-10 & 10-12



Material: ABS
Finish: Natural
Weight: 0.26 LBS
Scale: 1:2
Last updated: 10/1/2015

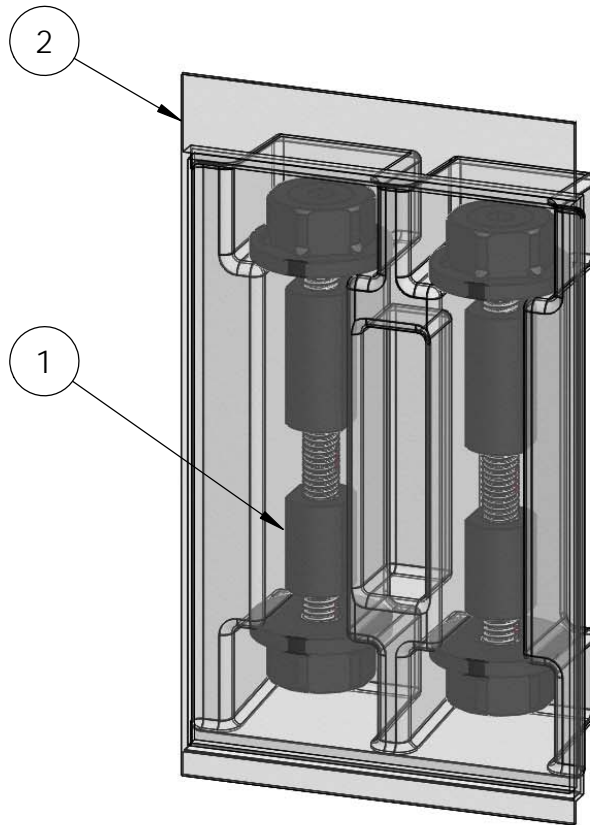
OWT Timber Bolts

V1.00 - Installation Instructions effective May 1, 2015 and reflects information that available as of April 10, 2014. This information is updated periodically and should not be relied upon after May 1, 2015. Please visit www.OZCOBP.com to get current information

Product & Packaging Specs

OWT Timber Bolt Packing

Item #: Box packing-56673



| ITEM NO. | QTY. | PART NUMBER | DESCRIPTION |
|----------|------|-----------------------|------------------------|
| 1 | 2 | 56673 | OWT Timber Bolt 1.5-4" |
| 2 | 1 | Box, OWT Timber Bolts | Box, OWT Timber Bolts |

Weight: 0.66 LBS
Scale: 1:2
Last updated: 10/1/2015

OWT Timber Bolts

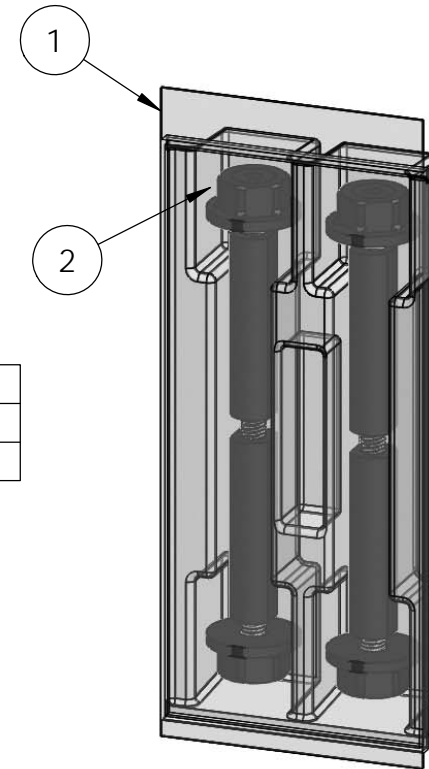
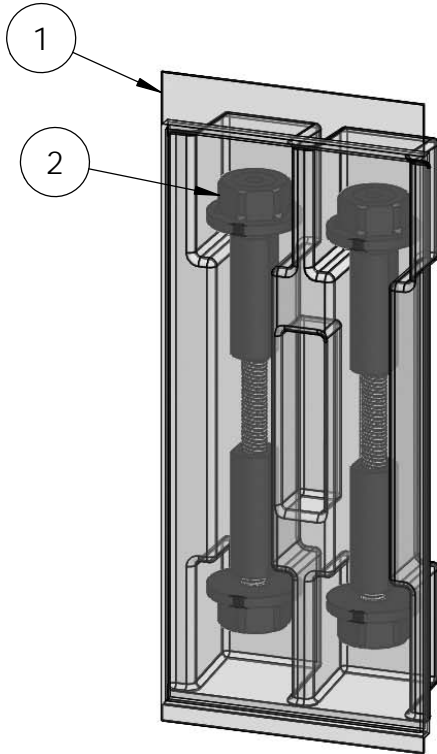
Product & Packaging Specs

OWT Timber Bolt Packing

Item #: Box packing-56649

| ITEM NO. | Box packing-56649/QTY. | PART NUMBER | DESCRIPTION |
|----------|------------------------|----------------------------|-----------------------|
| 1 | 1 | Box, Timber Bolt 4-6 & 6-8 | Box, OWT Timber Bolts |
| 2 | 2 | 56649 | OWT Timber Bolt 4-6" |

| ITEM NO. | Box packing-56650/QTY. | PART NUMBER | DESCRIPTION |
|----------|------------------------|----------------------------|-----------------------|
| 1 | 1 | Box, Timber Bolt 4-6 & 6-8 | Box, OWT Timber Bolts |
| 2 | 2 | 56650 | OWT Timber Bolt 6-8" |



| PART NUMBER | WEIGHT |
|-------------|----------|
| 56649 | 1.27 LBS |
| 56650 | 1.58 LBS |

Weight: see table LBS
 Scale: 1:3
 Last updated: 10/1/2015

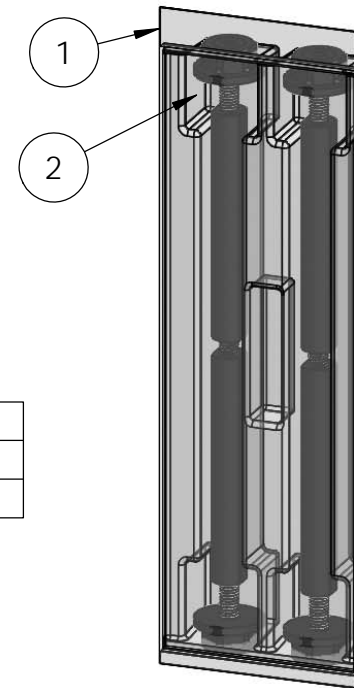
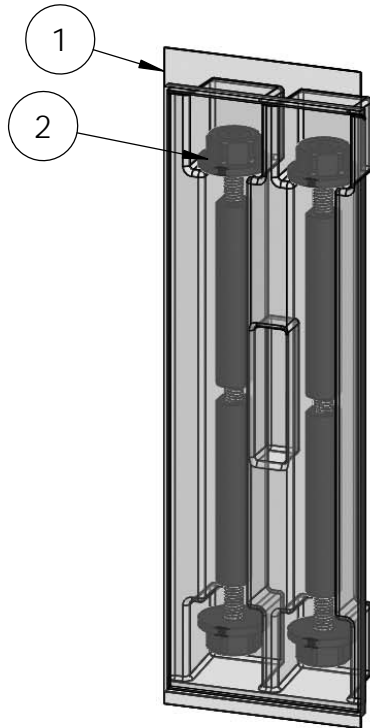
Product & Packaging Specs

OWT Timber Bolt Packing

Item #: Box packing-56651

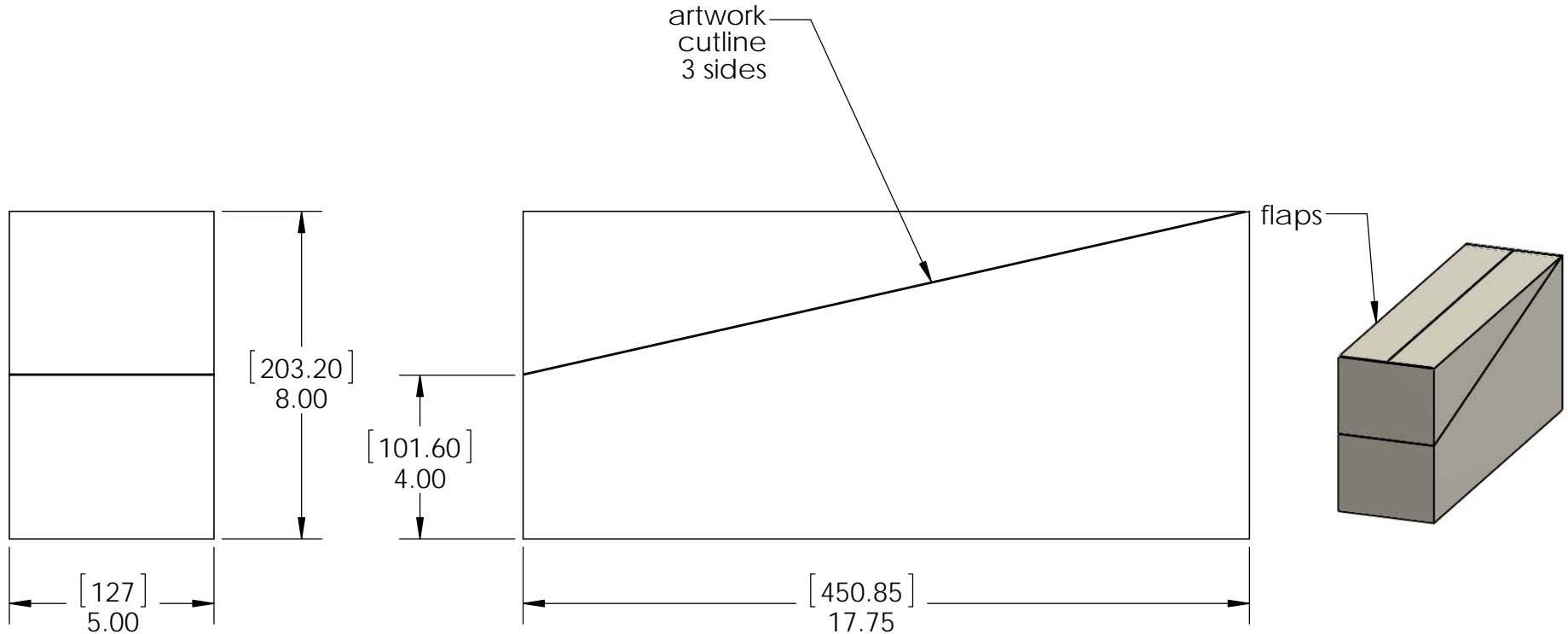
| ITEM NO. | Box packing-56651/QTY. | PART NUMBER | DESCRIPTION |
|----------|------------------------|-------------------------------|-----------------------|
| 1 | 1 | Box, Timber Bolt 8-10 & 10-12 | Box, OWT Timber Bolts |
| 2 | 2 | 56651 | OWT Timber Bolt 8-10" |

| ITEM NO. | Box packing-56652/QTY. | PART NUMBER | DESCRIPTION |
|----------|------------------------|-------------------------------|------------------------|
| 1 | 1 | Box, Timber Bolt 8-10 & 10-12 | Box, OWT Timber Bolts |
| 2 | 2 | 56652 | OWT Timber Bolt 10-12" |



| PART NUMBER | WEIGHT |
|-------------|----------|
| 56651 | 1.89 LBS |
| 56652 | 2.24 LBS |

Weight: see table LBS
 Scale: 1:4
 Last updated: 10/1/2015

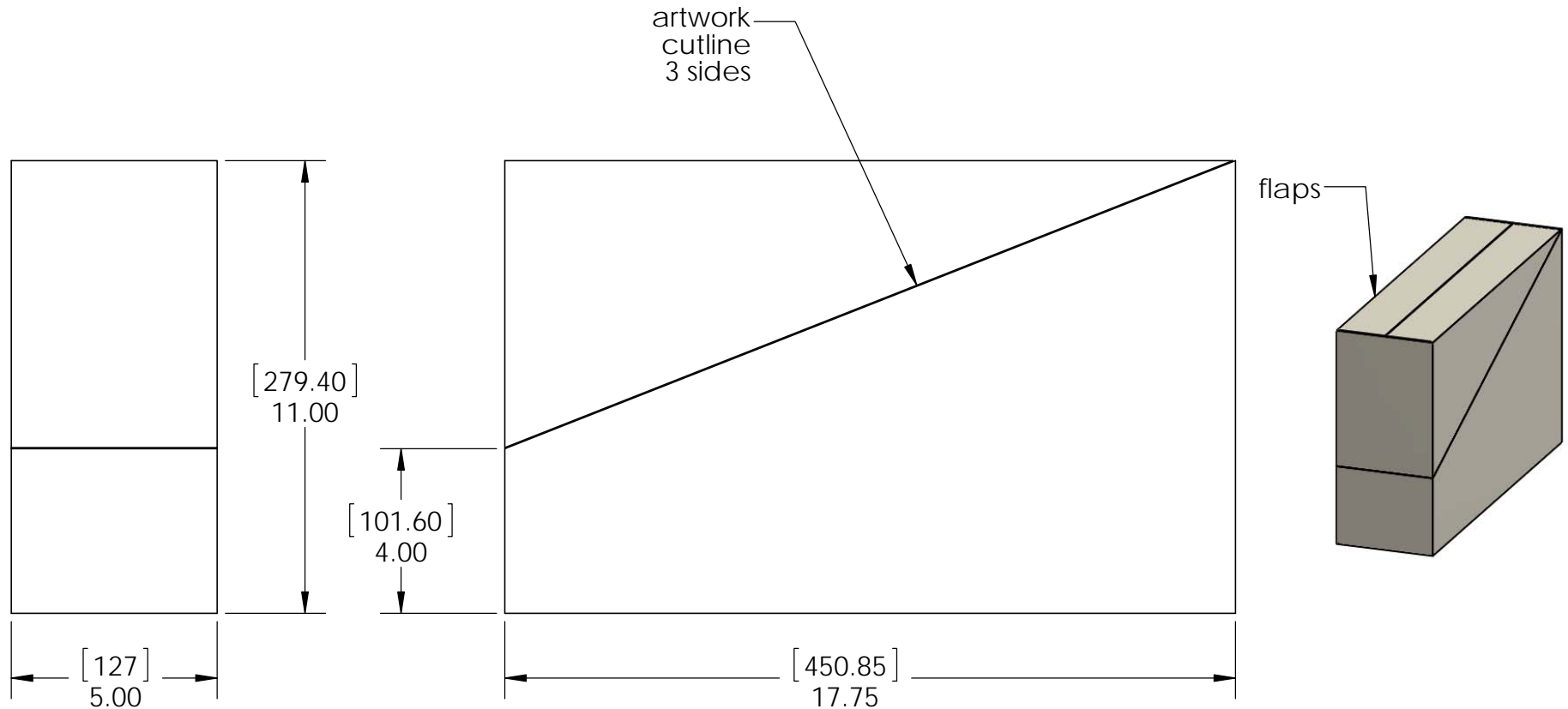


Material: Corrugated Paper
 Finish: see artwork
 Weight: 0.24 LBS
 Scale: 1:4
 Last updated: 10/1/2015

Product & Packaging Specs

Case, Timber Bolt

Item #: Case, Timber Bolt 4-6 & 6-8

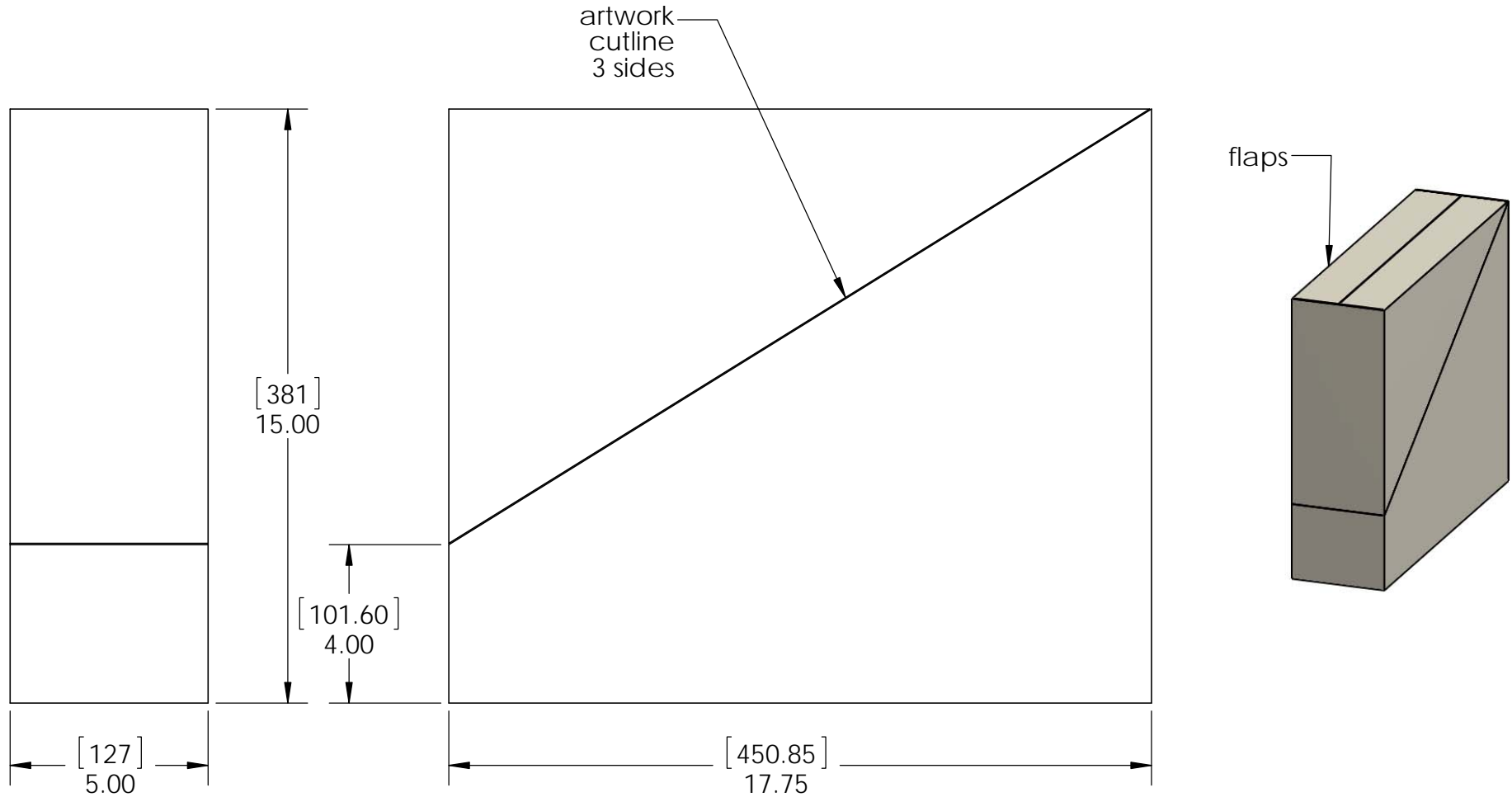


Material: Corrugated Paper
 Finish: see artwork
 Weight: 0.30 LBS
 Scale: 1:4
 Last updated: 10/1/2015

Product & Packaging Specs

Case, Timber Bolt

Item #: Case, Timber Bolt 8-10 & 10-12

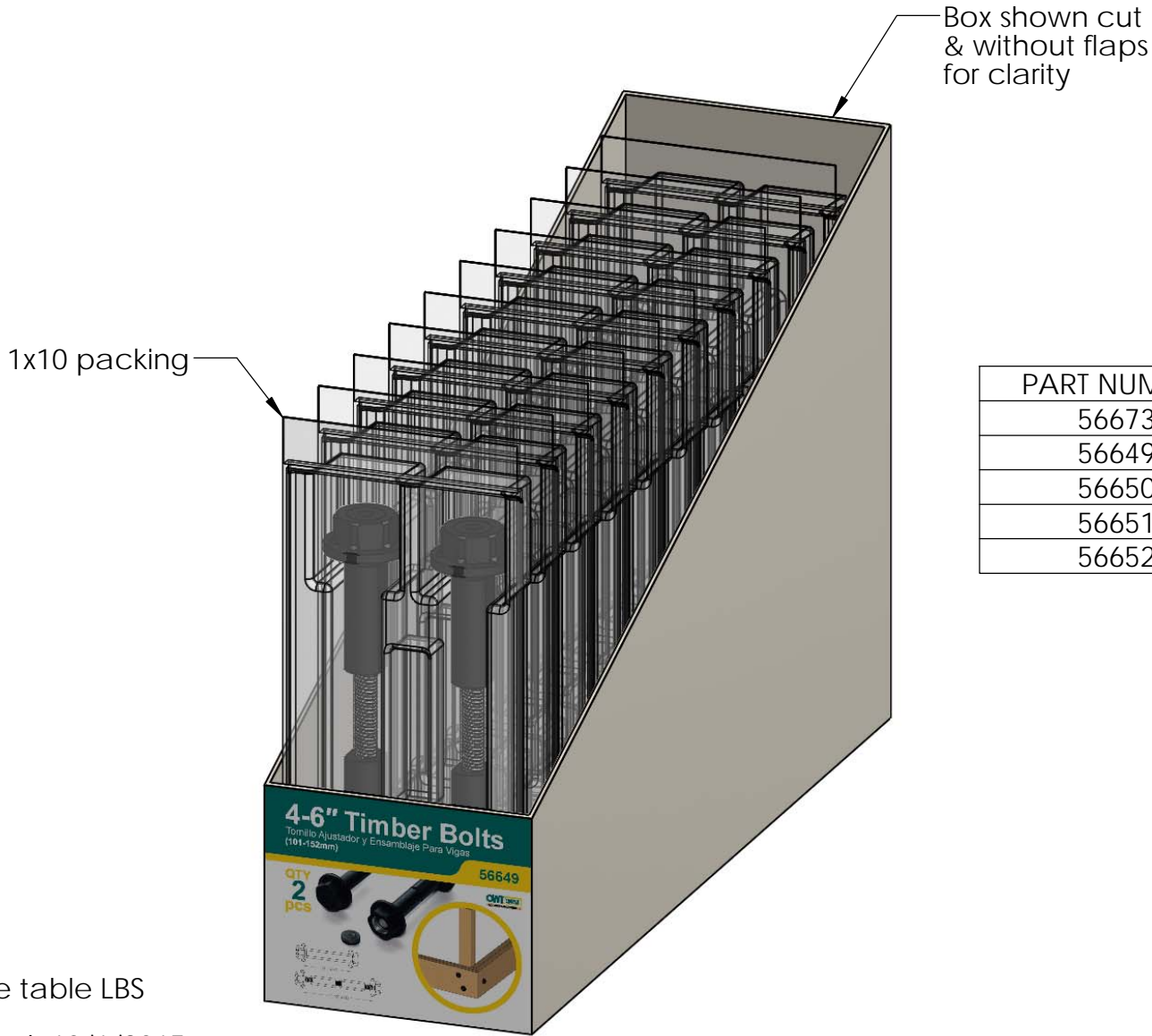


Material: Corrugated Paper
 Finish: see artwork
 Weight: 0.38 LBS
 Scale: 1:4
 Last updated: 10/1/2015

Product & Packaging Specs

OWT Timber Bolt Packing

Item #: Case packing-56649

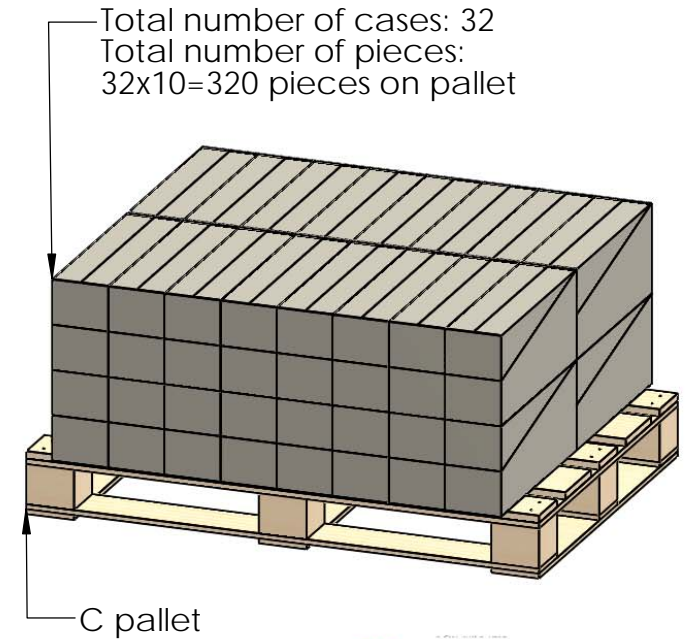
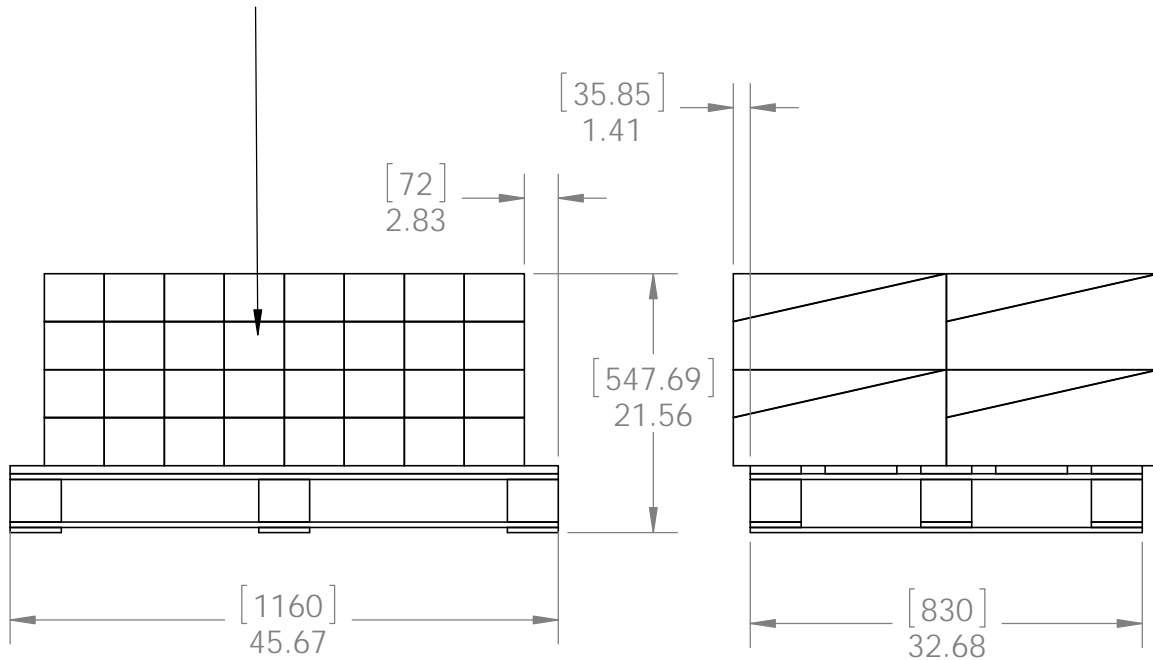


| PART NUMBER | WEIGHT |
|-------------|-----------|
| 56673 | 7 LBS |
| 56649 | 13.55 LBS |
| 56650 | 16.51 LBS |
| 56651 | 19.88 LBS |
| 56652 | 23.14 LBS |

56649 shown
all other lengths
packed the same

Weight: see table LBS
Scale: 1:3
Last updated: 10/1/2015

need pallet label



additional pallet packing instructions

- plywood on top layer
- strap to pallet
- clear wrap around boxes

Weight: see label
 Scale: 1:2
 Last updated: 10/1/2015



OZCO BUILDING PRODUCTS

Product & Packaging Specs

OWT Timber Bolt Packing

Item #: Pallet packing, 56649 & 56650

Item #: **56649** | **BOLT 4-6**

4" - 6" Timber Bolts

PALLET | **320 pcs**

SKU#: **56849**



Weight: **464** lbs

LOT# _____ Priority# _____

Item #: **56650** | **BOLT 6-8**

6" - 8" Timber Bolts

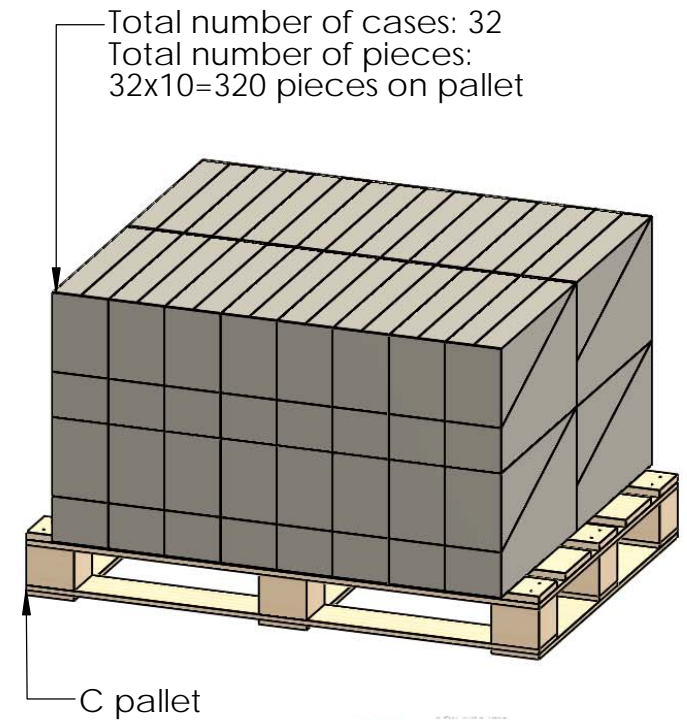
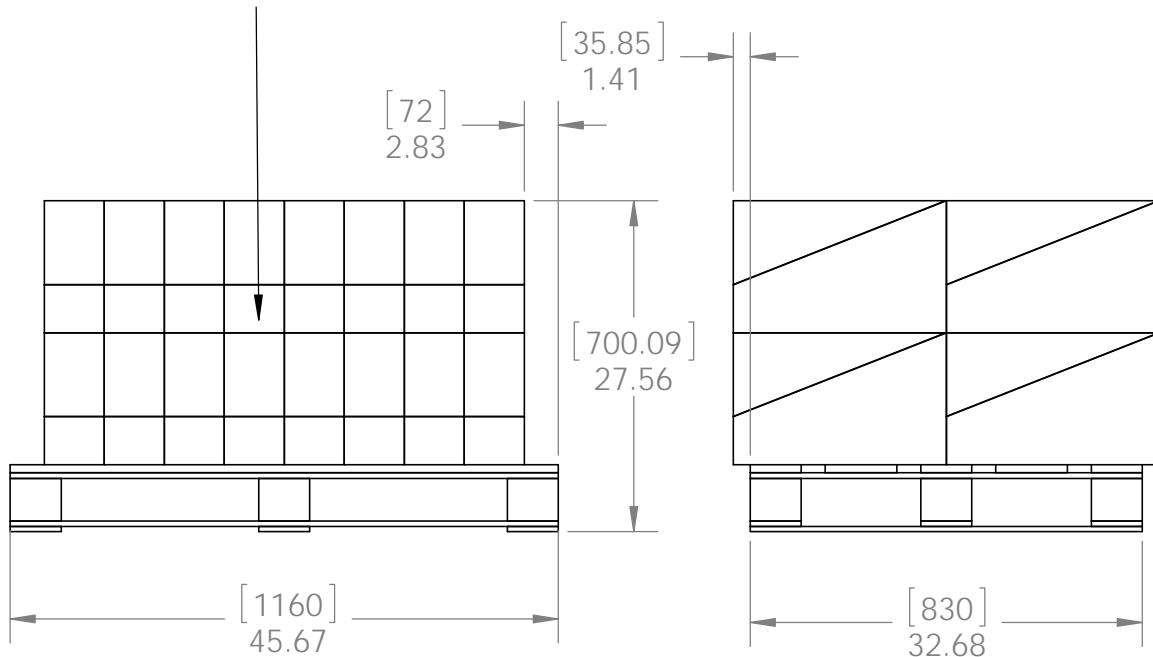
PALLET | **320 pcs**

SKU#: **56850**



Weight: **561** lbs

LOT# _____ Priority# _____



additional pallet packing instructions

- plywood on top layer
- strap to pallet
- clear wrap around boxes

Weight: see label
Scale: 1:2
Last updated: 10/1/2015

OWT Timber Bolts



OZCO BUILDING PRODUCTS

Item #: **56651** | **BOLT 8-10**

8" - 10" Timber Bolts

PALLET | **320 pcs**

SKU#: **56851**



30243 10038550
Made in China

Weight: **686** lbs

LOT# _____ Priority# _____

Product & Packaging Specs

OWT Timber Bolt Packing

Item #: Pallet packing-56651 & 56652

Item #: **56652** | **BOLT 10-12**

10" - 12" Timber Bolts

PALLET | **320 pcs**

SKU#: **56852**

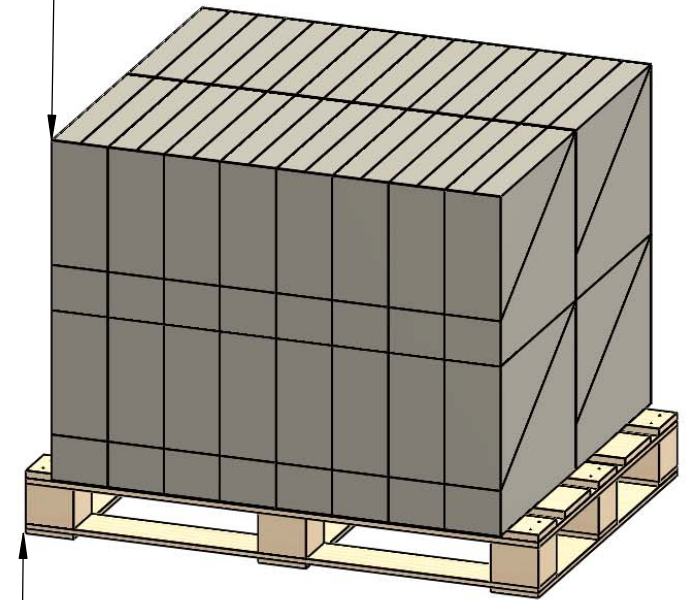


30243 10038552
Made in China

Weight: **778** lbs

LOT# _____ Priority# _____

Total number of cases: 32
Total number of pieces:
32x10=320 pieces on pallet

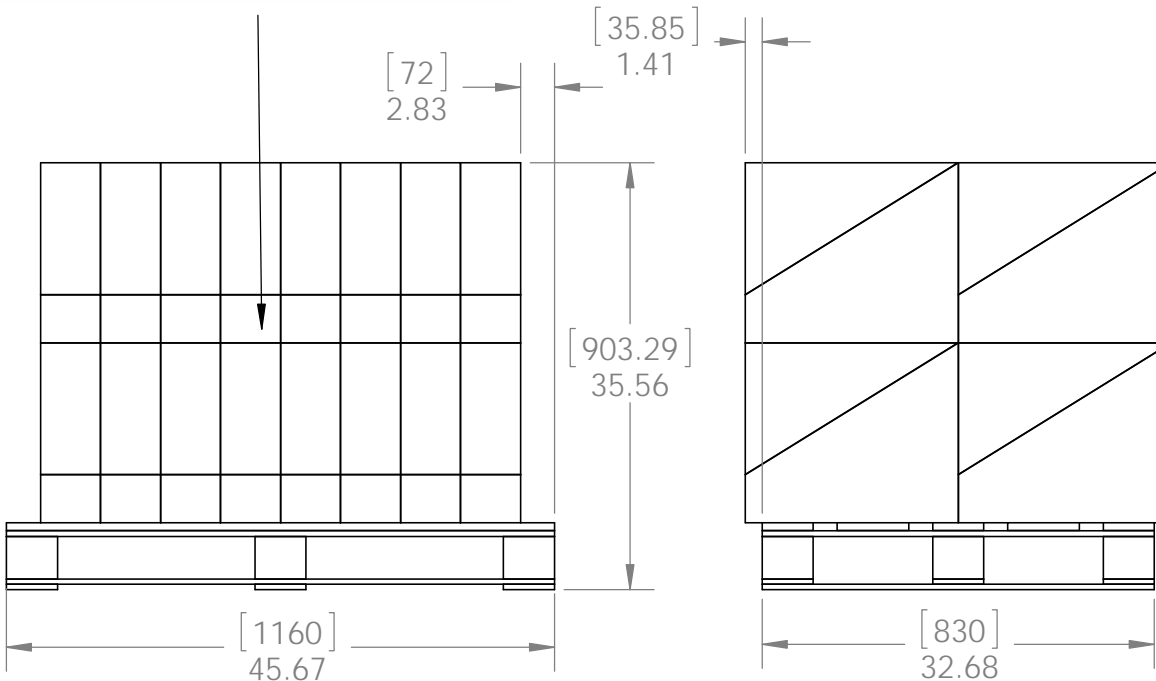


C pallet



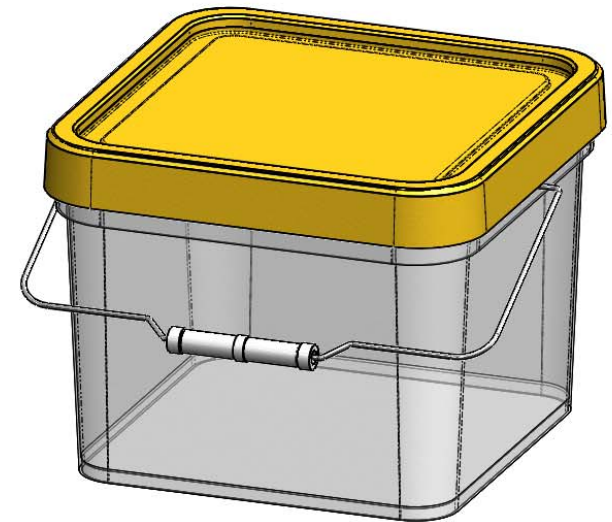
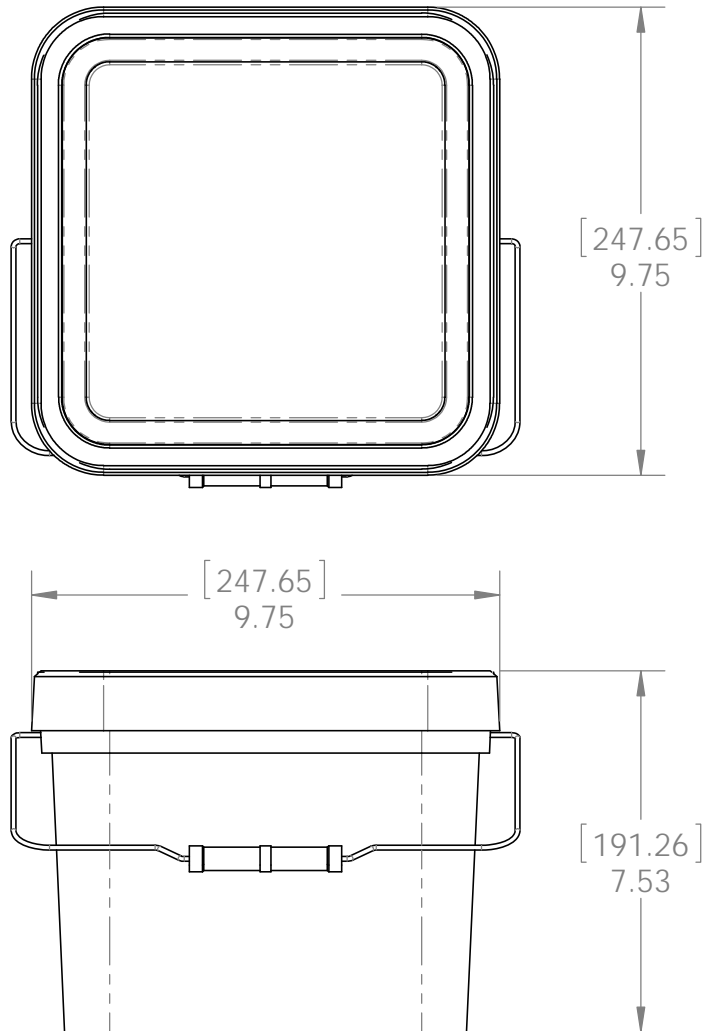
additional pallet packing instructions

- plywood on top layer
- strap to pallet
- clear wrap around boxes



Weight: see label
Scale: 1:2
Last updated: 10/1/2015

OWT Timber Bolts

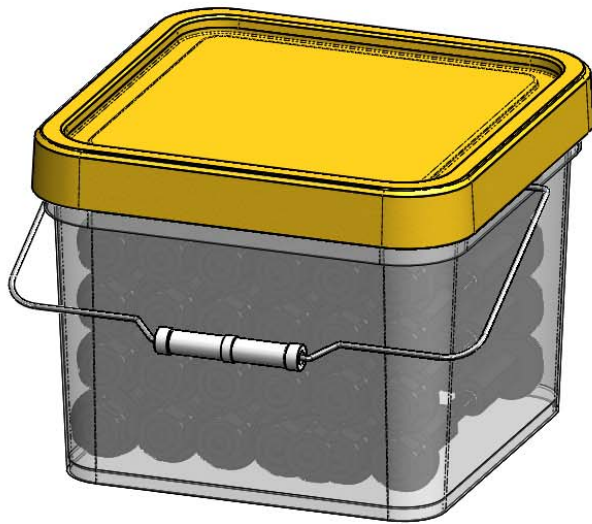


Weight: 0.78 LBS
Scale: 1:4
Last updated: 10/1/2015

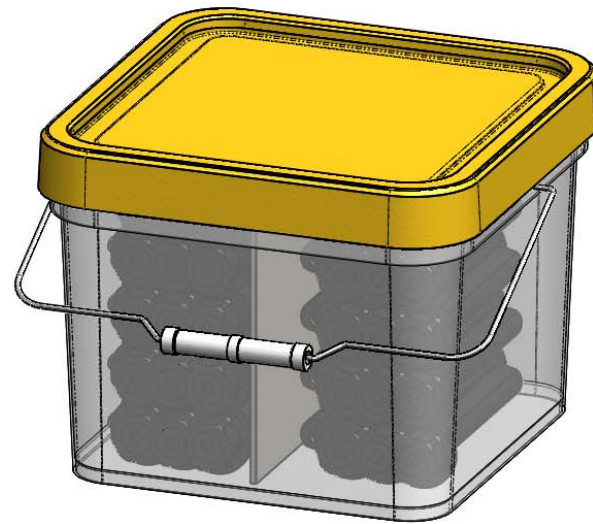
Product & Packaging Specs

Bulk Pack, OWT Timber Bolt

Item #: 16649, 16650, 16651 & 16652



16649 qty 30
16650 qty 30

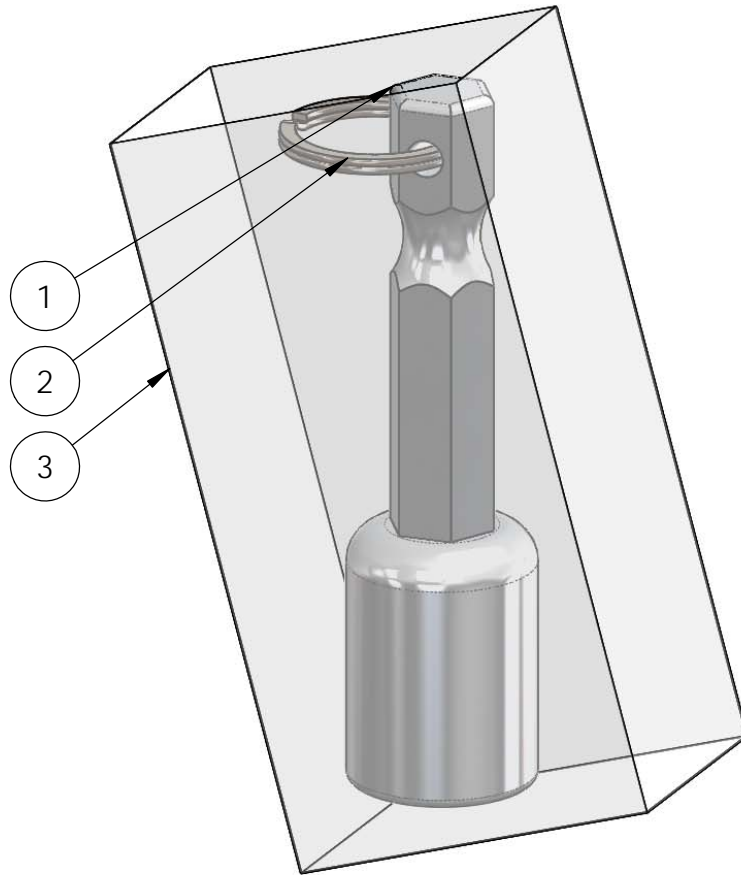


16651 qty 30
16652 qty 25

Scale: 1:4
Last updated: 10/1/2015

Product & Packaging Specs

3/8" Driver
Item #: 3/8" Driver



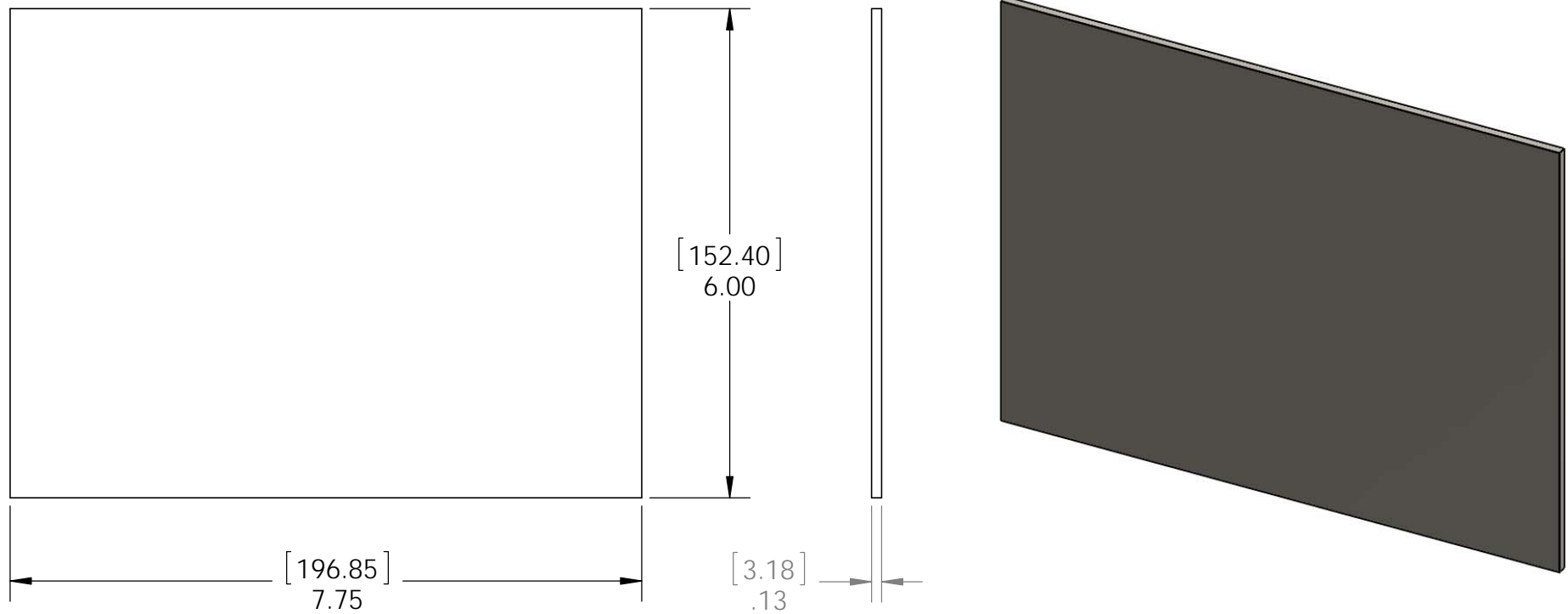
| ITEM NO. | QTY. | PART NUMBER | DESCRIPTION |
|----------|------|------------------|------------------|
| 1 | 1 | .375 driver | .375 driver |
| 2 | 1 | Key Ring | Key Ring |
| 3 | 1 | Bag, 1x2 packing | Bag, 1x2 Packing |

Weight: 0.04 LBS
Scale: 2:1
Last updated: 10/1/2015

Product & Packaging Specs

Divider, Bulk Pack Container

Item #: Divider, Bulk Pack Container

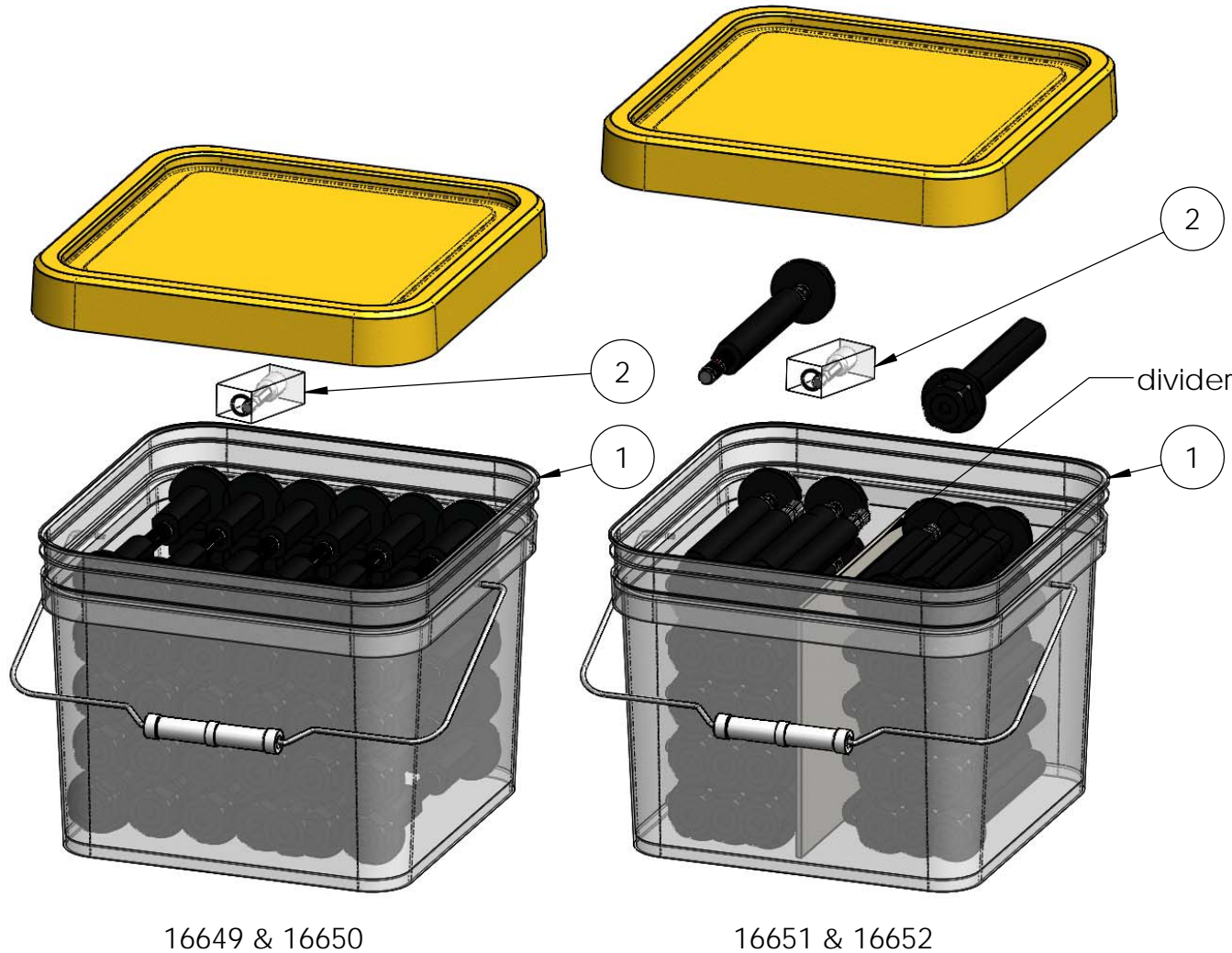


Material: Corrugated Paper
 Finish: Natural
 Weight: 0.03 LBS
 Scale: 1:2
 Last updated: 10/1/2015

Product & Packaging Specs

Bulk Pack, OWT Timber Bolt

Item #: Pail Packing



| ITEM NO. | QTY. | PART NUMBER | DESCRIPTION |
|----------|-----------|----------------------|-----------------|
| 1 | 1 | Plastic Bin | Plastic Bin |
| 2 | 1 | .375 driver assembly | 3/8" Driver |
| 3 | see table | OWT Timber Bolt | OWT Timber Bolt |

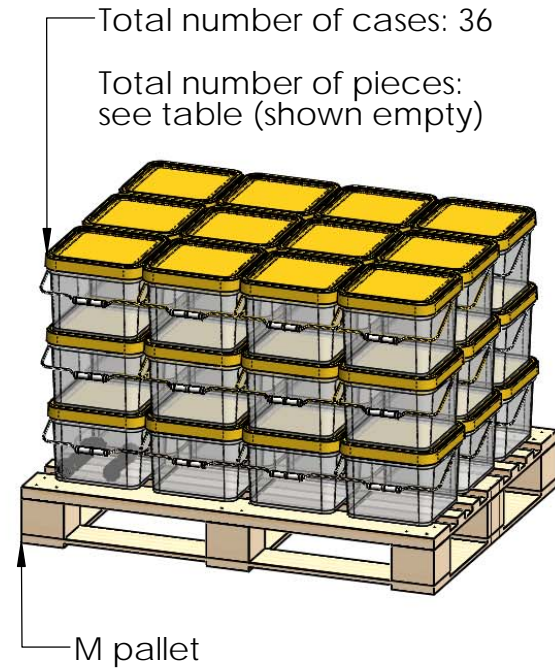
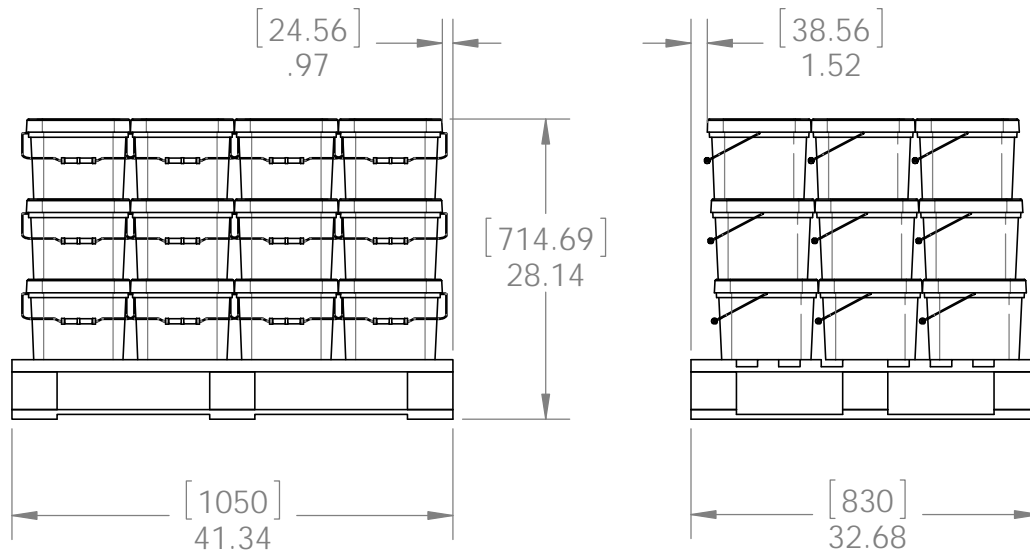
| Bulk Pack part number | OWT Timber Bolt | Quantity | Weight (lbs) |
|-----------------------|-----------------|----------|--------------|
| 16649 | 56649 | 30 | 11.97 |
| 16650 | 56650 | 30 | 13.94 |
| 16651 | 56651 | 30 | 15.39 |
| 16652 | 56652 | 25 | 14.6 |

Scale: 1:4
 Last updated: 10/1/2015

Product & Packaging Specs

Bulk Pack, OWT Timber Bolt

Item #: Pallet Packing



| part number | quantity | weight (lbs) |
|-------------|----------|--------------|
| 16649 | 1080 | 472 |
| 16650 | 1080 | 544 |
| 16651 | 1080 | 598 |
| 16652 | 900 | 565 |



additional pallet packing instructions
 plywood on top layer
 strap to pallet
 clear wrap around boxes
 angle iron or equivalent corners

Scale: 1:4
 Last updated: 10/1/2015