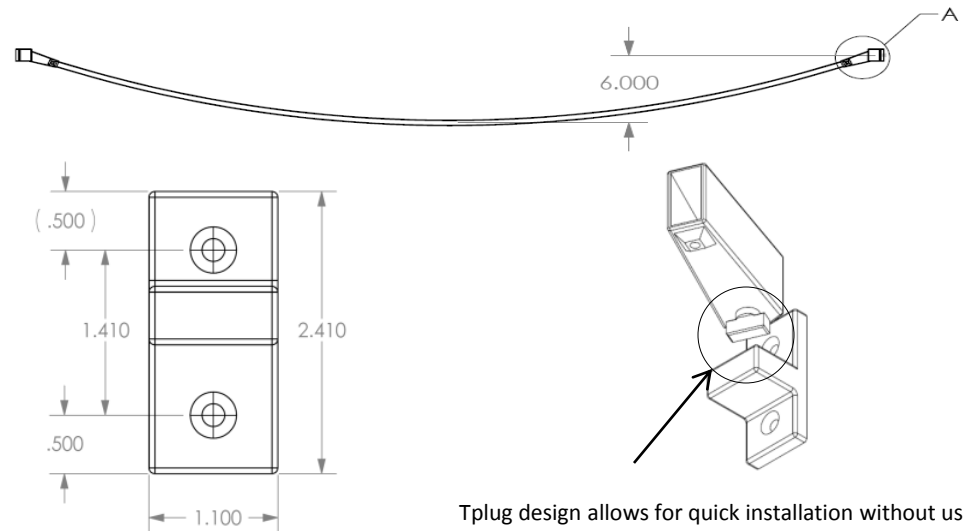


Patent Pending



Tplug design allows for quick installation without using set screws to mount shower bar holder to wall bracket

Installation: **No screws required to assemble wall mounting bracket to the shower bar holder. Easy tplug design allows you to just insert and rotate to connect**

Step 1 - Attach each wall bracket using stainless steel wood screws

Step 2 - Insert shower bar holders tplug into the wall brackets and rotate to connect to wall bracket and insert shower bar

Step 3 - Tighten headless set screws (loctite pre-applied)

Wood blocking is preferred

Materials:

- Wall Brackets – Zinc Die Cast Polished Chrome Plating with PVD Finish
- Shower Bar Holders - Zinc Die Cast Polished Chrome Plating with PVD Finish
- Shower Bar – ½" x 1" 32 gauge 304 Polished Stainless Steel

Limited Warranty

Preferred Bath Accessories LLC warrants to the purchaser that the product will be free from defects in material and workmanship. If the product does not comply with this warranty, Preferred Bath Accessories LLC will repair or replace the product or, at Preferred Bath Accessories LLC'S option, refund the purchase price. The limited warranty period is for the lifetime of the product. Limitations on the Warranty: The warranty does not cover, normal wear and tear, product abuse, neglect, improper installation or maintenance. Purchaser Requirements: If this product does not meet Preferred Bath Accessories LLC.'s warranty, return the product (postage prepaid) to the place of purchase with proof of purchase and a written claim briefly describing the defect. You may be required to provide other information or evidence of the defect.