

NE4231L

Sit-In Tub

FEATURES

- ❖ Universal Tub
- ❖ Waterproof 36" Outward Opening Door with Locking Mechanism
- ❖ ADA Compliant
- ❖ High Volume Tub Filler
- ❖ Hand Held Shower
- ❖ Limited Life Time Warranty on the Door Seal
- ❖ 2" Drain System
- ❖ Front Access Panel
- ❖ Safety Grab Bars
- ❖ Headrest Pillow
- ❖ Easy Installation
- ❖ Available in Left or Right Hand



Left Hand Model Shown

TECHNICAL INFORMATION

- **Materials:** ABS composite acrylic with fiber glass backing
- **Dimensions:** 59 x 32 x 33 IN
- **Non Occupied Water Capacity:** 40-50 gallons

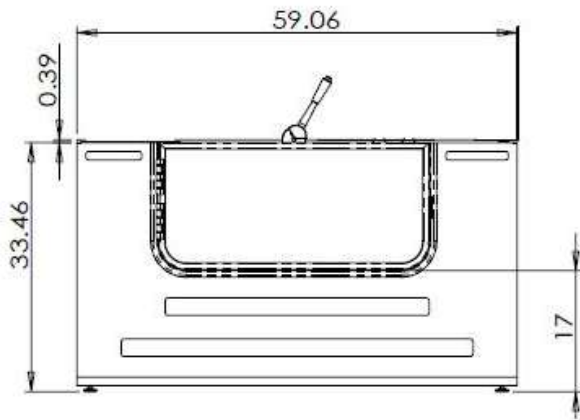
PLUMBING REQUIRMENTS

- Unit is equipped with flexible, metal braided water supply hose with NPT ½ female threaded connectors
- Need to install hot and cold shutoffs with NPT ½ male threaded nipples (not included)
- It is advised to have tub onsite before preparing drain location.

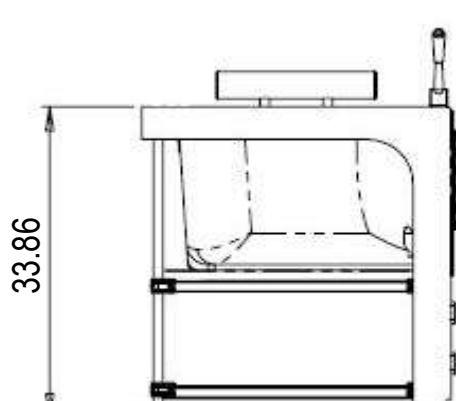
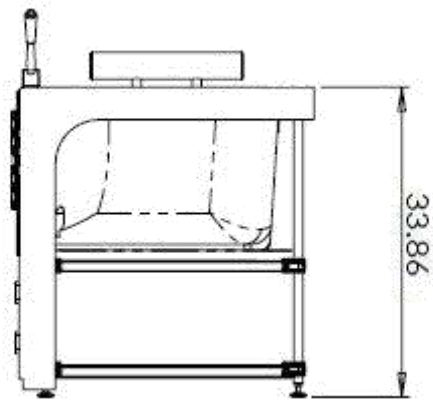
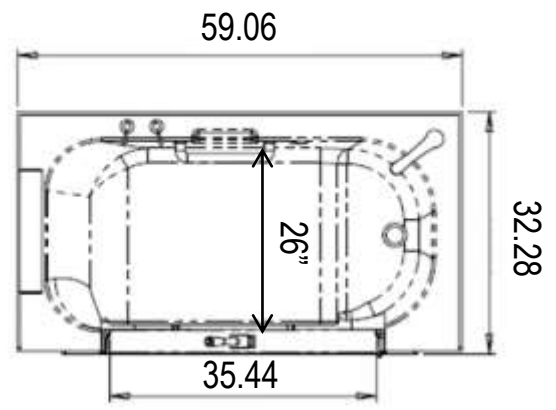
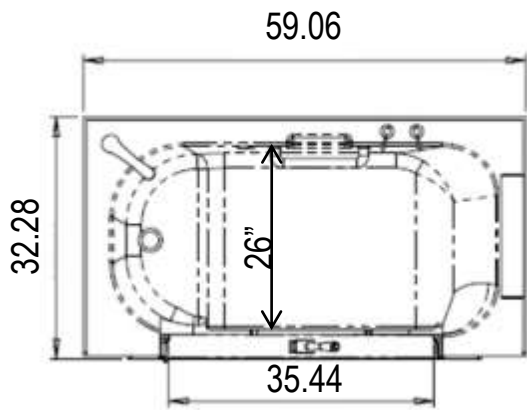
GENERAL INFORMATION

- **Note:** It is advised to have the tub onsite before preparing drain location. Unit must be leveled in its permanent position and all feet must be on the ground to fully support the tub. Tub must be secured to wall and/or floor. **Manufacturer reserves the right to change specs or features at anytime. Please check to confirm details. 1-866-783-2661**

NE4231L-Left



NE4231R-Right



Assembly Steps

