

NE4221L

Sit-In Tub

FEATURES

- ❖ Universal Tub
- ❖ Waterproof 36" Outward Opening Door with Locking Mechanism
- ❖ ADA Compliant
- ❖ High Volume Tub Filler
- ❖ Hand Held Shower
- ❖ Heated air pump with jets
- ❖ Limited Life Time Warranty on the Door Seal
- ❖ 2" Drain System
- ❖ Front Access Panel
- ❖ Safety Grab Bars
- ❖ Headrest Pillow
- ❖ Easy Installation
- ❖ Available in Left or Right Hand



Left Hand Model Shown

TECHNICAL INFORMATION

- **Materials:** ABS composite acrylic with fiber glass backing
- **Dimensions:** 59 x 32 x 33 IN
- **Power supply:** 110 volt
- **Non Occupied Water Capacity:** 40-50 gallons

PLUMBING REQUIRMENTS

- Unit is equipped with flexible, metal braided water supply hose with NPT ½ female threaded connectors
- Need to install hot and cold shutoffs with NPT ½ male threaded nipples (not included)
- It is advised to have tub onsite before preparing drain location.

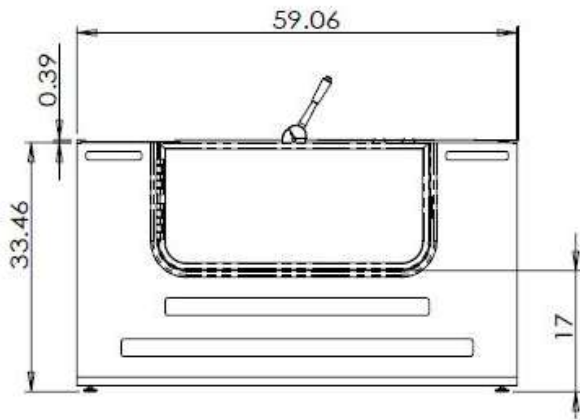
ELECTRICAL INFORMATION FOR HEATED AIR PUMP

- Air jet motor with heater 110 volt
- Dedicated 12-2 wire with 110 volt, 15-20 amp GFCI breaker or GFCI outlet

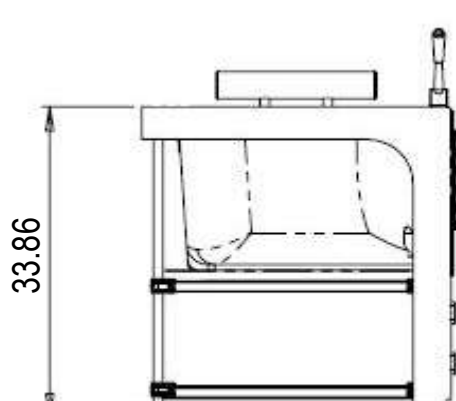
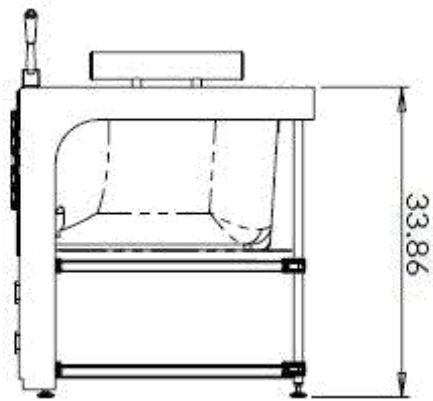
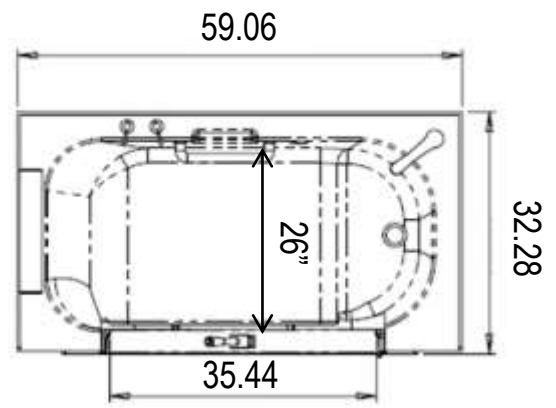
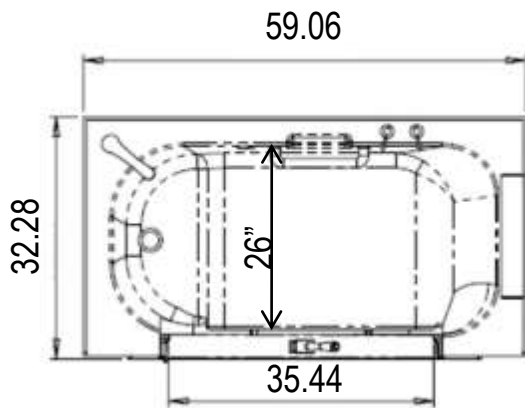
GENERAL INFORMATION

- **Note:** It is advised to have the tub onsite before preparing drain location. Unit must be leveled in its permanent position and all feet must be on the ground to fully support the tub. Tub must be secured to wall and/or floor. **Manufacturer reserves the right to change specs or features at anytime. Please check to confirm details. 1-866-783-2661**

NE4221L-Left



NE4221R-Right



Assembly Steps

