

## Self Contained Units - Macerators

### Sanicompact



**Part# 023**

The Sanicompact is a self contained system that is used to install a half-bathroom up to 9 feet below the sewer line, or even up to 100 feet away from a soil stack. The Sanicompact can handle the effluent from a toilet and sink for residential applications.

The Sanicompact is a combination of a vitreous china toilet bowl and macerator/pump built into one compact unit. This modern shaped self-contained china toilet is especially designed with several ideas in mind:

- For situations where there is not enough space.
- As a toilet that uses a minimum amount of water.
- As a toilet for use with people that have physical limitations.

The Sanicompact needs no gravity flow tank as the flushing action and macerating pump cycle is automatic after pressing a push button on top of the bowl. The flushing mechanism is electrically timed to allow water to pass through the toilet.

By pressing the push button, this activates a timer and a solenoid valve in order to fill and wash the sides of the bowl. The motor starts and the waste and paper are sucked inside where it is macerated and pumped away. The motor stops after approximately 10-15 seconds and the timer programs the refill of the bowl with fresh water.

The standard dual flush version uses 1.28 gpf (4.8 lpf) and 1 gpf (3.8 lpf). To choose either option, the unit is provided with a dual push button. This option allows using less water than any regular toilet but with the same efficiency.

The inside of the Sanicompact comprises of a pressure switch and circuit board assembly, which starts and stops the unit, and the motor, which drives the blade and the pump. The motor is sealed for life in an oil filled enclosure. A common spindle/shaft drives the impeller and the macerator blades. The moving parts therefore are kept to an absolute minimum. Water and organic waste matter, enter the chamber and are reduced to slurry as the macerator blades rotate at 3600 RPM. The reduced solids are picked up and the impeller mounted beneath the motor ejects the waste. The unit pumps the effluent upward to 9 feet and/or 100 feet horizontally (with gravity fall).

The discharge elbow on the back of the Sanicompact can be rotated 360 degrees to fit any type of installation required. A non-return valve, which comes already assembled on the discharge elbow, prevents back flow into the unit.

The Sanicompact is a forced main and does not need to be vented and connected to a vent stack. Other fixtures may need to be vented as per local plumbing codes.

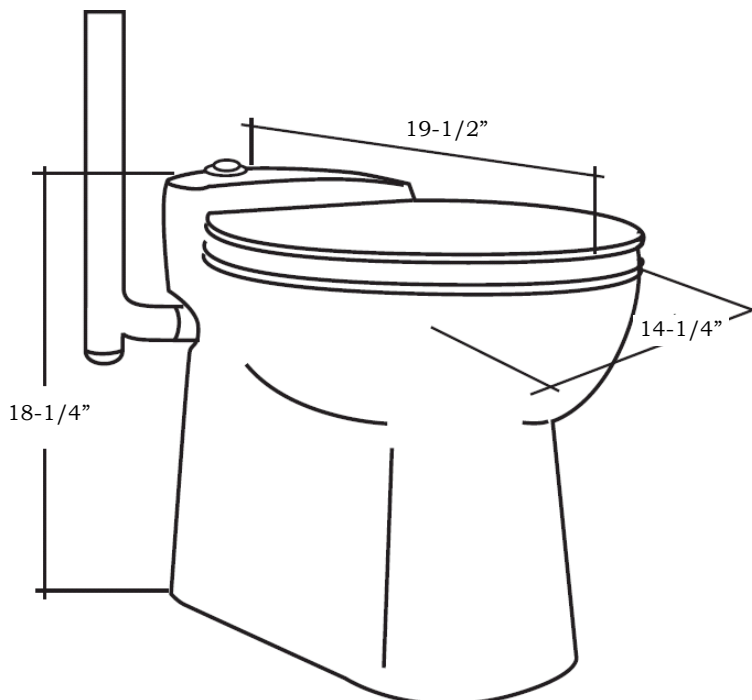
It is also highly recommended for the macerator/pump to be connected to a Ground Fault Interrupter (GFI) circuit.

The Sanicompact has been certified to American and Canadian Standards. Macerating standard; **US:** CSA Certified - ASME A112.3.4, **CA:** Macerating Standard CSA B45.9.

**The Sanicompact is composed by a toilet bowl and motor assembly. It does also include the toilet seat.**

**Specifications:**

<b>Dimensions:</b>	Sanicompact 48 Toilet H 18-1/4" x W 14-1/4" x D 19-1/2" H 46cm x W 36cm x D 50cm
<b>Motor:</b>	Induction Motor (no carbon brushes or gears), tested over 50,000 cycles. 3600 rpm.
<b>Electrical supply:</b>	110-115V; 60Hz; Max Amperage: 7.2 amps; 0.3 HP
<b>Discharge:</b>	Pumps vertically to 9 ft (3 m) Horizontally to 100 ft (33m)
<b>Gravity Fall on Horizontal installations:</b>	1/4" per Ft
<b>Discharge Pipe Diameter:</b>	1"
<b>Construction Materials:</b>	Vitreous China, Polypropylene, C.R.P., stainless steel, Neoprene Max. temp. 95°F (35°C)
<b>Normal Running Time:</b>	10-15 seconds subject to installation pipe run
<b>Water per Flush:</b>	1.28 US gal (4.8 liters) or 1 US gal (3.8 liters)
<b>Discharge Rate:</b>	Discharge Rate at 9 Ft – 13 gal/min (49 l/m) Discharge Rate at 3 Ft - 16 gal/min (61 l/m)
<b>Designed to function with:</b>	Sink



*Install a toilet or bathroom anywhere you like*