



**Culnat™**  
Specialty plumbing products

120 E. Bell Ave.  
Rockdale, TX 76567  
info@culnat.com | culwellflange.com  
855.285.9355

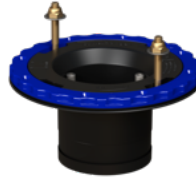
MADE IN USA



**Culwell® Flange**

No leaks, no repairs...no kidding!

**4 in. COMPRESSION  
DROP-FIT MODELS**



U.S.Pat.8,955,172

**TECHNICAL SPECIFICATIONS:**

Culwell® Flange 4-in Compression Drop-Fit models are for tile applications with impermeable floor-covering membranes from 30 to 100 mils thick or without a membrane when the flange is recessed below the finished floor. For replacement or remodeling.

These flanges attach to the sanitary piping system using conventional means that are standard in the industry and are designed to:

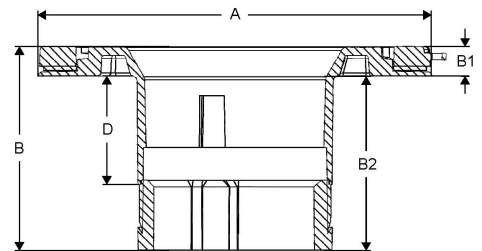
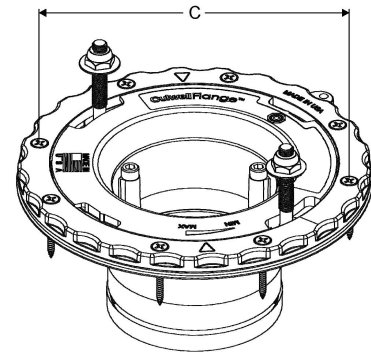
- Allow the flange to seal to the floor, with its flat flush surface design, and seal to a water barrier membrane to prevent water leakage into the subfloor thereby protecting the property from damage
- Easily drops into 4 inch Cast Iron or Schedule 40 DWV pipe for accurate toilet bolt alignment without resistance

**Additional features include:**

- Compression joint that allows up to 3 inches of adjustment to the riser
- Three (3) stainless steel bolts, mechanically tightened from the finished floor to compress the gasket until firmly pressed against the pipe; can adjust and reposition during and after installation
- Two (2) elastomeric sealing gaskets; (1) used for sealing with membrane/ (2) used without membrane
- Eight countersunk holes for secure attachment of the flange to the floor (*Screws NOT included*)
- One-of-a-kind **nylon clamping ring** for superior strength and durability to prevent the need for repair or replacement in the future, backed by Culnat's exclusive **LIMITED LIFETIME WARRANTY**
- Uniquely engineered flat sealing surface for maximum contact between the flange and floor
- Clamping ring that compresses an elastomeric sealing gasket against the floor-covering membrane liner to ensure a water-tight seal, while also engaging with the gasket to keep the closet bolts in place for ease of toilet installation; *Closet bolts are included*

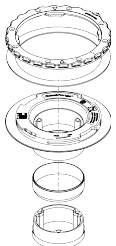
**Ideal for:**  
Wet rooms  
Small spaces  
Multi-floor  
Concrete  
Bariatric/  
Disability  
Commercial/  
Residential

ALL DIMENSIONS ARE IN INCHES		Model Nos.	
		AC4	PC4
<b>A</b>	Overall Diameter	7.56	7.56
<b>B</b>	Max. Overall Height*	3.94	3.94
<b>B1</b>	Flange Height Above Subfloor or Slab* (w/ 1 Sealing Gasket)	0.58	0.58
	Flange Height Above Subfloor or Slab* (w/ 2 Sealing Gaskets)	0.59	0.59
<b>B2</b>	Flange Depth Below Floor	3.25	3.25
<b>C</b>	Screw Centers	6.76	6.76
<b>D</b>	Min. Flange Depth Below Floor to Top of Compression Gasket	2.00	2.00



\*Max. Overall Height and Flange Height Above Subfloor or Slab dimensions do not include additional height attributed to the thickness of the selected floor-covering membrane. Flange height in relation to the finished floor will vary depending on the thickness of the membrane and tile used during installation.

**NOTE:** Dimensional data is subject to customary manufacturing tolerances.



Model No.	Item No.	Description	UPC / GTIN	Ct	Wt (lbs)
<b>AC4</b>		Culwell® Flange 4-in Compression Drop-Fit - Black ABS Plastic	861225000288	1	1.11
			10861225000285	4	6.625
<b>PC4</b>		Culwell® Flange 4-in Compression Drop-Fit - White PVC Plastic	861225000295	1	1.28
			10861225000292	4	7.325

**MATERIALS AND STANDARDS INFORMATION:**

- ABS and PVC flange bodies are made from NSF/ANSI 14 listed materials.
- Clamping rings are made of nylon that has a flexural modulus of at least 2,000 MPa (290,076 psi), as specified in the Basic Property Table (Table PA) of ASTM D4066.