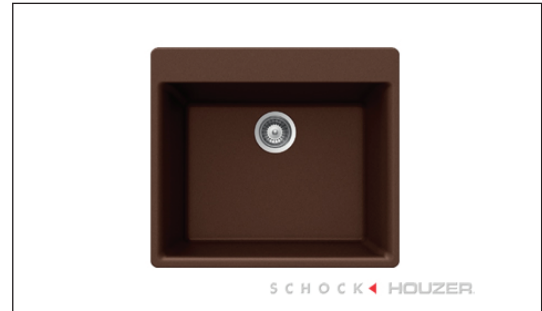


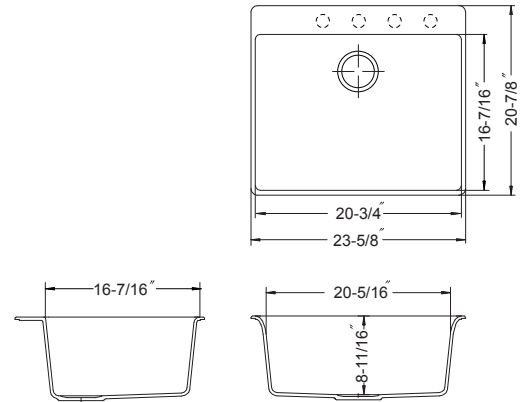
SCHOCK ◀ HOUZER® Topmount Single Bowl Model Gemo N-100



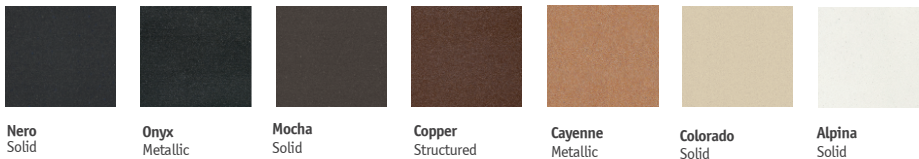
Gemo N-100

FEATURES

- CRISTALITE⁺
- 8-11/16" depth • Pre-scored up to 4 faucet holes
- Intrinsically hygienic Non-porous surface
- Antibacterial protection with silver ion Antibac[®]
- Silky to the touch, 3 times harder than natural granite
- Food-safe, UV-stable-will not fade
- Heat resistance to +500°F
- Highest resistance to thermal shock, scratches and chips
- Color-fast throughout
- Fits 30" sink base • cUPC listed
- Supplied with cutout template, fasteners and instructions
- Lifetime Limited Warranty



OPTIONAL COLORS



Nero
Solid

Onyx
Metallic

Mocha
Solid

Copper
Structured

Cayenne
Metallic

Colorado
Solid

Alpina
Solid

OVERALL DIMENSIONS	EACH BOWL	CUTOUT SIZE	PACKAGING*	WEIGHT*
23-5/8" x 20-7/8"	20-3/4" x 16-7/16"	See Template	1/10 pcs.	35/390lbs.

*Standard packaging: Single boxed /Pallet of single boxed.
All dimensions are in inches. Specifications subject to change without notice.

OPTIONAL ACCESSORIES

Bottom Grid: 629704

Cutting Board : CB-4100

Wire Tray: WT-3500

Strainer Options: Stainless steel strainers,
Color strainers, Color Disposal flanges

Project/Job name

Architect/Engineer

Contractor

Model

Q'ty

Notes