

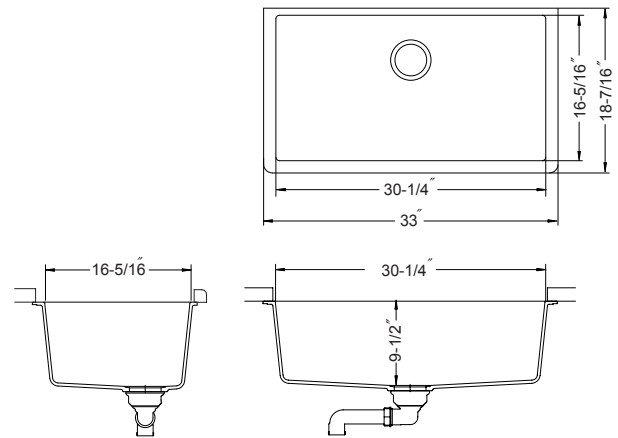
## SCHOCK ◀ HOUZER® Topmount Large Single Bowl Model Virtus N-100XLU



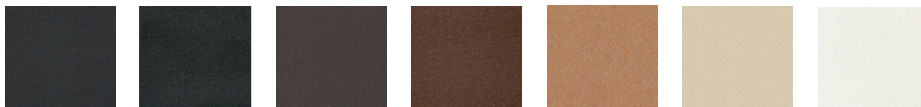
Virtus N-100XLU

### FEATURES

- CRISTALITE+®
- 9-1/2" depth
- Intrinsically hygienic Non-porous surface
- Antibacterial protection with silver ion Antibac®
- Silky to the touch, 3 times harder than natural granite
- Food-safe, UV-stable-will not fade
- Heat resistance to +500°F
- Highest resistance to thermal shock, scratches and chips
- Color-fast throughout
- Fits 36" sink base • cUPC listed
- Supplied with cutout template, fasteners and instructions
- Lifetime Limited Warranty



### OPTIONAL COLORS



**Nero** Solid    **Onyx** Metallic    **Mocha** Solid    **Copper** Structured    **Cayenne** Metallic    **Colorado** Solid    **Alpina** Solid

OVERALL DIMENSIONS	EACH BOWL	CUTOUT SIZE	PACKAGING*	WEIGHT*
33" x 18-7/16"	30-1/4" x 16-5/16"	See Template	1/10 pcs.	45/490lbs.

\*Standard packaging: Single boxed /Pallet of single boxed.  
All dimensions are in inches. Specifications subject to change without notice.

### OPTIONAL ACCESSORIES

Bottom Grid: 629705

Wire Tray: WT-3500

Strainer Options: Stainless steel strainers,  
Color strainers, Color Disposal flanges

Project/Job name

Architect/Engineer

Contractor

Model

Q'ty

Notes