



# MAYTAG® 24" (61 CM) ELECTRIC SINGLE AND DOUBLE BUILT-IN OVEN

## PRODUCT MODEL SERIES

CWE4100AC  
CWE5100AC

**Electrical:** Oven must be connected to the proper electrical voltage and frequency as specified on the model/serial number rating plate. The model/serial number rating plate is located at the bottom right-hand oven surface.

Double oven model rated from 6.5 kw to 8.6 kw at 208 V to 240 V requires a separate 40 amp circuit.

Single oven model rated at 4.4 kw to 5.8 kw at 208 V to 240 V requires a separate 30 amp circuit.

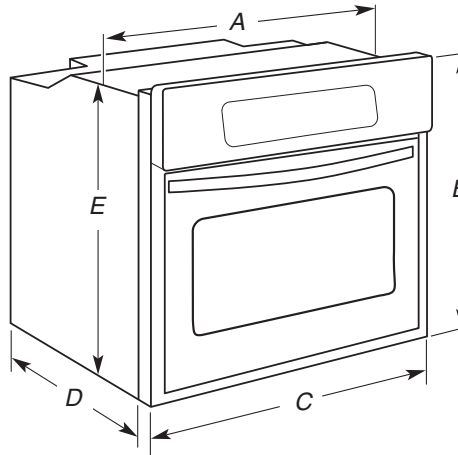
A circuit breaker (or time-delay fuse) is recommended.

Connect directly to the circuit breaker box (or fused disconnect) through flexible, armored or nonmetallic sheathed, copper cable (with grounding wire).

Flexible conduit from the oven should be connected directly to the junction box.

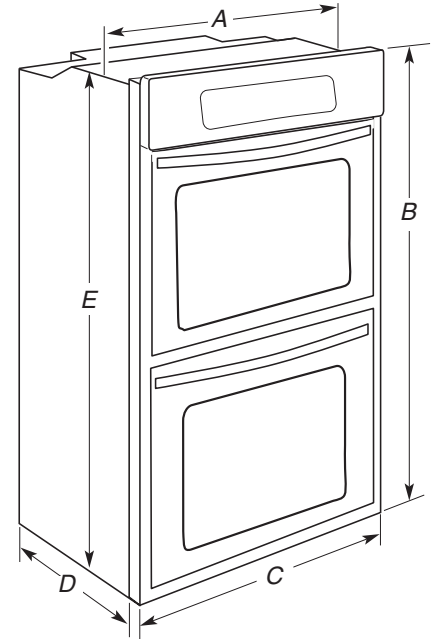
## PRODUCT DIMENSIONS

### Single Oven



- A. 22<sup>1</sup>/<sub>4</sub>" (56.5 cm) max. recessed width
- B. 29<sup>5</sup>/<sub>8</sub>" (75.3 cm) max. overall height
- C. 23<sup>7</sup>/<sub>8</sub>" (60.6 cm) overall width
- D. 22<sup>5</sup>/<sub>8</sub>" (57.5 cm) max. recessed depth
- E. 27<sup>1</sup>/<sub>8</sub>" (70.8 cm) recessed height

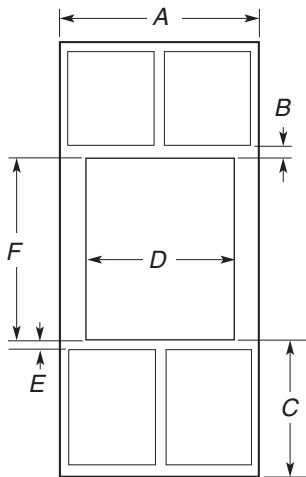
### Double Oven



- A. 22<sup>1</sup>/<sub>4</sub>" (56.5 cm) max. recessed width
- B. 46<sup>5</sup>/<sub>8</sub>" (117.6 cm) max. overall height
- C. 23<sup>7</sup>/<sub>8</sub>" (60.6 cm) overall width
- D. 22<sup>5</sup>/<sub>8</sub>" (57.5 cm) max. recessed depth
- E. 44<sup>5</sup>/<sub>8</sub>" (113.4 cm) recessed height

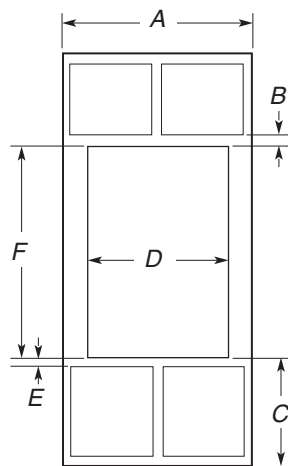
## CABINET OPENING DIMENSIONS

### Single Oven Installed in Cabinet



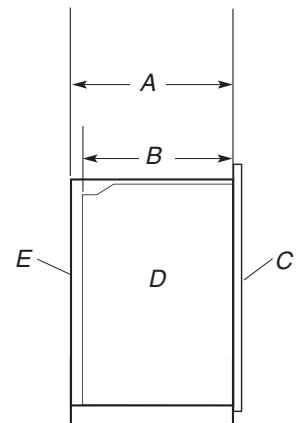
- A. 24" (61 cm) min. cabinet width
- B. 1<sup>1</sup>/<sub>2</sub>" (3.8 cm) top of cutout to bottom of upper cabinet door
- C. 33<sup>1</sup>/<sub>4</sub>" (84.5 cm) min. bottom of cutout to floor
- D. 22<sup>3</sup>/<sub>8</sub>" (56.8 cm) cutout width
- E. 1<sup>1</sup>/<sub>2</sub>" (3.8 cm) min. bottom of cutout to top of cabinet door
- F. 28<sup>1</sup>/<sub>16</sub>" (72.9 cm) cutout height

### Double Oven Installed in Cabinet



- A. 24" (61 cm) min. cabinet width
- B. 1<sup>1</sup>/<sub>2</sub>" (3.8 cm) top of cutout to bottom of upper cabinet door
- C. 17" (43.2 cm) min. bottom of cutout to floor
- D. 22<sup>3</sup>/<sub>8</sub>" (56.8 cm) cutout width
- E. 1<sup>1</sup>/<sub>2</sub>" (3.8 cm) min. bottom of cutout to top of cabinet door
- F. 45<sup>3</sup>/<sub>8</sub>" (115.3 cm) cutout height

### Cabinet Side View – Double or Single Oven



- A. 24" (61 cm) min. cutout depth
- B. 22<sup>5</sup>/<sub>8</sub>" (57.5 cm) recessed oven depth
- C. Oven front
- E. Cabinet