



30" (76 cm) Freestanding Electric Range

BY WHIRLPOOL CORPORATION

PRODUCT MODEL NUMBERS

FEP310V

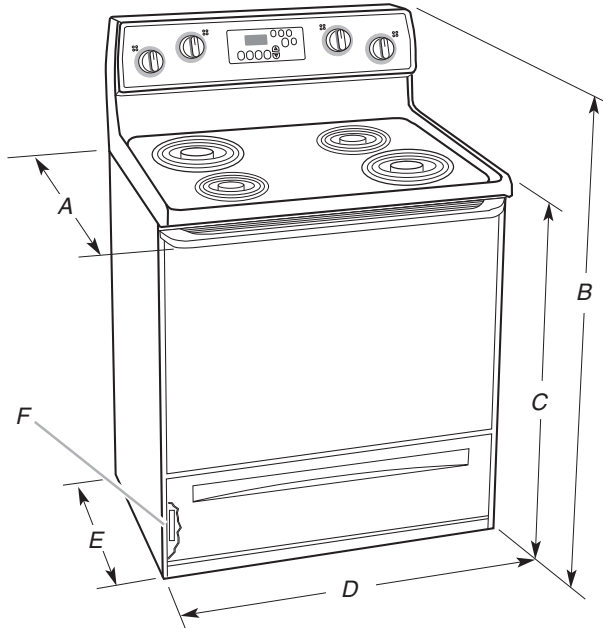
Electrical: Range must be connected to the proper electrical voltage and frequency as specified on the model/serial number rating plate. The model/serial number rating plate is located behind the control panel or on the oven frame behind the storage drawer panel. Refer to the figures in the "Product Dimensions" section.

This range is manufactured with the neutral terminal connected to the cabinet. Use a 3-wire, UL listed, 40- or 50-amp power supply cord (pigtail). If local codes do not permit ground through the neutral, use a 4-wire power supply cord rated at 250 volts, 40 or 50 amps and investigated for use with ranges.

A circuit breaker is recommended.

The range can be connected directly to the circuit breaker box (or fused disconnect) through flexible or nonmetallic sheathed, copper or aluminum cable.

PRODUCT DIMENSIONS



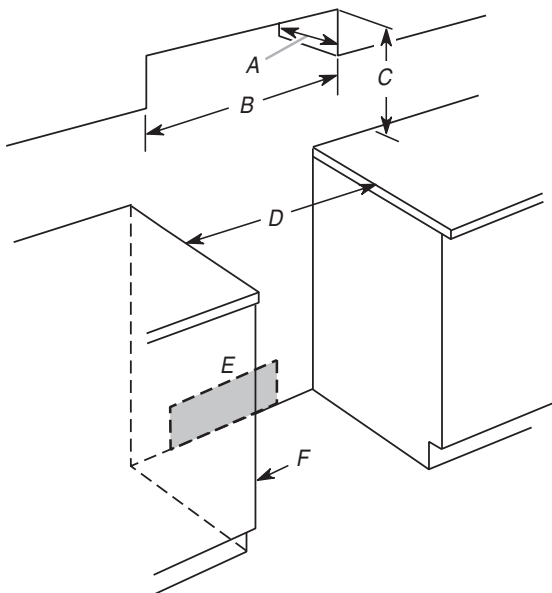
- A. 27¹/₃₂" (69.9 cm) max. depth with handle
- B. 46⁷/₈" (119.1 cm) overall height (max.) with leveling legs screwed all the way in*
- C. 36" (91.4 cm) cooktop height (max.) with leveling legs screwed all the way in*
- D. 29⁷/₈" (75.9 cm) width
- E. 25" (63.5 cm) depth
- F. Model/serial rating plate (located on the left side frame behind storage drawer panel)

*Range can be raised approximately 1" (2.5 cm) by adjusting the leveling legs.

CABINET OPENING DIMENSIONS

Cabinet opening dimensions shown are for:

- 25" (63.5 cm) countertop depth,
- 24" (61 cm) base cabinet depth,
- 36" (91.4 cm) countertop height



- A. 13" (33.0 cm) max. upper cabinet depth
- B. 30" (76.2 cm) min. opening width
- C. For minimum clearance to top of cooktop, see NOTE*.
- D. 30¹/₈" (76.5 cm) min. opening width
- E. Outlet - 8" (20.3 cm) to 22" (55.9 cm) from either cabinet, 5¹/₂" (14.0 cm) max. from floor
- F. 7¹/₈" (2.2 cm) min. required between cutout and cabinet door or hinge.

*NOTE: 24" (61 cm) min. when bottom of wood or metal cabinet is protected by not less than 1/4" (6.4 mm) flame retardant millboard covered with not less than No. 28 MSG sheet steel, 0.015" (0.4 mm) stainless steel, 0.024" (0.6 mm) aluminum or 0.020" (0.5 mm) copper.

30" (76.2 cm) min. clearance between the top of the cooking platform and the bottom of an unprotected wood or metal cabinet.