

KitchenAid® 30", 36" and 48" (76.2, 91.4 and 121.9 cm) Commercial Style Dual Fuel Convection Ranges

FOR THE WAY IT'S MADE.®

PRODUCT MODEL NUMBERS

| | | |
|----------|----------|----------|
| KDRS407V | KDRS467V | KDRU763V |
| KDRS462V | KDRS483V | KDRU767V |
| KDRS463V | KDRU707V | KDRU783V |

Gas Supply Requirements:

Type of Gas

Natural gas:

- This range is factory set for use with Natural gas. See "Gas Conversions" section. The model/serial rating plate located on the oven frame behind the left side of the broiler door has information on the types of gas that can be used. If the types of gas listed do not include the type of gas available, check with the local gas supplier.

LP gas conversion:

Conversion must be done by a qualified service technician.

No attempt shall be made to convert the appliance from the gas specified on the model/serial rating plate for use with a different gas without consulting the serving gas supplier. See "Gas Conversions" section.

Gas Supply Line

- Provide a gas supply line of 3/4" (1.9 cm) rigid pipe to the range location. A smaller size pipe on longer runs may result in insufficient gas supply. With LP gas, piping or tubing size can be 1/2" (1.3 cm) minimum. Usually, LP gas suppliers determine the size and materials used in the system.

NOTE: Pipe-joint compounds that resist the action of LP gas must be used. Do not use TEFLON®† tape.

Flexible metal appliance connector:

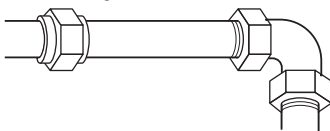
- If local codes permit, a new CSA design-certified, 4 to 5 ft (122 to 152.4 cm) long, 5/8" (1.6 cm) or 3/4" (1.9 cm) I.D., flexible metal appliance connector may be used for connecting range to the gas supply line.



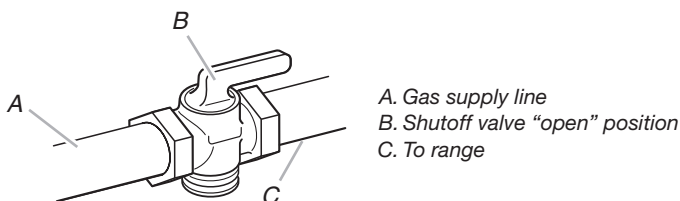
- A 1/2" (1.3 cm) male pipe thread is needed for connection to the female pipe threads of the inlet to the appliance pressure regulator.
- Do not kink or damage the flexible metal tubing when moving the range.

Rigid pipe connection:

The rigid pipe connection requires a combination of pipe fittings to obtain an in-line connection to the range. The rigid pipe must be level with the range connection. All strains must be removed from the supply and fuel lines so range will be level and in line.



- Must include a shutoff valve: The supply line must be equipped with a manual shutoff valve. This valve should be located in the same room but external to the range opening, such as an adjacent cabinet. It should be in a location that allows ease of opening and closing. Do not block access to shutoff valve. The valve is for turning on or shutting off gas to the range.



†®TEFLON is a registered trademark of E.I. Du Pont Nemours and Company.

Electrical Connection

- Range must be connected to the proper electrical voltage and frequency as specified on the model/serial number rating plate. The model/serial number rating plate is located on the right vertical surface of the oven door frame. Refer to the illustrations in the "Product Dimensions" section of the "Location Requirements" section.
- This range may be manufactured with a 4-wire power supply cord, or it may not include a power supply cord. If your range does not include a power supply cord, use a 4-wire power supply cord rated at 250 volts, 40 or 50 amps and investigated for use with ranges.

| Range Rating* | | Specified Rating of Power Supply Cord Kit and Circuit Protection | |
|----------------|----------------|--|--------------------------------|
| 120/240 Volts | 120/208 Volts | Amps | Range Size |
| 8.8 - 16.5 KW | 7.8 - 12.5 KW | 40 or 50** | 30" (76.2 cm) 36" (91.4 cm) |
| 16.6 - 22.5 KW | 12.6 - 18.5 KW | 50 | 48" (121.9 cm) |

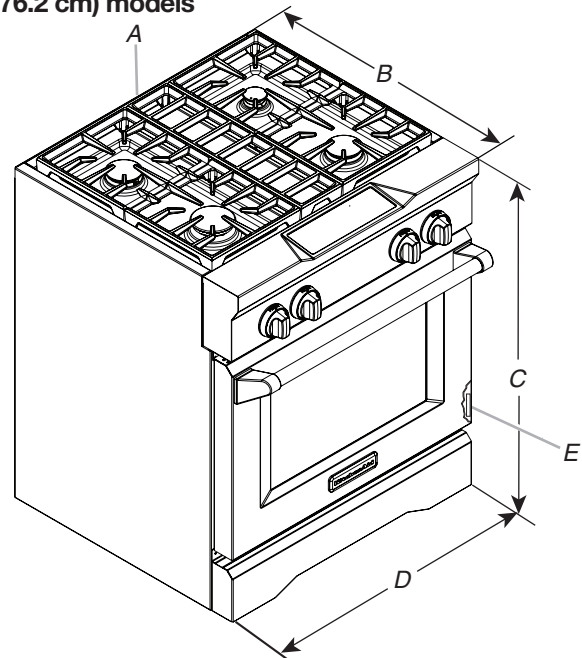
*The NEC calculated load is less than the total connected load listed on the model/serial rating plate.

**If connecting to a 50-amp circuit, use a 50-amp rated cord with kit. For 50-amp rated cord kits, use kits that specify use with a nominal 1 3/8" (34.9 mm) diameter connection opening.

- A circuit breaker is recommended.

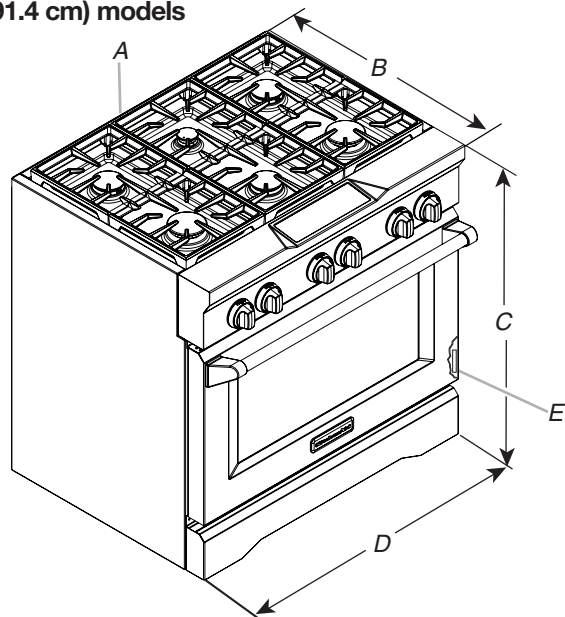
PRODUCT DIMENSIONS

30" (76.2 cm) models



- A. Optional backguard may be installed.
- B. 27 3/4" (70.5 cm) depth with control panel, see NOTE*.
- C. 35 3/4" (90.8 cm) cooktop height when setting on the wheels
- D. 30" (76.2 cm) width
- E. Model/serial rating plate location

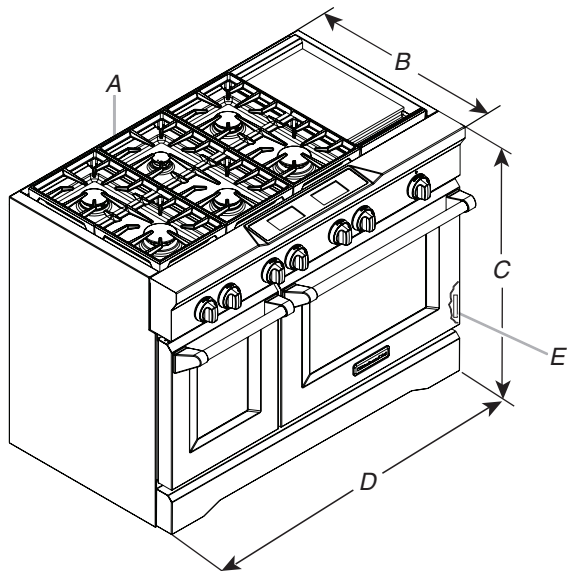
36" (91.4 cm) models



- A. Optional backguard may be installed.
- B. 27 $\frac{3}{4}$ " (70.5 cm) depth with control panel, see NOTE*.
- C. 35 $\frac{3}{4}$ " (90.8 cm) cooktop height when setting on the wheels
- D. 36" (91.4 cm) width
- E. Model/serial rating plate location

48" (121.9 cm) models

NOTE: The following illustration is for dimension planning purposes only, and the locations and appearances of the features shown may not match those of your model.



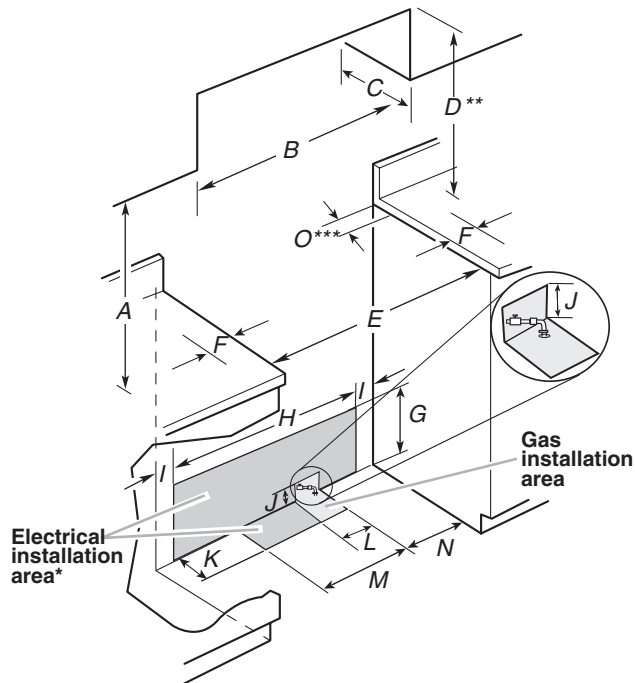
- A. Optional backguard may be installed.
- B. 27 $\frac{3}{4}$ " (70.5 cm) depth with control panel, see NOTE*.
- C. 35 $\frac{3}{4}$ " (90.8 cm) cooktop height when setting on the wheels
- D. 48" (121.9 cm) width
- E. Model/serial rating plate location

***NOTE:** When installed in a 24" (61.0 cm) base cabinet with 25" (63.5 cm) countertop; front of oven door protrudes 1 $\frac{7}{8}$ " (4.8 cm) beyond 24" (61.0 cm) base cabinet.

CABINET DIMENSIONS

Cabinet opening dimensions shown are for 25" (64 cm) countertop depth, 24" (61 cm) base cabinet depth and 36" (91.4 cm) countertop height. Dimensions must be met in order to ensure a flush fit to back wall.

IMPORTANT: If installing a range hood or a hood liner above the range, follow the range hood or hood liner installation instructions for dimensional clearances above the cooktop surface.



- A. 18" (45.7 cm) upper cabinet to countertop
- B. 30" (76.2 cm) model: 30" (76.2 cm) min. upper cabinet width
36" (91.4 cm) model: 36" (91.4 cm) min. upper cabinet width
48" (121.9 cm) model: 48" (121.9 cm) min. upper cabinet width
- C. 13" (33 cm) max. upper cabinet depth
- D. For minimum clearance to top of range, see NOTE**.
- E. 30 $\frac{1}{4}$ " (76.8 cm) on 30" (76.2 cm) models
36 $\frac{1}{4}$ " (92.1 cm) on 36" (91.4 cm) models
48 $\frac{1}{4}$ " (122.6 cm) on 48" (121.9 cm) models
- F. 6" (15.2 cm) min. clearance from both sides of range to side wall or other combustible material
- G. 15" (38.1 cm)
- H. 22" (55.9 cm) on 30" (76.2 cm) models
28" (71.1 cm) on 36" (91.4 cm) models
40" (101.6 cm) on 48" (121.9 cm) models
- I. 1 $\frac{1}{2}$ " (3.8 cm)
- J. 3" (7.6 cm)
- K. 5" (12.7 cm)
- L. 6" (15.2 cm) on 30" (76.2 cm) models
14" (35.5 cm) on 36" (91.4 cm) models
24" (61.0 cm) on 48" (121.9 cm) models
- M. 10 $\frac{1}{2}$ " (26.7 cm)
- N. 6" (15.2 cm)
- O. 6" (15.2 cm), see NOTE***

* **NOTE:** Receptacle must be rotated 90° for Canadian installation.

** **NOTE: Minimum Clearances**

30" (76.2 cm) models: 30" (76.2 cm) minimum clearance between the top of the cooking platform and the bottom of an uncovered wood or metal cabinet.

36" (91.4 cm) models: 42" (106.7 cm) minimum clearance between the top of the cooking platform and the bottom of an uncovered wood or metal cabinet.

48" (121.9 cm) models: 42" (106.7 cm) minimum clearance between the top of the cooking platform and the bottom of an uncovered wood or metal cabinet.

*** **NOTE:** If backwall is constructed of a combustible material and a backguard is not installed, a 6" (15.2 cm) minimum clearance is required for all models.