

FRONT LOAD WASHER AND DRYER PEDESTAL

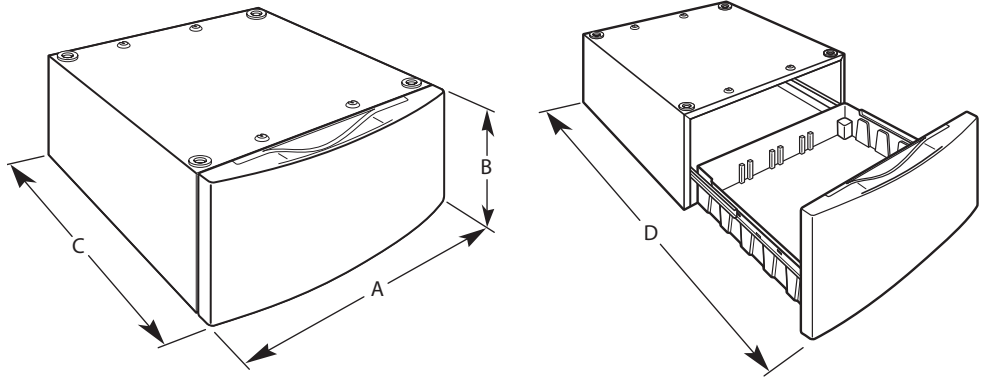
PRODUCT MODEL NUMBERS

| | |
|-----------|-----------|
| XHPC155XG | XHPC155YC |
| XHPC155XL | XHPC155WW |
| XHPC155XR | XHPC155YU |
| XHPC155XW | XHPW155DW |

LOCATION REQUIREMENTS

If the washer/dryer and pedestal assembly are located in a garage, 3" (76 mm) must be added under the pedestal so that the washer/dryer is 18" (458 mm) above the garage floor.

PRODUCT DIMENSIONS



| Width - "A" | Height - "B" | Depth - includes drawer "C" | Depth - Drawer open "D" |
|--------------|--------------|-----------------------------|-------------------------|
| 27" (686 mm) | 15" (381 mm) | 27½" (699 mm) | 41½" (1054 mm) |