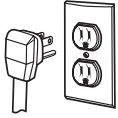




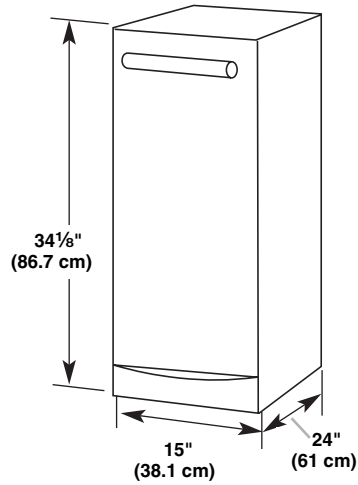
PRODUCT MODEL NUMBERS

TU950QPX

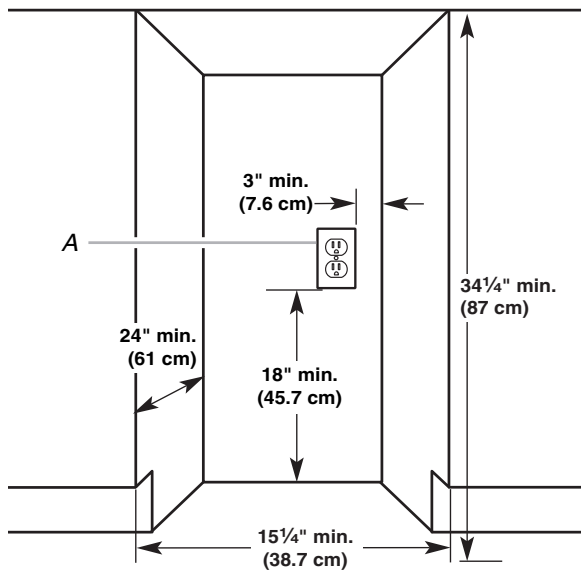
This compactor is for use on a single phase, 115-volt, 60 Hz, AC only, 15- or 20-amp fused and properly grounded circuit and is equipped with a grounding plug as shown below. It is recommended that a separate circuit serving only this appliance be provided.



PRODUCT DIMENSIONS

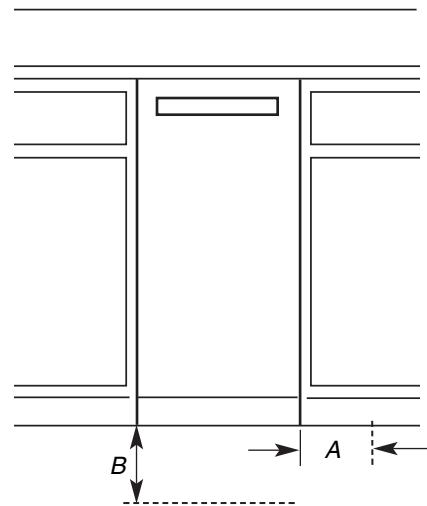


CUTOUT DIMENSIONS



A. Grounded electrical outlet must be a minimum of 3" (7.6 cm) away from surrounding cabinets or nearby walls as shown. It can be placed either to the left or the right side of the product.

CLEARANCE DIMENSIONS



A. Leave 6" (15.2 cm) of clearance space to the right side of the compactor in order to remove the compactor bags.
 B. Leave 23" (58.4 cm) of clearance in front of the compactor in order to fully open or remove the compactor drawer.