

KitchenAid® Undercounter Dishwasher

FOR THE WAY IT'S MADE.®

PRODUCT MODEL NUMBERS

KDFE454C	KUDE60HX
KUDC10FX	KUDE60SX
KUDC10IX	KUDE70FX
KUDE20FB	KUDL15FX
KUDE20FX	KUDS30CX
KUDE20IX	KUDS30FX
KUDE40FX	KUDS30IX
KUDE48FX	KUDS30SX
KUDE50CX	KUDS35FX
KUDE60FX	

Electrical Requirements: 120-volt, 60 Hz, AC-only, 15- or 20 amp fused electrical supply. Copper wire only. A time-delay fuse or circuit breaker and separate circuit is recommended.

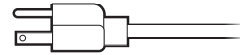
If direct wiring dishwasher: Use flexible, armored or nonmetallic, sheathed copper wire with grounding wire that meets the wiring requirements for your home and local codes and ordinances.



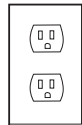
Use a UL Listed or CSA Approved conduit connector.

If connecting dishwasher with a power supply cord:

Use Power Supply Cord Kit (Part Number 4317824) marked for use with dishwashers. Follow the kit instructions for installing the power supply cord.



Power supply cord must plug into a grounded three-prong outlet, located in the cabinet next to the dishwasher opening. Outlet must meet all local codes and ordinances.

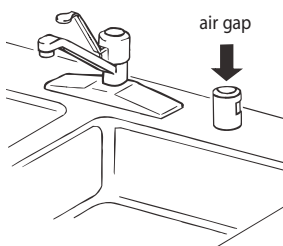


Water Supply Requirements: A hot water line with 20 to 120 psi (138 to 862 kPa) water pressure. Water temperature must be 120°F (49°C) water at dishwasher. Use 3/8" O.D. copper tubing with compression fitting or flexible braided supply line (1/2" minimum plastic tubing is not recommended). Use a 90° elbow with 3/4" N.P.T. external pipe threads on one end. Do not solder within 6" (15.2 cm) from water inlet valve.

Drain Requirements: A new drain hose is supplied with your dishwasher. If this is not long enough, use a new drain hose with a maximum length of 12' (3.7 m) (Part Number 3385556) that meets all current AHAM/IAPMO test standards, is resistant to heat and detergent, and fits the 1" (2.5 cm) drain connector of the dishwasher.

Make sure to connect the drain hose to waste tee or disposer inlet above drain trap in house plumbing and 20" (50.8 cm) minimum above the floor. It is recommended

that the drain hose either be looped up and securely fastened to the underside of the counter, or be connected to an air gap.



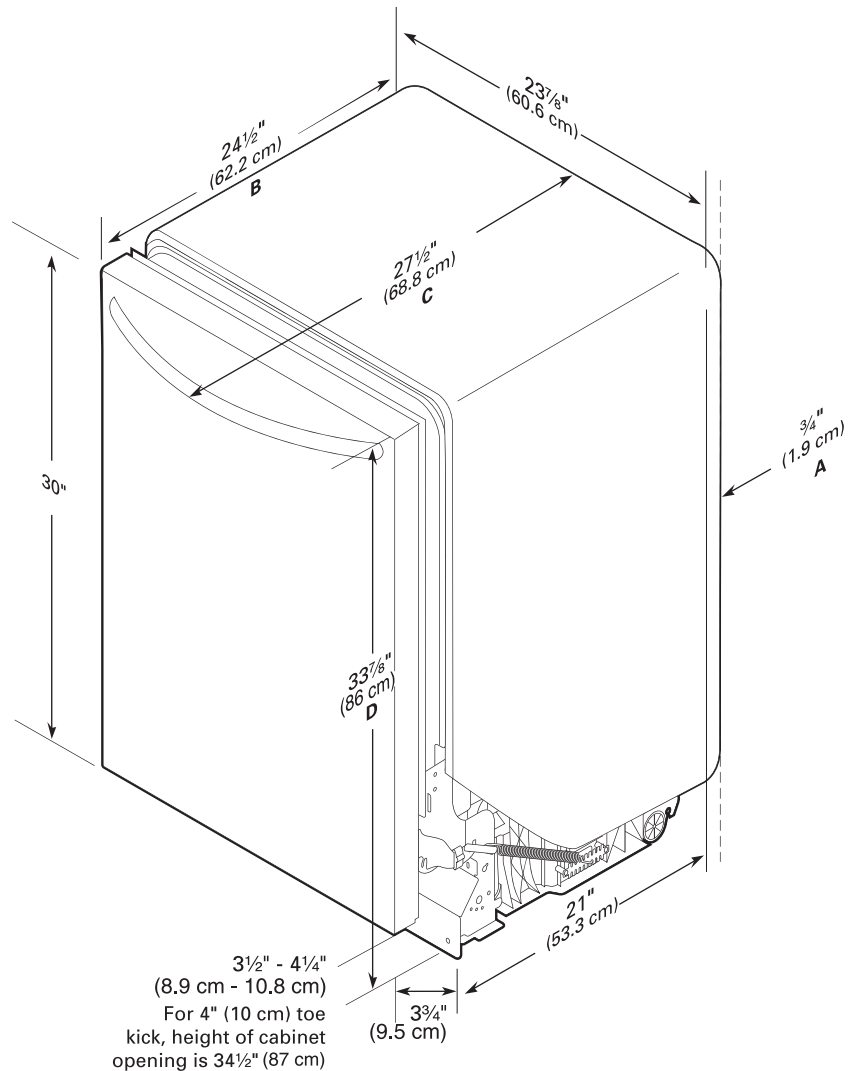
Make sure to use an air gap if the drain hose is connected to house plumbing lower than 20" (50.8 cm) above subfloor or

floor.

Use 1/2" (1.3 cm) minimum I.D. drain line fittings.

If required, the air gap should be installed in accordance with the air gap installation instructions. When you connect the air gap a rubber hose (not provided) will be needed to connect to the waste tee or disposer inlet.

PRODUCT DIMENSIONS



A. Insulation may be compressed (not used on all models).

B. For panel ready models, dishwasher depth is 24" (61 cm) not including the 3/4" (1.9 cm) custom door panel.

C. For Pro Line® handle, depth is 28" (71 cm).

CABINET CUTOUT DIMENSIONS

NOTE: Shaded areas of cabinet walls show where utility connections may be installed.

- D.** Measured from the lowest point on the underside of countertop. May be reduced to $33\frac{7}{8}$ " (86 cm) by removing wheels from dishwasher, or $33\frac{3}{4}$ " (85.7 cm) by removing wheels AND perforated section in the insulation blanket.
- E.** Minimum, measured from narrowest point of opening.

