

# KitchenAid® 30" (76.2 cm) Freestanding Gas Range

## PRODUCT MODEL NUMBERS

KFGG500E      KFGS510E      KFGS530E

## GAS SUPPLY REQUIREMENTS

### Type of Gas:

#### Natural Gas:

- This range is factory set for use with Natural gas. See "Gas Conversions" section. The model/serial/rating plate is located on the oven frame behind the top right-hand side of the oven door has information on the types of gas that can be used. If the types of gas listed do not include the type of gas available, check with the local gas supplier.

#### LP gas conversion:

Conversion must be done by a qualified service technician.

No attempt shall be made to convert the appliance from the gas specified on the model/serial/rating plate for use with a different gas without consulting the serving gas supplier. See "Gas Conversions" section.

#### Gas Supply Line

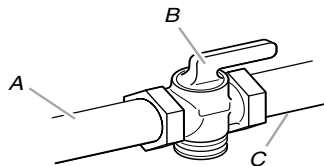
- Provide a gas supply line if  $\frac{3}{4}$ " (1.9 cm) rigid pipe to the range location. A smaller pipe on longer runs may result in insufficient gas supply. With LP gas, piping or tubing size can be  $\frac{1}{2}$ " (1.3 cm) minimum. Usually, LP gas suppliers determine the size and materials used in the system. **NOTE:** Pipe-joint compounds that resist the action of LP gas must be used. Do not use TEFLON tape.

#### Flexible metal appliance connector:

- If local codes permit, a new CSA design-certified, 4 to 5 ft (122 to 152.4 cm) long,  $\frac{1}{2}$ " (1.3 cm) or  $\frac{3}{4}$ " (1.9 cm) I.D. (inside diameter), flexible metal appliance connector may be used for connecting range to the gas supply line.

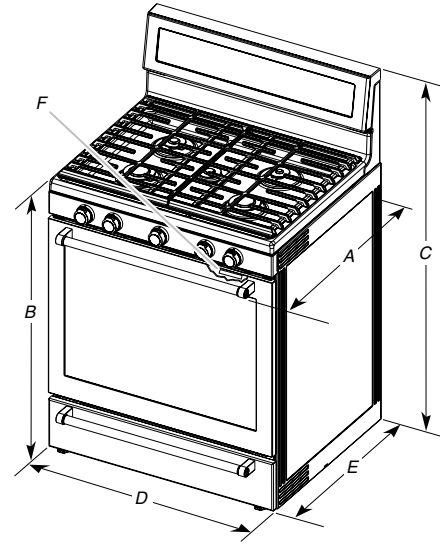


- A  $\frac{1}{2}$ " (1.3 cm) male pipe thread is needed for connection to the female pipe threads of the inlet to the appliance pressure regulator.
- Do not kink or damage the flexible metal tubing when moving the range.
- Must include a shutoff valve:  
The supply line must be equipped with a manual shutoff valve. This valve should be located in the same room but external to the range opening, such as an adjacent cabinet. It should be in a location that allows ease of opening and closing. Do not block access to shutoff valve. The valve is for turning on or shutting off gas to the range.



A. Gas supply line  
B. Shutoff valve "open" position  
C. To range

## PRODUCT DIMENSIONS



- A. 27 7/8" (70.8 cm) max. depth with handle
- B. 36" (91.4 cm) cooktop height (max.) with leveling legs screwed in all the way\*
- C. 47 1/8" (119.7 cm) overall height (max.) with leveling legs screwed in all the way\*
- D. 29 7/8" (75.9 cm) width
- E. 25 7/16" (64.6 cm) depth. Back of range to front of cooktop\*\*
- F. Model/serial/rating plate (located on the oven frame behind the top right-hand side of the oven door)

\* Model/serial/rating plates may be rotated up from behind the control panel for viewing front the front of the range.

\*\* Front door and drawer may extend farther forward, depending on styling.

## ELECTRICAL REQUIREMENTS

A 120 volt, 60 Hz., AC only, 15-amp fused, electrical circuit is required. A time-delay fuse or circuit breaker is also recommended. It is recommended that a separate circuit serving only this range be provided.

®TEFLON is a registered trademark of E.I. Du Point De Nemours and Company.

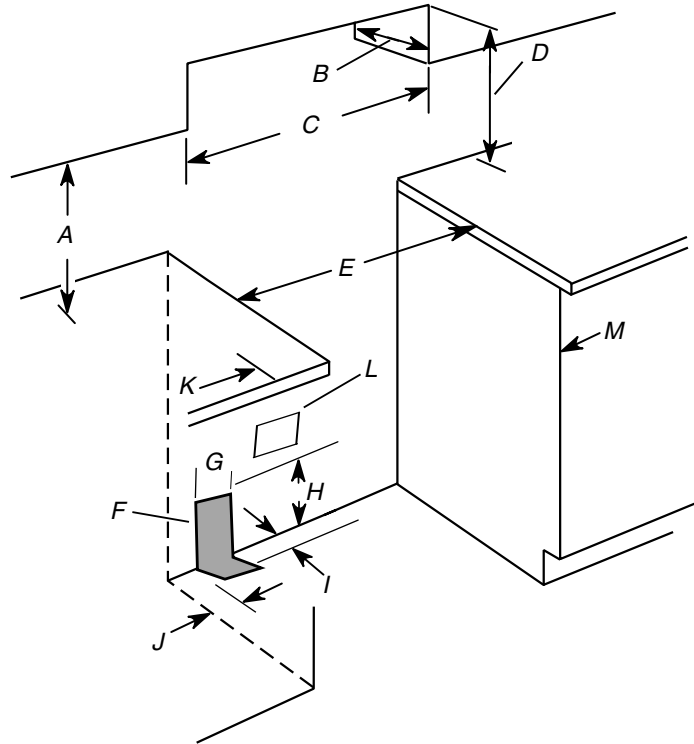
Because Whirlpool Corporation includes a continuous commitment to improve our products, we reserve the right to change materials and specifications without notice.

Dimensions are for planning purposes only. For complete details, see Installation Instructions packed with product. Specifications subject to change without notice.

## INSTALLATION CLEARANCES

Cabinet opening dimensions shown are for 25" (64.0 cm) countertop depth, 24" (61.0 cm) base cabinet depth and 36" (91.4 cm) countertop height.

**IMPORTANT:** If installing a range hood or microwave hood combination above the range, follow range hood or microwave hood combination installation instructions for dimensional clearances above the cooktop surface.



- A. 18" (45.7 cm) upper side cabinet to countertop
- B. 13" (33 cm) max. upper cabinet depth
- C. 30" (76.2 cm) min. opening width
- D. For minimum clearance to top of cooktop, see NOTE\*.
- E. In U.S.A.: 30 1/8" (76.5 cm) min. opening width
- F. The shaded areas are recommended for installation of rigid gas pipe.
- G. 11" (27.9 cm)
- H. 17" (43.2 cm)
- I. 2" (5.1 cm)
- J. 4 1/2" (11.4 cm)
- K. 3" (7.6 cm) min. clearance from both sides of range to side wall or other combustible material.
- L. Grounded outlet
- M. Cabinet door or hinges should not extend into the cutout.

\* **NOTE:** 24" (61 cm) minimum when bottom of wood or metal cabinet is covered by not less than 1/4" (0.64 cm) flame retardant millboard covered with not less than No. 28 MSG sheet steel, 0.015" (0.4 mm) stainless steel, 0.024" (0.6 mm) aluminum or 0.020" (0.5 mm) copper.  
30" (76.2 cm) minimum clearance between the top of the cooking platform and the bottom of an uncovered wood or metal cabinet.