

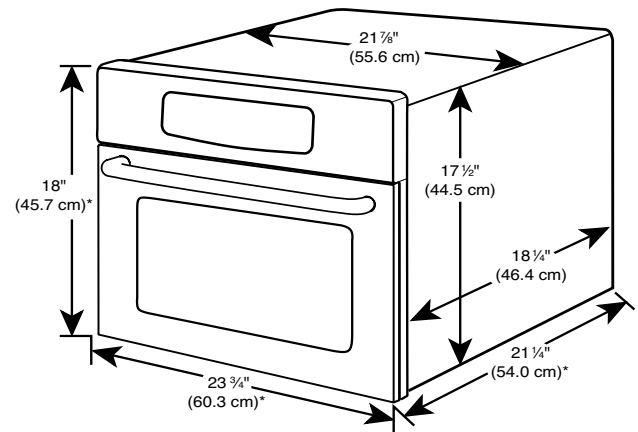
# KitchenAid® 24" (61.0 CM), 27" (68.6 CM) AND 30" (76.2 CM) BUILT-IN MICROWAVE OVEN

## PRODUCT MODEL NUMBERS

KMBS104E

**Electrical:** 120 volt, 60 Hz, AC only, 15- or 20-amp fused electrical supply. A time-delay fuse or circuit breaker and separate circuit is recommended.

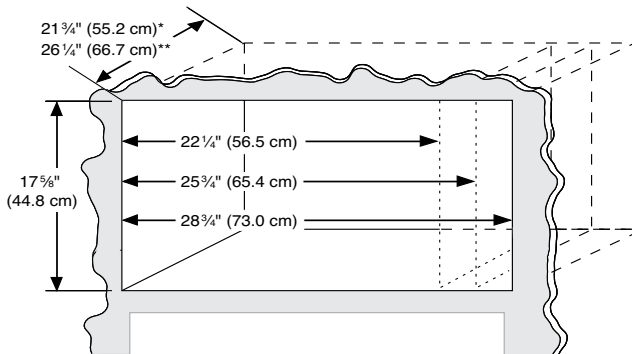
## PRODUCT DIMENSIONS



\*Measurements include front facing of microwave oven. Depth measurement also includes door handle.

## CABINET OPENING DIMENSIONS

### Front View

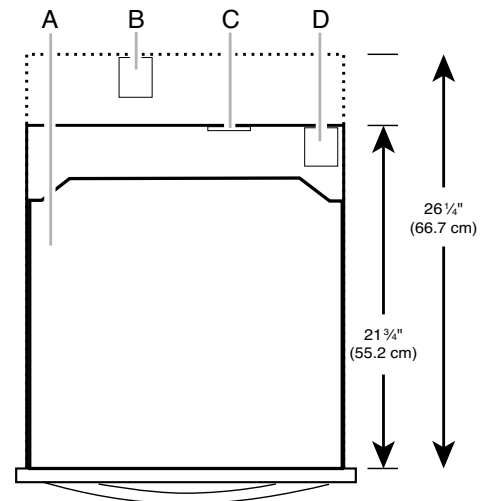


\*With flush receptacle, or with non-flush receptacle located in upper right or upper left corner of cutout.

**NOTE:** Depth dimension may be 21<sup>3</sup>/<sub>4</sub>" (55.2 cm) with non-flush receptacle only if the receptacle is located in upper right or upper left corner. See "Cutout Top View."

\*\*With non-flush receptacle.

### Cutout Top View



- A. Microwave oven
- B. Non-flush receptacle
- C. Flush receptacle
- D. Non-flush receptacle located in upper right or upper left corner

DIM.	24" (61.0 CM) INSTALLATION	27" (68.6 CM) INSTALLATION	30" (76.2 CM) INSTALLATION
<b>Width</b>	22 <sup>1</sup> / <sub>4</sub> " (56.5 cm) ± 3/16" (4.8 mm)	25 <sup>3</sup> / <sub>4</sub> " (65.4 cm) ± 3/16" (4.8 mm)	Min. 25 <sup>3</sup> / <sub>4</sub> " (65.4 cm) Max. 28 <sup>3</sup> / <sub>4</sub> " (73.0 cm)
<b>Height</b>	17 <sup>5</sup> / <sub>8</sub> " (44.8 cm) for all installations		
<b>Depth</b>	21 <sup>3</sup> / <sub>4</sub> " (55.2 cm) with flush receptacle, or with non-flush receptacle located in far corner; 26 <sup>1</sup> / <sub>4</sub> " (66.7 cm) with non-flush receptacle		