

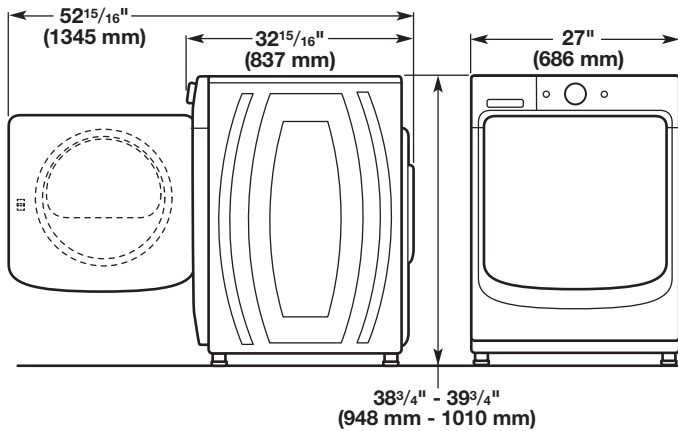


Front-Loading Washer

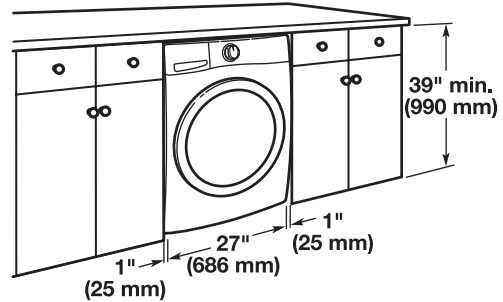
PRODUCT MODEL NUMBERS

MHW3000B, MHW3500B, MHW4000B, MHW4200B, MHW6000A, MHW7000A, MHW8000A, MHW3100D, MHW4100D, MHW4300D, MHW4400D, MHW5100D, MHW5400D, MHW7100D, MHW8100D, MHW3505F, MHW3500F, MHW5500F, MHW8200F, MHW8150E

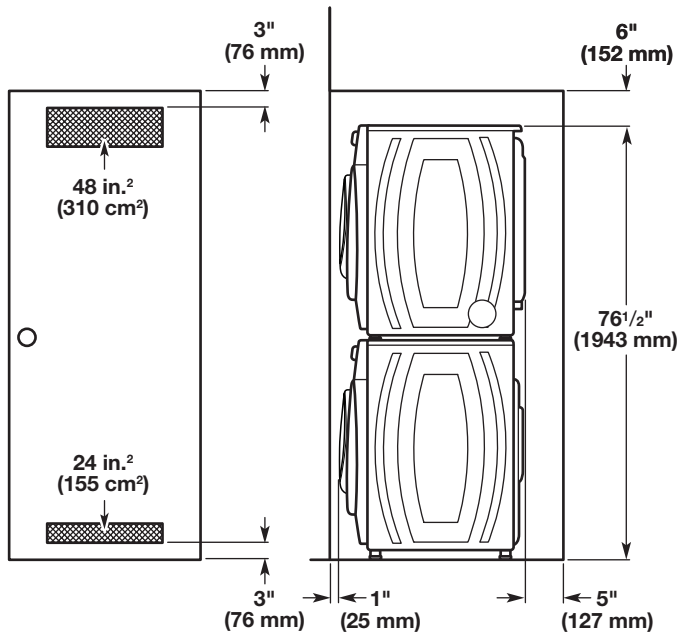
Washer Dimensions:



Undercounter installation - washer only:

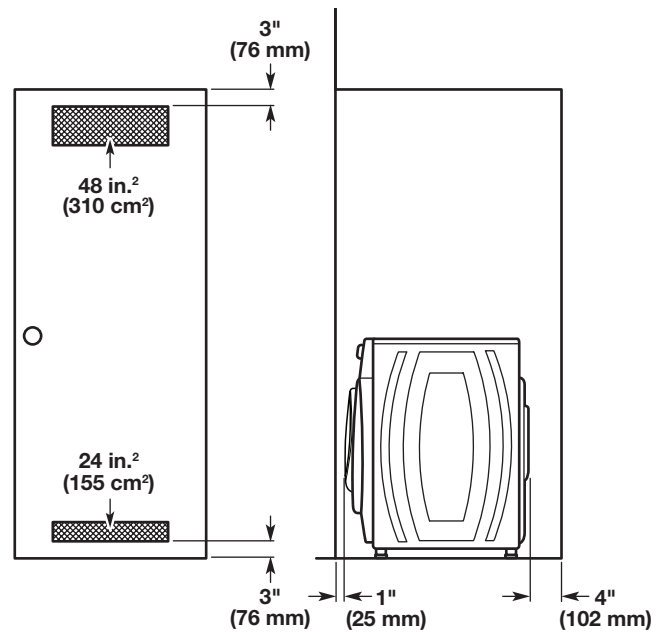


Recessed or closet installation - stacked washer and dryer



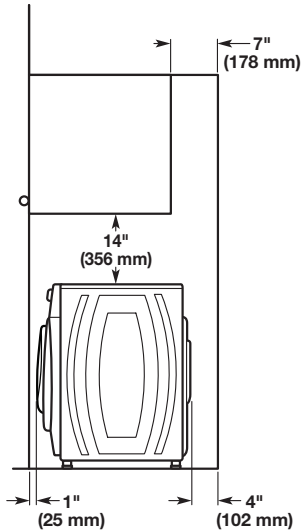
*Add spacing of 1" (25 mm) on all sides of washer/dryer.

Recessed area or closet installation (washer only):



*Add spacing of 1" (25 mm) on all sides of washer.

Custom cabinet installation (washer only):



**Recommended 4" (102 mm), minimum 1.5" (38 mm)

All dimensions show recommended spacing allowed, except for closet door ventilation openings, which are the minimum required. For each arrangement, consider allowing more space for ease of installation and servicing, spacing for companion appliances, and clearances for walls, doors, and floor moldings.

Space must be large enough to allow door to fully open. Add spacing of 1" (25 mm) on all sides of washer to reduce noise transfer. If a closet door or louvered door is installed, top and bottom air openings in door are required.

ELECTRICAL REQUIREMENTS

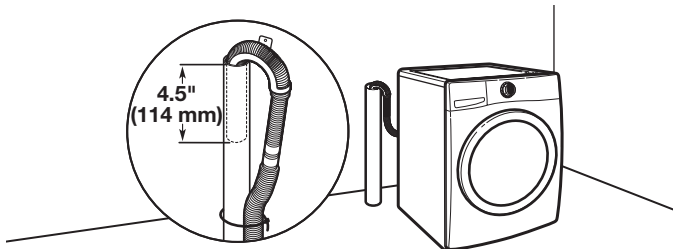
A 120-volt, 60-Hz., AC only, 15- or 20-amp fused electrical supply is required. A time-delay fuse or circuit breaker is recommended. It is recommended that a separate circuit serving only this appliance be provided.

DRAIN SYSTEM

Drain system can be installed using a floor drain, wall standpipe, floor standpipe, or laundry tub. Select method you need.

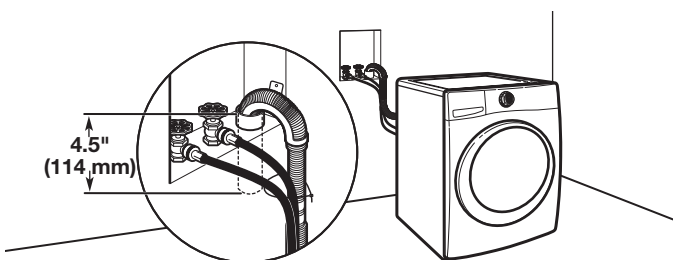
IMPORTANT: To avoid siphoning, only 4.5" (114 mm) of drain hose should be inside standpipe. Always secure drain hose with a cable tie.

Floor standpipe drain system



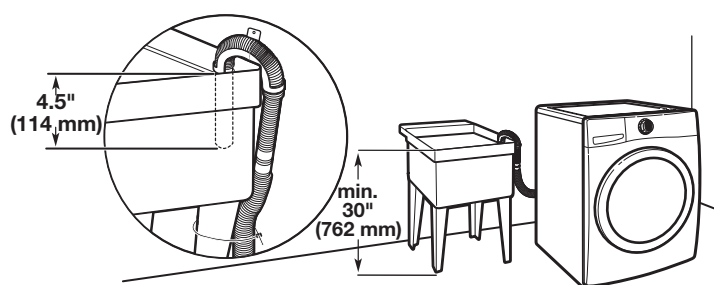
Minimum diameter for a standpipe drain: 2" (51 mm). Minimum carry-away capacity: 17 gal. (64 L) per minute. A 1/4" (6 mm) diameter to 1" (25 mm) diameter Standpipe Adapter Kit is available (Part Number 3363920). Top of standpipe must be at least 30" (762 mm) high; install no higher than 96" (2.44 m) from bottom of washer. If you have an overhead sewer and need to pump higher than 96" (2.44 m), a sump pump and associated hardware are needed. See "Alternate Parts".

Wall standpipe drain system



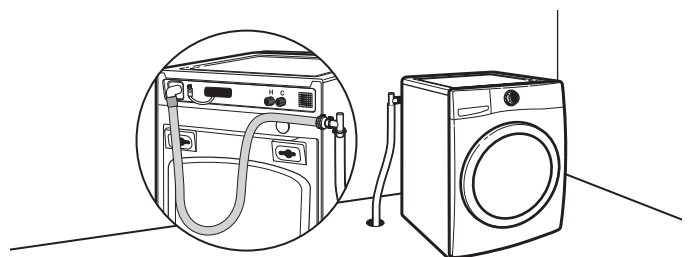
See requirements for floor standpipe drain system.

Laundry tub drain system



Minimum capacity: 20 gal. (76 L). Top of laundry tub must be at least 30" (762 mm) above floor; install no higher than 96" (2.44 m) from bottom of washer.

Floor drain system



Floor drain system requires a Siphon Break Kit (Part Number 285834), 2 Connector Kits (Part Number 285835), and an Extension Drain Hose (Part Number 285863) that may be purchased separately. See "Alternate Parts". Minimum siphon break height: 28" (710 mm) from bottom of washer. Additional hoses may be needed.