

Undercounter Dishwasher

PRODUCT MODEL NUMBERS

UDT555SAFP

Electrical Requirements: 120-volt, 60-Hz, AC-only, 15- or 20-amp fused electrical supply. Copper wire only. A time-delay fuse or circuit breaker and separate circuit is recommended.

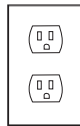
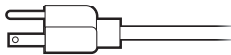
If direct wiring dishwasher: Use flexible, armored or nonmetallic, sheathed copper wire with grounding wire that meets the wiring requirements for your home and local codes and ordinances.

Use a UL Listed or CSA Approved strain relief.

If connecting dishwasher with a power supply cord:

Use Power Supply Cord Kit (Part Number 4317824) marked for use with dishwashers. Follow the kit instructions for installing the power supply cord.

Power supply cord must plug into a grounded three-prong, outlet, located in the cabinet next to the dishwasher opening. Outlet must meet all local codes and ordinances.



Water Supply Requirements: A hot water line with 20 to 120 psi (138 to 862 kPa) water pressure. Water temperature must be 120°F (49°C) water at dishwasher. Use 3/8" O.D. copper tubing with compression fitting or flexible braided water supply line. (**NOTE:** 1/2" minimum plastic tubing is not recommended). Use a 90° elbow with 3/4" hose connection with rubber washer. Do not solder within 6" (15.2 cm) of the water inlet valve.

Drain Requirements:

■ Use the new drain hose supplied with your dishwasher.

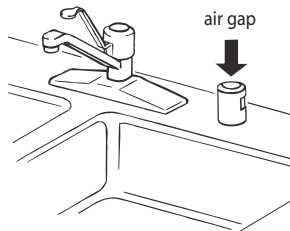
NOTE: If a longer drain hose is required:

- Use a new drain hose with maximum length of 10 ft (3 m) that meets all current AHAM/IAPMO test standards.
- Use a new drain hose that is resistant to heat and detergent
- Use a new drain hose that fits the 1" (2.5 cm) drain connector on the dishwasher.
- Connect drain hose to waste tee or disposal inlet above drain trap in house plumbing.
- Connect drain hose to house plumbing 20" (50.8 cm) minimum above the floor.

NOTE: It is recommended that the drain hose either be looped up and securely fastened to the underside of the counter, or be connected to an air gap.

■ Use a drain air gap if the drain hose is connected to house plumbing lower than 18" (45.7 cm) above the subfloor or floor.

Drain Air Gap

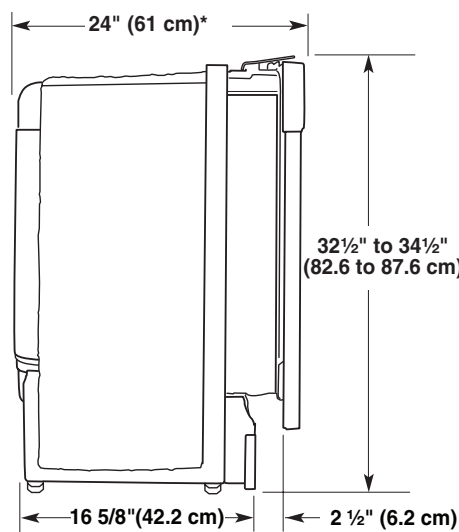


■ Use 1/2" (1.3 cm) minimum I.D. drain line fittings.

NOTE: Do not connect drain lines from other devices to the dishwasher drain hose.

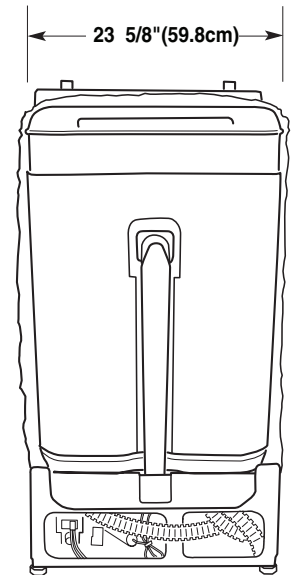
PRODUCT DIMENSIONS

Side View

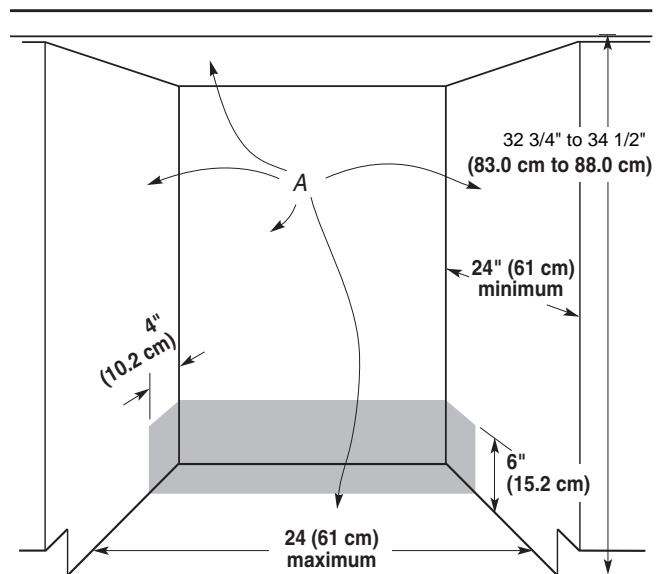


* To front of door frame

Rear View



CABINET CUTOUT DIMENSIONS



A. All surfaces free from intrusions

* Underside of countertop to floor

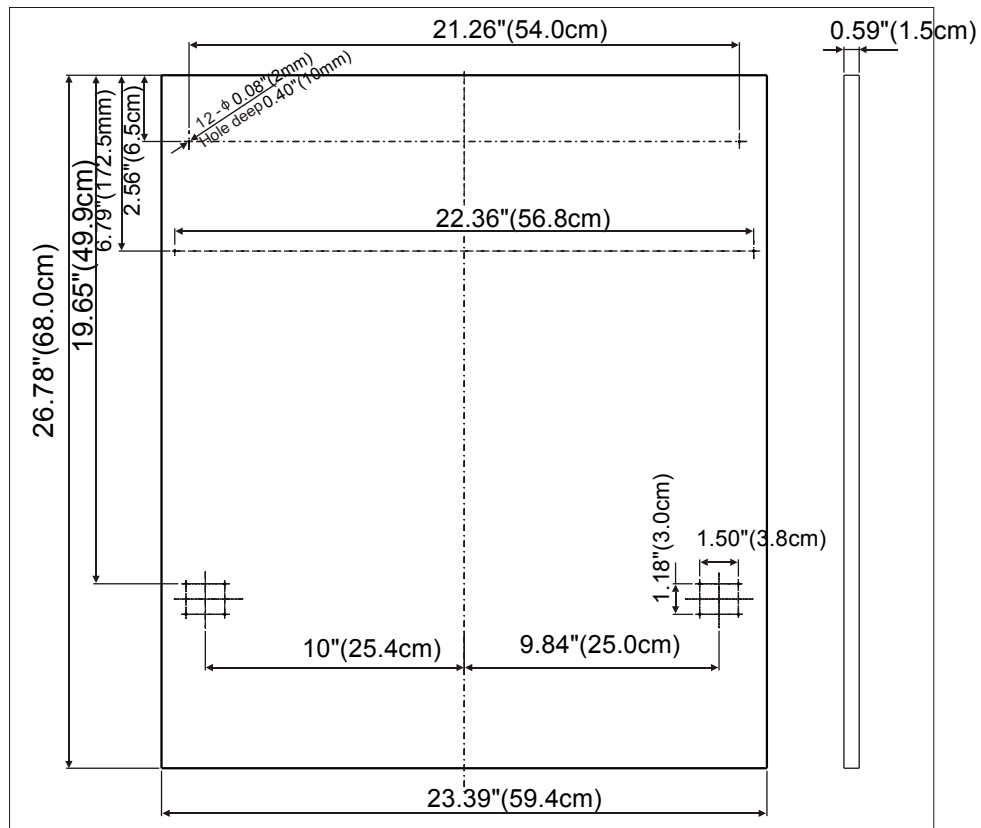
NOTES:

- Cut holes in shaded area of cabinet walls or floor for plumbing and electrical service.
- ADA installation—32 1/2" (82.5 cm) beneath 34" (86.4 cm) high countertops may be accomplished by adjusting the toe kick and leveling legs.

● Custom panel dimensions and installation

1 The custom panel should be constructed according to the next Figure.

(Unit: inch/cm)



Install the hook on the custom panel and put the hook into the slot of the outer door of dishwasher. After positioning of the panel, fix the panel onto the outer door by screws and bolts.