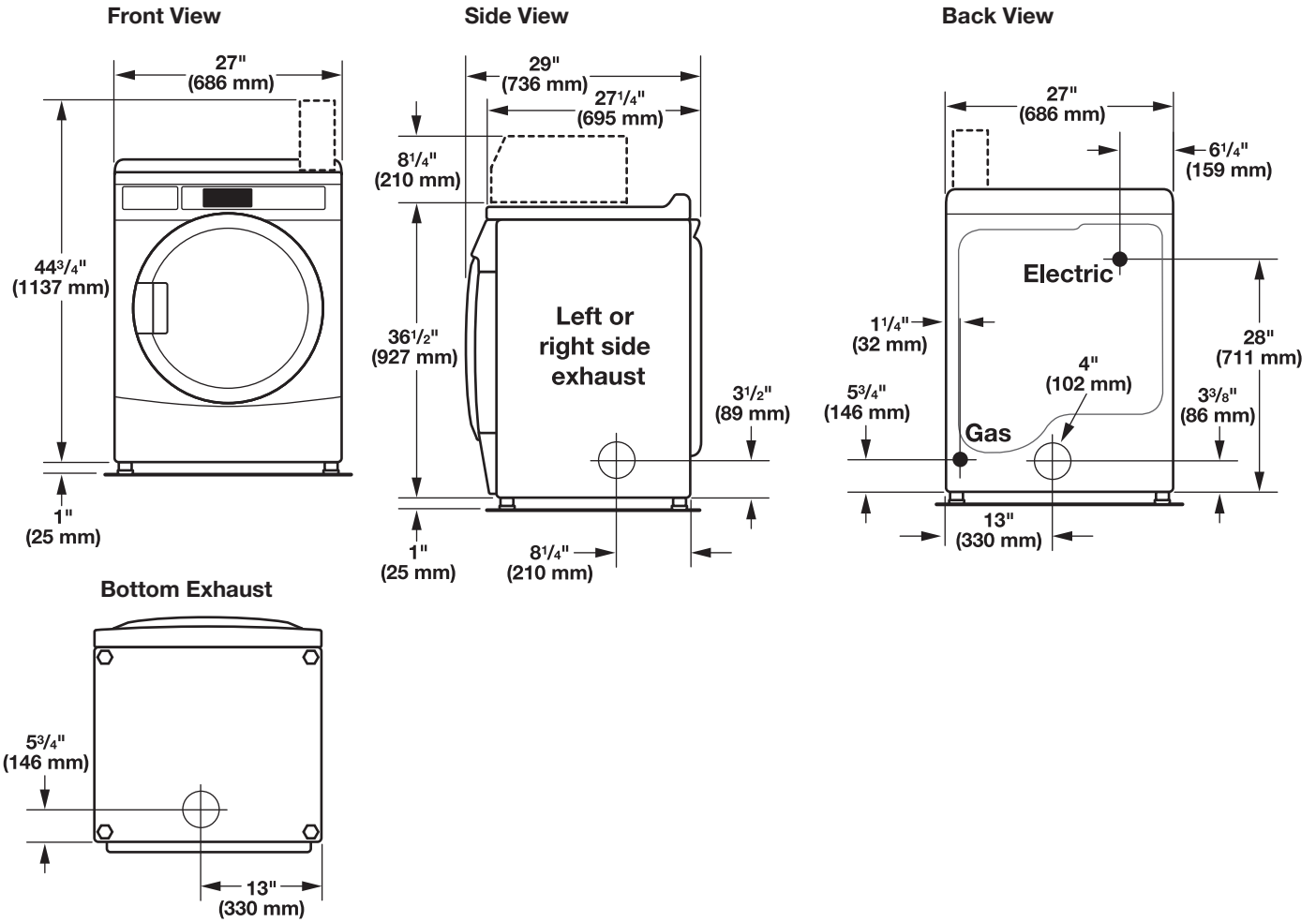


# INSTALLATION REQUIREMENTS

## Dimensions/Clearances

### Dimensions



### Clearances

