

Specification Submittal Data / Panasonic Ventilation Fan

Description

Ventilating fan shall be low noise ceiling mount type rated for continuous run. Fan shall be ENERGY STAR rated and certified by the Home Ventilating Institute (HVI). Fan shall also be evaluated by Underwriters Laboratories and conform to both UL and cUL safety standards.

Motor/Blower:

- Four-pole fully enclosed condenser motor rated for continuous run.
- Power rating shall be 120 volts and 60 Hz.
- Fan shall be UL listed for tub/shower enclosure when used with a GFCI protected circuit and used in insulated ceiling (TYPE I.C.).
- Motor equipped with thermal-cutoff fuse.
- Removable with permanently lubricated plug-in motor.

Housing:

- Rust proof paint, galvanized steel body.
- 6" diameter duct adapter.
- Built in backdraft damper.
- Built-in metal flange provides blocking for penetrations through drywall as an Air Barrier, and assists with the decrease in leakage in the Building Envelope during blower door testing.
- Expandable extension bracket up to 26".
- Double hanger bar system allowing for ideal positioning.

Grille:

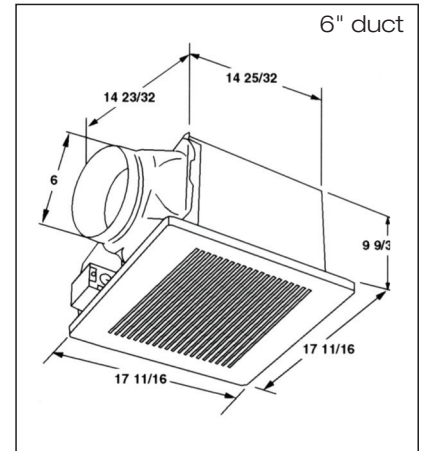
- Attractive design using PP material.
- Attaches directly to housing with torsion springs.

Warranty:

- ALL Parts: 3 years from original purchase date.

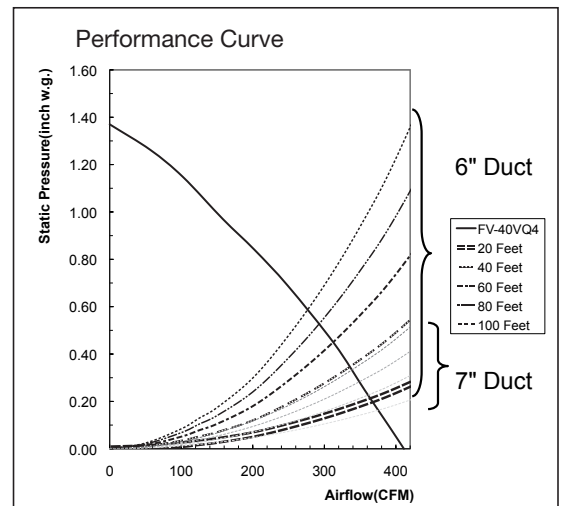
Architectural Specifications:

Ventilating fan shall be ceiling mount, ENERGY STAR rated type, with no less than 390 CFM and no more than 3.0 sones as certified by the Home Ventilating Institute (HVI) at .1 wg and no less than 356 CFM and no more than 3.0 sones at .25 wg. Power consumption shall be no greater than 111.4 Watts at .1 wg and 109.6 Watts at .25 wg. Energy efficiency shall be no less than 3.5 CFM/Watt at .1 wg and 3.3 CFM/Watt at .25 wg. The motor shall be fully enclosed, four pole condenser types engineered to operate continuously. Power rating shall be 120v/60Hz. Duct diameter shall be no less than 6". Fan shall be UL and cUL listed for tub/shower enclosure when used with a GFCI protected circuit. Fan can be used to comply with ASHRAE 62.2, LEED, EarthCraft, California Title-24, and WA Ventilation Code.



FV-40VQ4

Specifications: WhisperCeiling FV-40VQ4	6" Duct	
Static Pressure in inches w.g.	0.1	0.25
Air Volume (CFM)	390	356
Noise (sones)	3.0	3.0
Power Consumption (watts)	111.4	109.6
Energy Efficiency (CFM/Watt)	3.5	3.3
Speed (RPM)	793	874
Current (amps)	0.99	0.98
ENERGY STAR	YES	



For complete Installation Instructions visit us.panasonic.com/ventfans

Model	Quantity	Comments	Project:
			Location:
			Architect:
			Engineer:
			Contractor:
			Submitted by:
			Date:

Panasonic Eco Products Division

Eco Products Division Two Riverfront Plaza
Newark, NJ 07102

us.panasonic.com/ventfans

