

**Features**

- Space-saving corner design.
- Framed, 1/8" (3 mm) thick tempered glass.
- Threshold conveniently directs water back into shower.
- Watertight flexible door seal for easy operation.
- Full-length handle.
- For use on Sterling Intrigue Series 7204.

**Material**

- Anodized aluminum prevents rusting or corrosion.
- Tempered glass ensures maximum safety and durability.

**Installation**

- Out-of-plumb adjustability allows for simpler installation.
- Can be installed to open to the left or right.

**Components**

Additional included component/s: Hardware kit.



**Codes/Standards**

ANSI Z97.1 (Tempered Glass)  
CPSC 16CFR 1201

**STERLING® Warranty - Bath and Shower Doors**

See website for detailed warranty information.

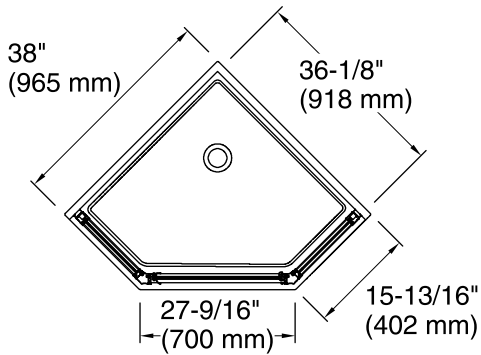
**Available Color/Finishes**

*Color tiles intended for reference only.*

Color	Code	Description
	DR	Deep Bronze
	N	Nickel
	S	Silver

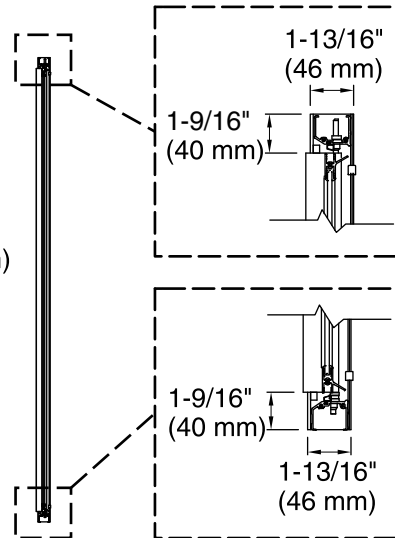
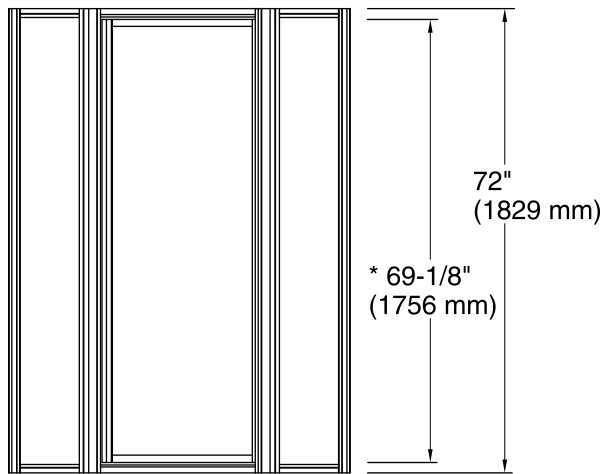
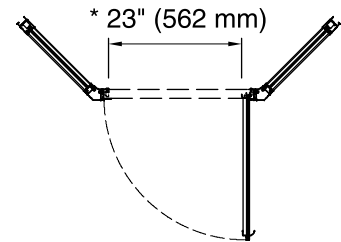
**Available Glass Options**

Code	Description
	Brownstone™
	Clear



**Note: Dimensions are taken on centerline of curb/threshold at the rough opening.**

**\* Walk-through**



**Technical Information**

- All product dimensions are nominal.
- Installation type: For shower base installation
- Walk-through - Min: 23" (584 mm)
- Walk-through - Max: 27-9/16" (700 mm)
- Glass thickness: 1/8" (3 mm)

**Notes**

- Install this product according to the installation guide.
- The vertical opening should be a minimum of 75-1/2" (1918 mm) to allow for installation clearance.