



# Underscore® Rectangle

5' Bath  
K-1121



## Features

- Comfort Depth® design offers a 19" (483 mm) step-over height.
- End drain.
- Slotted overflow for deep soaking.
- Integral lumbar support.
- 60" (1524 mm) x 30" (762 mm) x 19" (483 mm)

## Material

- Acrylic

## Installation

- Drop-in or under-mount.

## Required Accessories

K-7271 Brass Slotted Overflow Bath Drain

or

K-7272 PVC Slotted Overflow Bath Drain

## Recommended Accessories

- K-531 Under-mount Installation Kit
- K-1491 Bath/Whirlpool Pillow
- K-1601 Bath/Whirlpool Footstop
- K-24916 Wireless Music Kit
- K-702200-G54 Frameless Sliding Bath Door
- K-702200-G73 Frameless Sliding Bath Door
- K-702200-L Frameless Sliding Bath Door
- K-702205-L Frameless Sliding Bath Door
- K-706000-D3 Frameless Sliding Bath Door
- K-706000-L Frameless Sliding Bath Door
- K-706003-L Frameless Sliding Bath Door
- K-706004-D3 Frameless Sliding Bath Door
- K-706004-L Frameless Sliding Bath Door
- K-706007-L Frameless Sliding Bath Door
- K-1177 Vinyl Tiling-in Bead



ADA

## Codes/Standards

CSA B45.5/IAPMO Z124  
 ASTM E162  
 ASTM E662  
 Greenguard UL 2818 - Gold  
 ADA  
 ICC/ANSI A117.1

## KOHLER® One-Year Limited Warranty

See website for detailed warranty information.

## Available Color/Finishes

*Color tiles intended for reference only.*

| Color | Code | Description   |
|-------|------|---------------|
|       | 0    | White         |
|       | 96   | Biscuit       |
|       | 47   | Almond        |
|       | NY   | Dune          |
|       | 95   | Ice™ Grey     |
|       | G9   | Sandbar       |
|       | 33   | Mexican Sand™ |
|       | K4   | Cashmere      |
|       | 58   | Thunder™ Grey |
|       | 7    | Black Black™  |

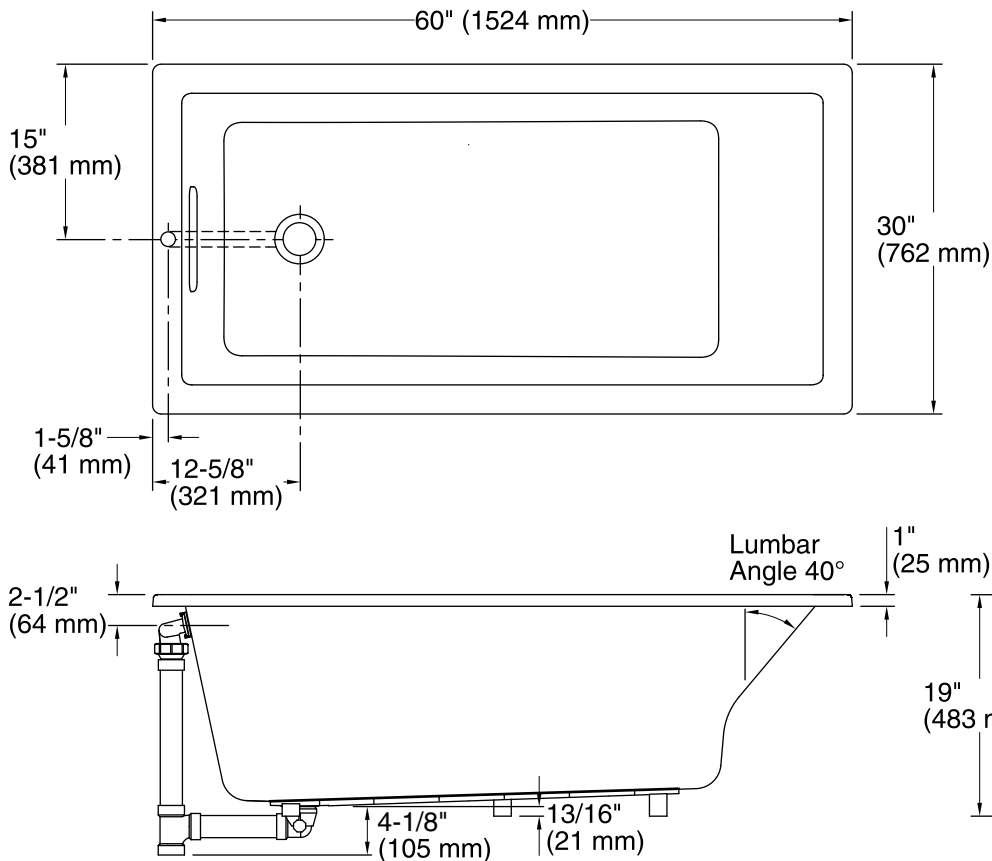
USA/Canada: 1-800-4KOHLER (1-800-456-4537)

Kohler Co. reserves the right to make revisions without notice to product specifications.

For the most current Specification Sheet, go to [www.kohler.com](http://www.kohler.com).

11-14-2017 04:39

THE BOLD LOOK  
OF **KOHLER**®



No change in measurement if connected with drain illustrated. (K-7272)

### Technical Information

All product dimensions are nominal.

|                        |   |
|------------------------|---|
| Installation:          | Drop-in, Under-mount                              |
| Drain location:        | End   |
| Basin area, bottom:    | 42-3/8" x 20" (1076 mm x 508 mm)                  |
| Basin area, top:       | 54-3/8" x 24-5/16" (1381 mm x 618 mm)             |
| Weight:                | 71 lbs (32.2 kg)                                  |
| Minimum floor load:    | 50 lbs/ft <sup>2</sup> (244.1 kg/m <sup>2</sup> ) |
| Water depth:           | 15-1/16" (383 mm)                                 |
| Water capacity:        | 59.8 gal (226.4 L)                                |
| Cutout:                | Drop-in, 59-1/2" x 28-1/2" (1511 mm x 724 mm)     |
| Minimum flat for door: | 1-15/16" (50 mm)                                  |

### Notes

Measure your actual product for rough-in details.

Install this product according to the installation instructions.

The hot water supply should be 70% of the capacity of the bath or greater. Installations will vary.

Kit is required for under-mount installations (sold separately).

ADA compliant when installed to the specific requirements of these regulations.