



**Accord®**

36" Shower with AIP Grab Bars  
**72240103**



### Features

- Modular design allows it to be moved around corners and through doorways with ease.
- Durable high gloss finish.
- Geometric back wall provides visual interest and ample storage space.
- Includes unattached Age-in-Place grab bars.
- 36" (914 mm) x 36" (914 mm) x 75-3/4" (1926 mm) complete unit finished dimensions.

### Material

- Compression molded from our exclusive Vikrell® material.

### Installation

- Four-piece modular design with pivot "snap together" installation.
- Caulk-less seam installation.

### Components

Product includes:

- 72245103 36" Shower End Wall Set with AIP Grab Bars
- 72242100 36" Shower Back Wall
- 72241100 36" Shower Base



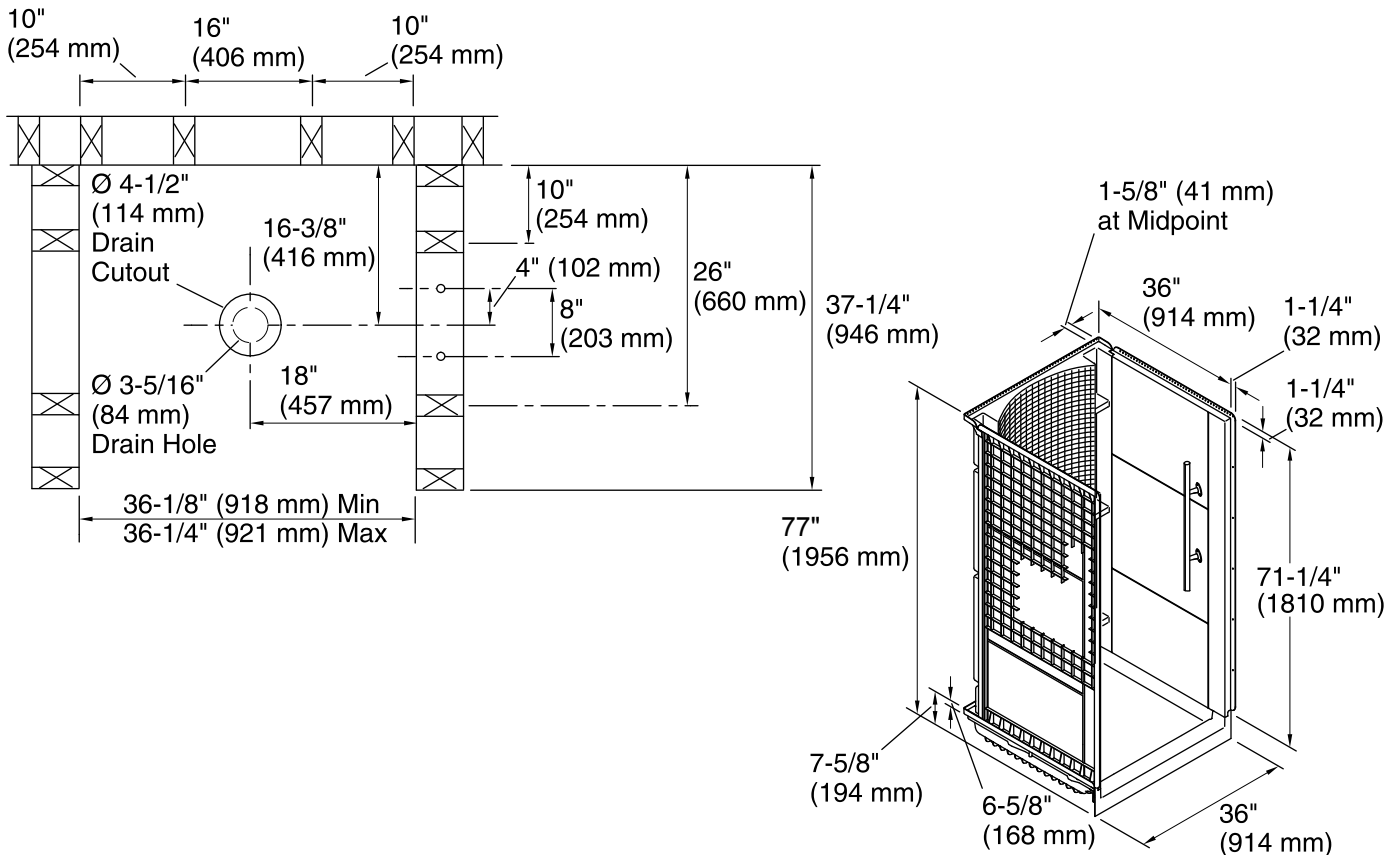
### Codes/Standards

CSA B45.5/IAPMO Z124  
ASTM E162  
ASTM E662  
Greenguard UL 2818 - Gold  
HUD, UM Bulletin 73

**STERLING® Warranty - Fixtures Made of Solid Vikrell Material**

**STERLING® Warranty - Grab Bars**

See website for detailed warranty information.



### Technical Information

All product dimensions are nominal.

Installation: 3-Wall Alcove

Drain location: Center

Door height required: 72" (1829 mm)

Door width required: 32-5/8" (829 mm)

### Notes

Measure your actual product for rough-in details.

Install this product according to the installation instructions.

Studs should be positioned roughly as shown.

Double studding is recommended for pivot shower door installations.

Attach grab bars at the specified backer board locations only.