



Accord®

60" x 32" Bath/Shower with AIP Grab Bars
71150123



Features

- Durable high gloss finish.
- Geometric back wall provides visual interest and ample storage space.
- Includes unattached Age-in-Place grab bars.
- 18" (457 mm) bath depth (floor to top of threshold).
- 60" (1524 mm) x 32" (813mm) x 74-1/4" (1886 mm) complete unit finished dimensions.

Material

- Compression molded from our exclusive Vikrell® material.

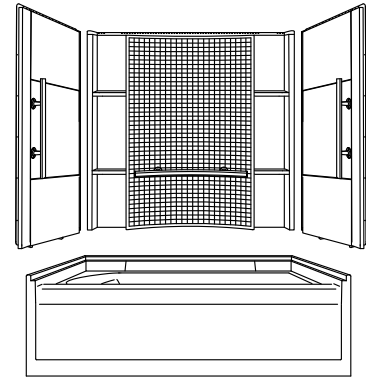
Installation

- Four-piece modular design with pivot "snap together" installation.
- Modular design allows it to be moved around corners and through doorways with ease.
- Caulk-less seam installation.

Components

Product includes:

- 71154103 60" x 32" Bath/Shower Wall Set with Grab Bars
- 71151120 60" x 32" Bath



Codes/Standards

CSA B45.5/IAPMO Z124
ASTM E162
ASTM E662
Greenguard UL 2818 - Gold
HUD, UM Bulletin 73

STERLING® Warranty - Fixtures Made of Solid Vikrell Material

STERLING® Warranty - Grab Bars

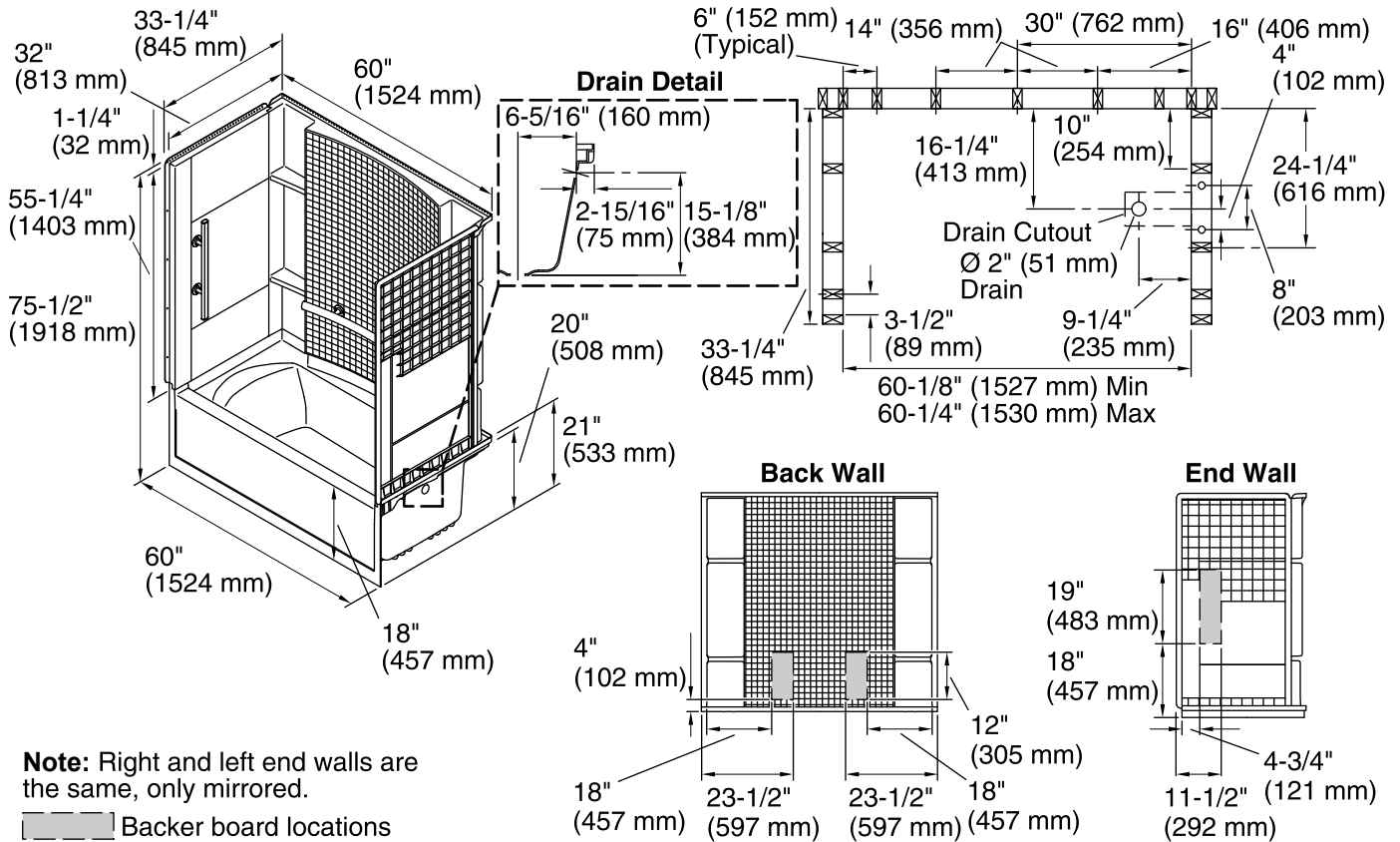
See website for detailed warranty information.

USA/Canada: 1-800-STERLING (1-800-783-7546)

Kohler Co. reserves the right to make revisions without notice to product specifications.

For the most current Specification Sheet, go to www.sterlingplumbing.com.

3-28-2016 03:42



Technical Information

All product dimensions are nominal.

Installation: 3-Wall Alcove

Drain location: Left

Basin area, bottom: 21-1/2" x 46-1/8" (546 mm x 1172 mm)

Basin area, top: 23" x 51" (584 mm x 1295 mm)

Water depth: 13-1/8" (333 mm)

Water capacity: 56 gal (212 L)

Minimum flat for door: 2-3/4" (70 mm)

Door height required: 55-7/8" (1419 mm)

Door width required: 56-3/4" (1441 mm)

Notes

Measure your actual product for rough-in details.

Install this product according to the installation instructions.

The hot water supply should be 70% of the capacity of the bath or greater. Installations will vary.

Studs should be positioned roughly as shown.

Double studding is recommended for pivot shower door installations.

Bath cannot be installed without the wall surround.

Attach grab bars at the specified backer board locations only.