



Accord®

60" x 36" Bath/Shower with AIP Grab Bars
71160123



Features

- Modular design allows it to be moved around corners and through doorways with ease.
- Durable high gloss finish.
- Geometric back wall provides visual interest and ample storage space.
- Includes factory-installed Age-in-Place grab bars.
- 20" (508 mm) bath depth (floor to top of threshold).
- 60" (1524 mm) x 36" (914mm) x 76-1/4" (1937 mm) complete unit finished dimensions.

Material

- Compression molded from our exclusive Vikrell® material.

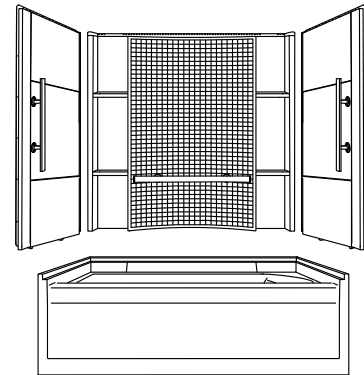
Installation

- Four-piece modular design with pivot "snap together" installation.
- Caulk-less seam installation.

Components

Product includes:

- 71164103 60" x 36" Bath/Shower Wall Set with Grab Bars
- 71161120 60" x 36" Bath



Codes/Standards

CSA B45.5/IAPMO Z124
ASTM E162
ASTM E662
Greenguard UL 2818 - Gold
HUD, UM Bulletin 73

STERLING® Warranty - Fixtures Made of Solid Vikrell Material

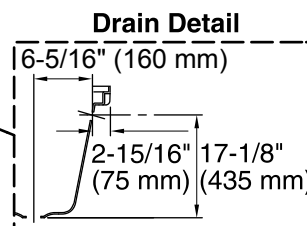
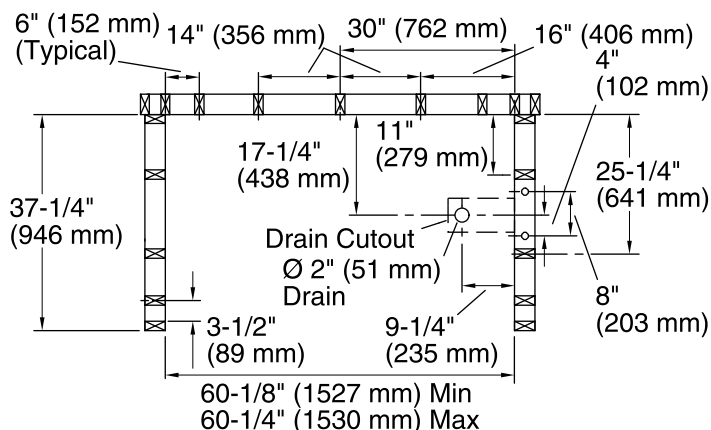
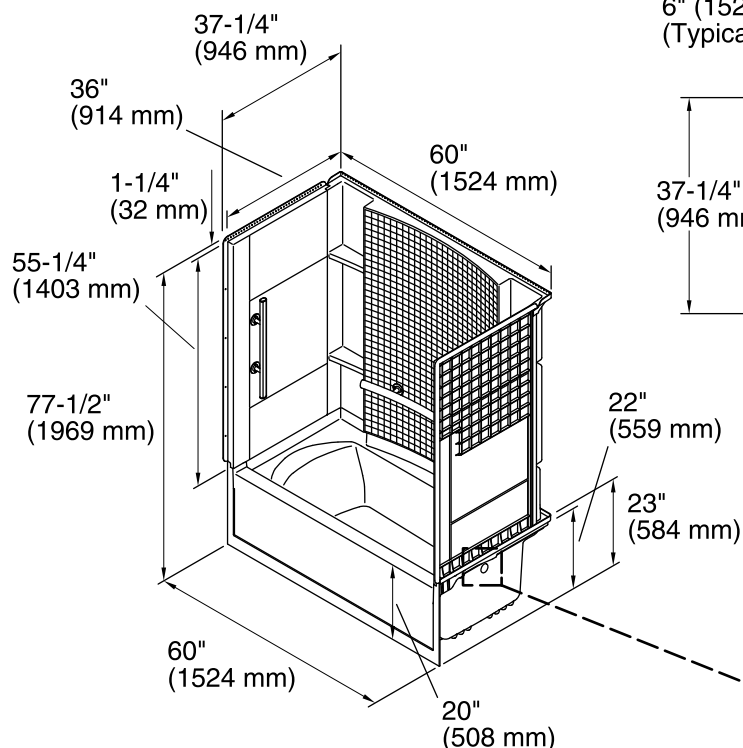
See website for detailed warranty information.

USA/Canada: 1-800-STERLING (1-800-783-7546)

Kohler Co. reserves the right to make revisions without notice to product specifications.

For the most current Specification Sheet, go to www.sterlingplumbing.com.

3-29-2016 02:17



Technical Information

All product dimensions are nominal.

Installation:	3-Wall Alcove
Drain location:	Right
Basin area, bottom:	22-7/8" x 46" (581 mm x 1168 mm)
Basin area, top:	24-7/8" x 50-7/8" (632 mm x 1292 mm)
Water depth:	15-1/8" (384 mm)
Water capacity:	70 gal (265 L)
Door height required:	55-7/8" (1419 mm)
Door width required:	56-3/4" (1441 mm)

Notes

Measure your actual product for rough-in details.

Install this product according to the installation instructions.

The hot water supply should be 70% of the capacity of the bath or greater. Installations will vary.

Measure your actual product for roughing-in details.

Install this product according to the installation guide.

Studs should be positioned roughly as shown.

Double studding is recommended for pivot shower door installations.

Bath cannot be installed without the wall surround.

Attach grab bars at the specified backer board locations only.