



### Features

- Compression molded from our exclusive solid Vikrell® material.
- Durable high-gloss finish.
- 3-speed blower with integrated 300 W heater, air switch control, and grounding-type plug-in cord.
- 29 air jets.
- Optional flange kit available for tile-in installation 71317100-NA.
- Optional flange kit provides continuous rim support and additional water containment benefits.
- 72" (1829 mm) x 42" (1067 mm) x 20-5/16" (516 mm) unit rough-in dimensions include 5/16" (8 mm) tall nailing flange.
- 72" (1829 mm) x 42" (1067 mm) x 20-5/16" (516 mm) complete unit finished dimensions.



### Codes/Standards



ASME A112.19.7/CSA B45.10  
CSA B45.5/IAPMO Z124  
ASTM E162  
ASTM E662  
UL 1795  
CSA 22.2 No. 218.2  
Greenguard UL 2818 - Gold

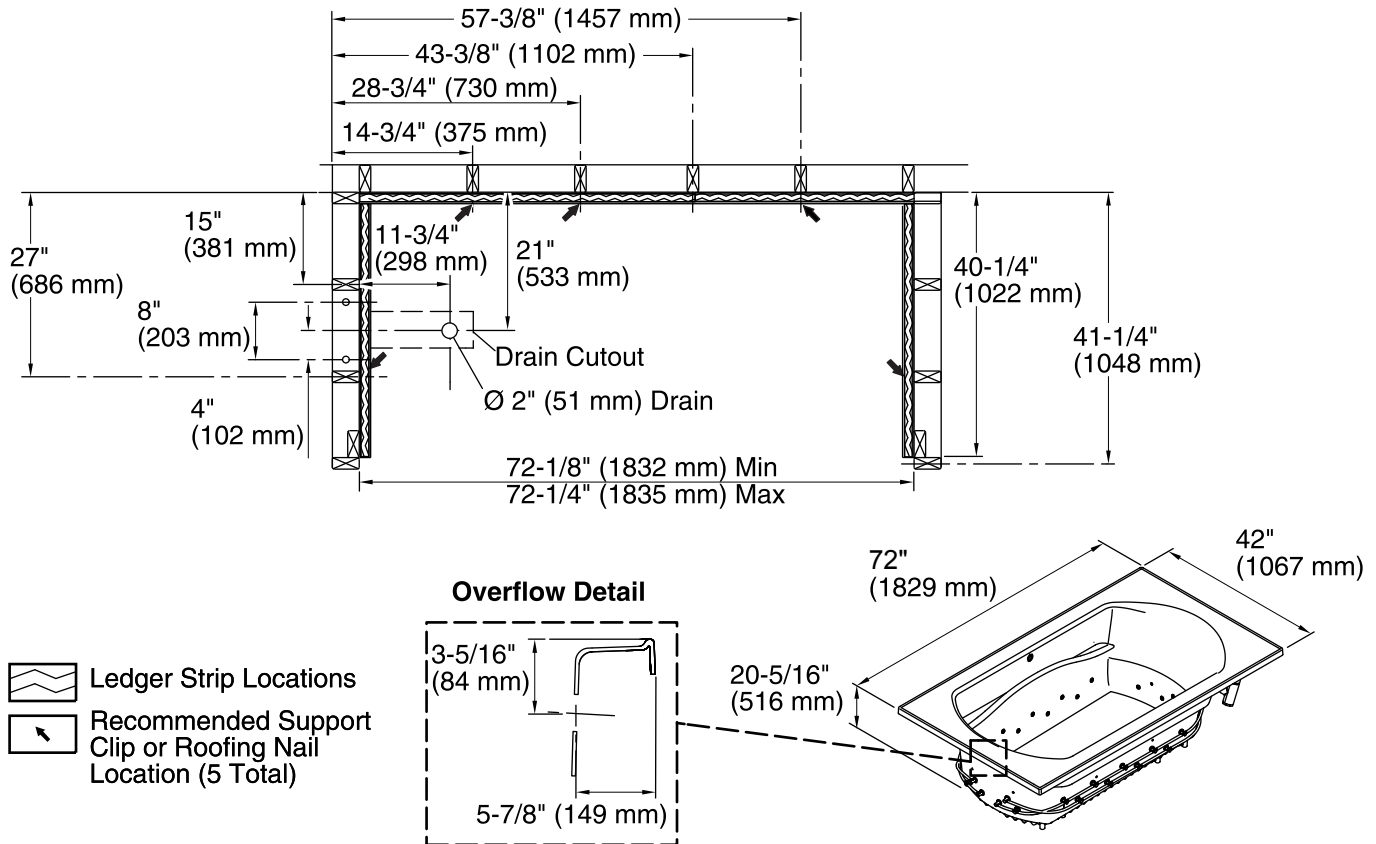
### STERLING® Warranty - Fixtures Made of Solid Vikrell Material

See website for detailed warranty information.

### Available Color/Finishes

*Color tiles intended for reference only.*

Color	Code	Description
	0	White
	96	KOHLER Biscuit



### Required Electrical Service

One dedicated circuit required, protected with Class A Ground-Fault Circuit-Interrupter (GFCI) or Residual Current Device (RCD).

Blower, Heater: 120 V, 15 A, 60 Hz

### Technical Information

All product dimensions are nominal.

Installation: Drop-in  
 Drain location: End  
 Basin area, bottom: 50" x 25-5/8" (1270 mm x 651 mm)  
 Basin area, top: 59" x 33" (1499 mm x 838 mm)  
 Weight: 92 lbs (41.7 kg)  
 Minimum floor load: 41 lbs/ft<sup>2</sup> (200.2 kg/m<sup>2</sup>)  
 Water depth: 15-1/4" (387 mm)  
 Water capacity: 80 gal (302.8 L)  
 Electrical component rating: Blower: 120 V, 9.2 A, 60 Hz  
 Heater: 300 W  
 Minimum flat for door: 3" (76 mm)

### Notes

- Install this product according to the installation instructions.
- Provide one grounded electrical outlet within 24" (610 mm) of each component.
- Size the drain cutout to fit the drain assembly that will be used.
- Blower service access is required.
- End stud positioning is critical if nailing-in flanges are to be used.
- Studs should be positioned roughly as shown for support clip or roofing nail installation.