



Ensemble™

60" x 30" Shower Receptor

72171120



Features

- Perfect size for replacing an existing bath. Easy to install. Drain is located in the same position as existing bath.
- Durable high-gloss finish.
- 60" (1524 mm) x 30" (762 mm) x 4" (102 mm) unit finished dimensions.

Material

- Compression molded from our exclusive Vikrell® material.

Installation

- Suitable for tile down application.



Codes/Standards

CSA B45.5/IAPMO Z124
ASTM E162
ASTM E162
Greenguard UL 2818 - Gold
HUD, UM Bulletin 73



STERLING® Warranty - Fixtures Made of Solid Vikrell Material

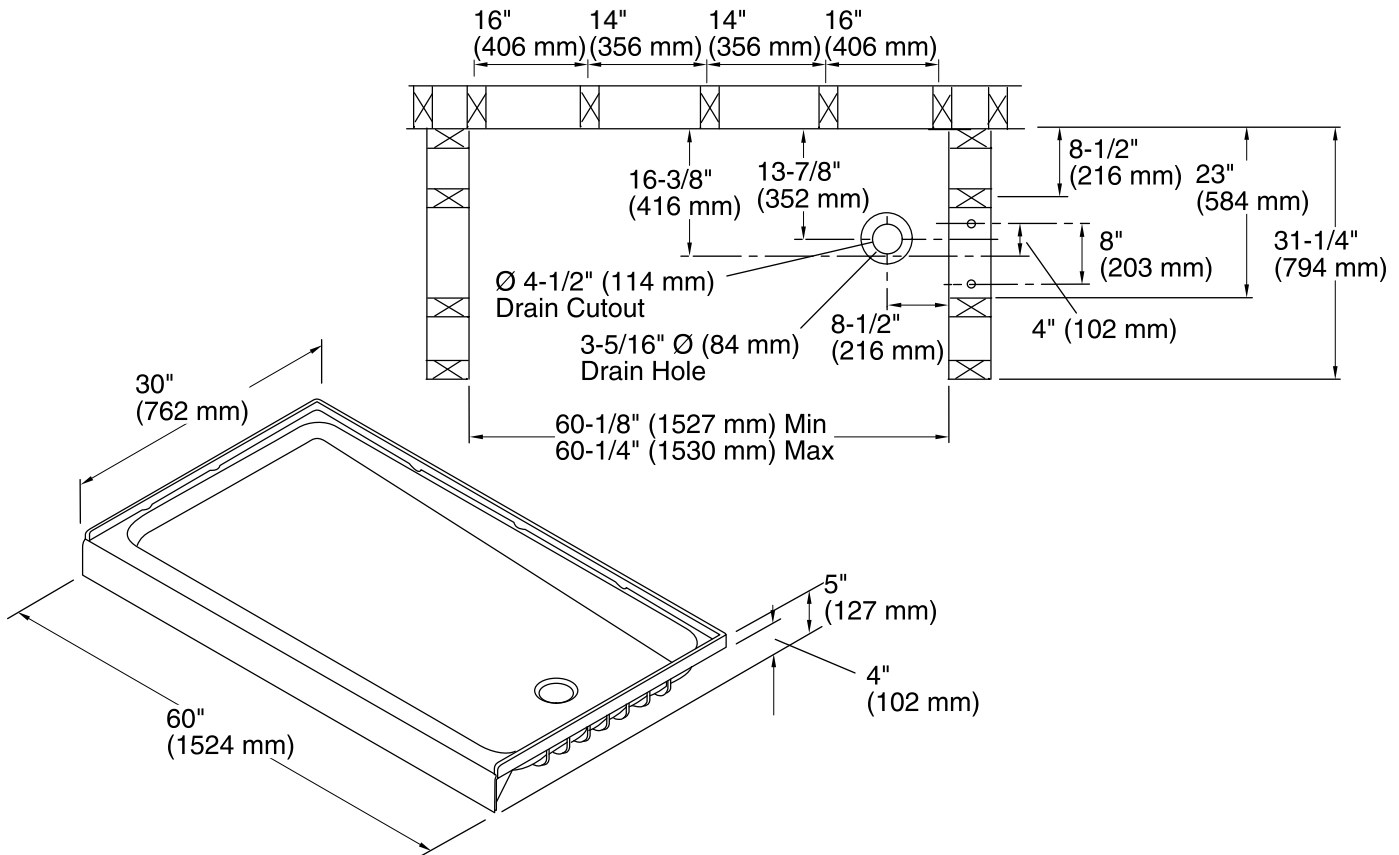
See website for detailed warranty information.

Available Color/Finishes

Color tiles intended for reference only.

Color	Code	Description
-------	------	-------------

- | | | |
|--|----|---------|
|  | 0 | White |
|  | 96 | Biscuit |



Technical Information

All product dimensions are nominal.
 Installation: 3-Wall Alcove
 Drain location: Right
 Drain hole diameter: 3-5/16" (84 mm)
 Weight: 38 lbs (17.2 kg)
 Minimum flat for door: 3" (76 mm)

Notes

Install this product according to the installation instructions.
 Studs should be positioned roughly as shown.
 Double studding is recommended for pivot shower door installations.