



A KOHLER COMPANY

Ensemble™

60" Curve End Drain Shower 72170120



Features

- Modular design allows it to be moved around corners and through doorways with ease.
- Durable high gloss finish.
- Convenient shelves provide generous storage space.
- Shaving ledge/foot rest for added comfort.
- Curve wall design for a smooth look and feel.
- 60" (1524 mm) x 30" (762 mm) x 75-1/4" (1911 mm) complete unit finished dimensions.

Material

- Compression molded from our exclusive Vikrell® material.

Installation

- Tongue-and-groove four piece modular design allows for easy snap together installation.
- Some caulk required for proper installation.
- End drain makes it perfect for replacing an existing bath without moving the drain location.

Components

Product includes:

- 72171120 60" x 30" Shower Receptor
- 72232100 60" Shower Back Wall
- 72175100 60" x 30" Shower End Wall Set



Codes/Standards



- CSA B45.5/IAPMO Z124
- ASTM E162
- ASTM E662
- Greenguard UL 2818 - Gold
- HUD, UM Bulletin 73

STERLING® Warranty - Fixtures Made of Solid Vikrell Material

See website for detailed warranty information.

Available Color/Finishes

Color tiles intended for reference only.

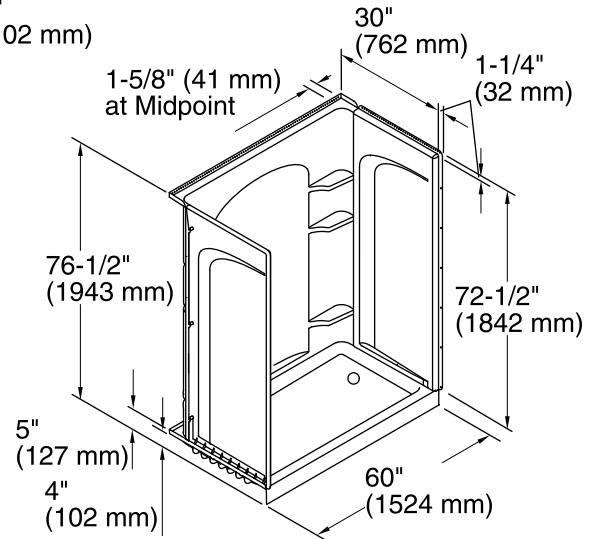
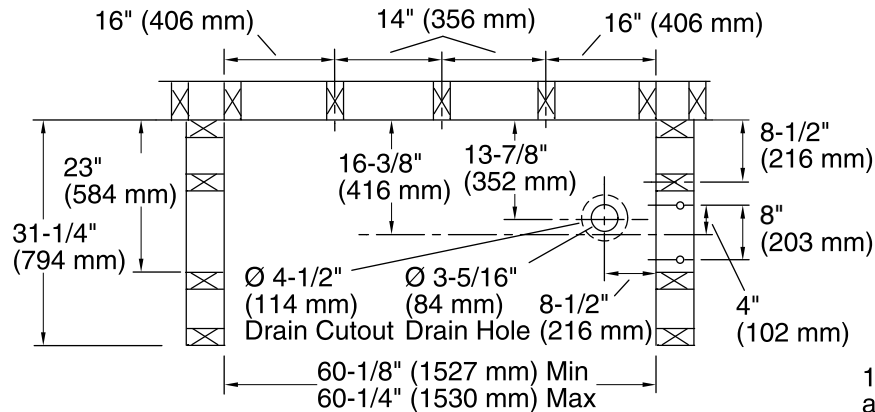
Color	Code	Description
	0	White
	96	KOHLER Biscuit

USA/Canada: 1-800-STERLING (1-800-783-7546)

Kohler Co. reserves the right to make revisions without notice to product specifications.

For the most current Specification Sheet, go to www.sterlingplumbing.com.

8-31-2017 05:09



Technical Information

All product dimensions are nominal.

Installation: 3-Wall Alcove

Drain location: Right

Minimum flat for door: 3" (76 mm)

Threshold height: 4" (102 mm)

Door height required: 70-1/2" (1791 mm)

Door width required: 56-5/8" (1438 mm)

Notes

Install this product according to the installation instructions.

Receptor cannot be installed without the wall surround.

Studs should be positioned roughly as shown.

Double studding is recommended for pivot shower door installations.