



Lawson®

42" Whirlpool Bath with Heater
76281120-H



Features

- Right drain.
- Durable high-gloss finish.
- 60" (1524 mm) x 42" (1067 mm) x 20-5/16" (516 mm) unit rough-in dimensions include nailing flange.
- 60" (1524 mm) x 42" (1067 mm) x 20-5/16" (516 mm) complete unit finished dimensions.

Material

- Compression-molded from our exclusive solid Vikrell® material.

Hydrotherapy

- Pump with air switch and grounding-type plug-in cord.
- Six fully-adjustable hydro-massage jets (color-matched and factory-installed).
- Includes heater.

Installation

- Drop-in or alcove installation.

Recommended Accessories

76268100 Apron with Access Panel
71287100 Tile-in Flange Kit for 60" Models
71268100 Standard Bath Apron



Codes/Standards

ASME A112.19.7/CSA B45.10
CSA B45.5/IAPMO Z124
ASTM E162
ASTM E662
UL 1795
Greenguard UL 2818 - Gold
CARB P2



STERLING® Warranty - Fixtures Made of Solid Vikrell Material

See website for detailed warranty information.

Available Color/Finishes

Color tiles intended for reference only.

Color Code Description

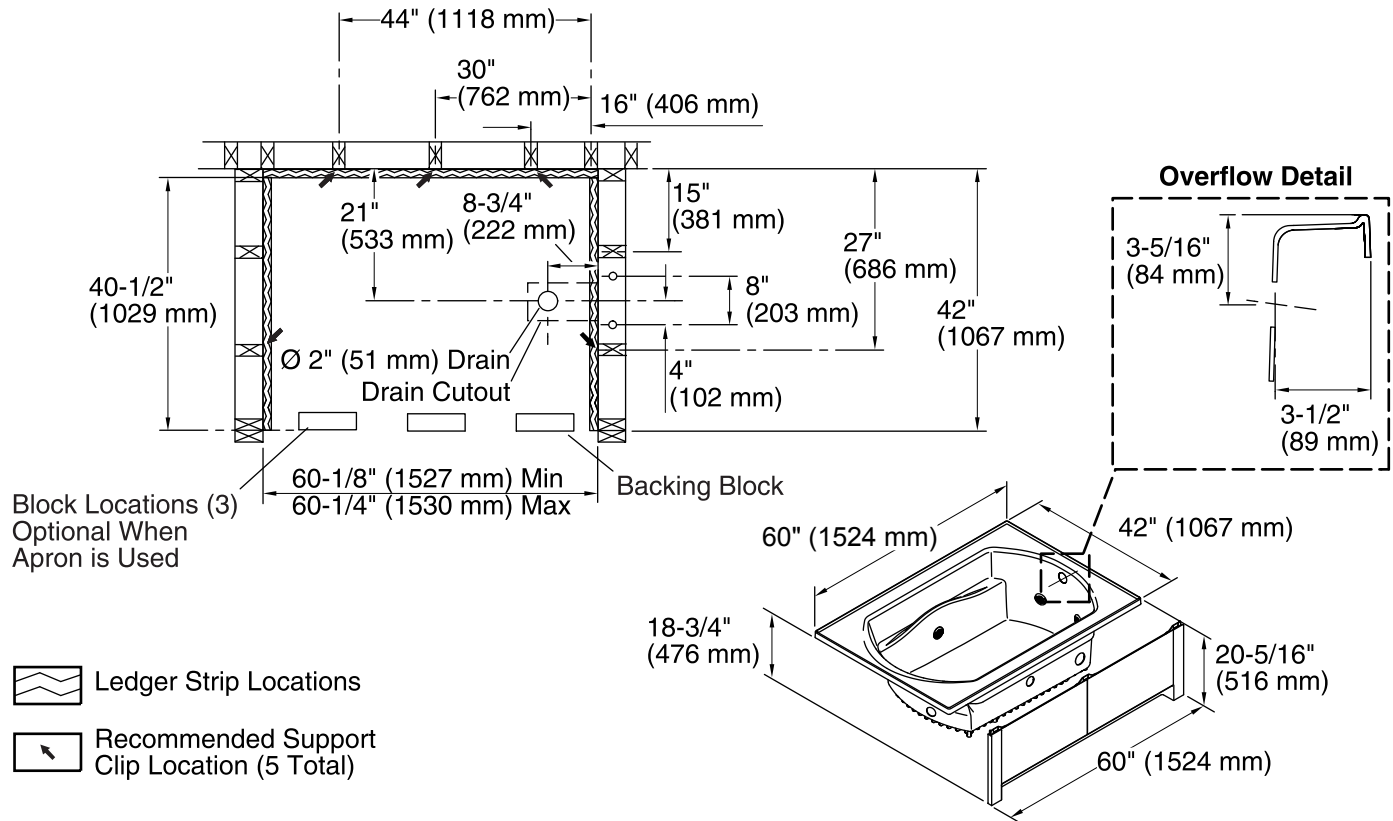
	0	White
	96	KOHLER Biscuit

USA/Canada: 1-800-STERLING (1-800-783-7546)

Kohler Co. reserves the right to make revisions without notice to product specifications.

For the most current Specification Sheet, go to www.sterlingplumbing.com.

7-28-2017 07:32



Required Electrical Service

Two dedicated circuits required, protected with Class A Ground-Fault Circuit-Interrupter (GFCI) or Residual Current Device (RCD).

Pump: 120 V, 15 A, 60 Hz
Heater: 120 V, 15 A, 60 Hz

Technical Information

All product dimensions are nominal.

Installation: Drop-in, 3-Wall Alcove
Drain location: Right
Basin area, bottom: 44" x 25-3/4" (1118 mm x 654 mm)
Basin area, top: 51" x 32-3/4" (1295 mm x 832 mm)
Water depth: 15-1/4" (387 mm)
Water capacity: 68 gal (257.4 L)
Electrical component rating: Pump: 120 V, 7 A, 60 Hz
Heater: 120 V, 12.5 A, 60 Hz, 1500 W
Pump speed: Single
Minimum flat for door: 3" (76 mm)

Notes

- Install this product according to the installation instructions.
- Provide one grounded electrical outlet within 24" (610 mm) of each component.
- Measure your actual product for roughing-in details.
- Pump service access is required.
- Size the drain cutout to fit the drain assembly.
- Stud positioning is critical if nailing-in flanges are to be used.
- Studs should be positioned roughly as shown for support clip or roofing nail installation.