

THE COMPLETE SOLUTION® TOILET K-11464



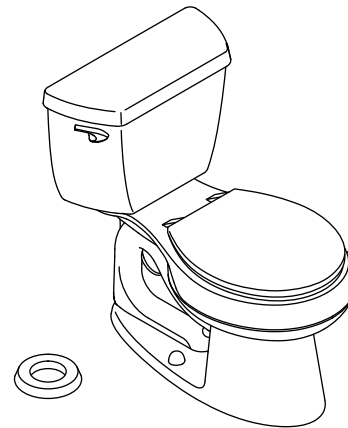
Features

- Vitreous china
- Round bowl
- Class Five® flushing system
- Includes seat, cover, wax ring, polished chrome trip lever and floor hardware
- Less supply
- 12" (305 mm) rough-in
- 1.28 gpf (4.8 lpf)
- 2-1/8" (54 mm) glazed trapway
- 10-1/2" (267 mm) x 7-3/4" (197 mm) water area
- 27-1/2" (699 mm) x 19-5/8" (498 mm) x 28-1/4" (718 mm)

Codes/Standards Applicable

Specified model meets or exceeds the following:

- ASME A112.19.2/CSA B45.1
- EPA WaterSense®



Colors/Finishes

- 0: White

Accessories

- CP: Polished Chrome
- Other: Refer to Price Book for additional colors/finishes

Specified Model

Model	Description	Trip Lever	Colors/Finishes
K-11464	The Complete Solution toilet	left-hand	<input type="checkbox"/> 0

Recommended Accessories			
K-7637	Angle supply with stop – 3/8" NPT	<input type="checkbox"/> CP	<input type="checkbox"/> Other_____

Product Specification

The round bowl toilet shall be made of vitreous china. Toilet shall be 27-1/2" (699 mm) in length, 19-5/8" (498 mm) in width, and 28-1/4" (718 mm) in height with a 10-1/2" (267 mm) x 7-3/4" (197 mm) water area. Product shall be for 12" (305 mm) rough-in. Product shall feature a 1.28 gpf (4.8 lpf) and Class Five flushing system. Product shall include a seat, cover, wax ring, polished chrome trip lever, and floor hardware. Product shall include a polished chrome trip lever. Product shall be less supply. Product shall have a 2-1/8" (54 mm) glazed trapway. Toilet shall be Kohler Model K-11464-_____.

WELLWORTH®

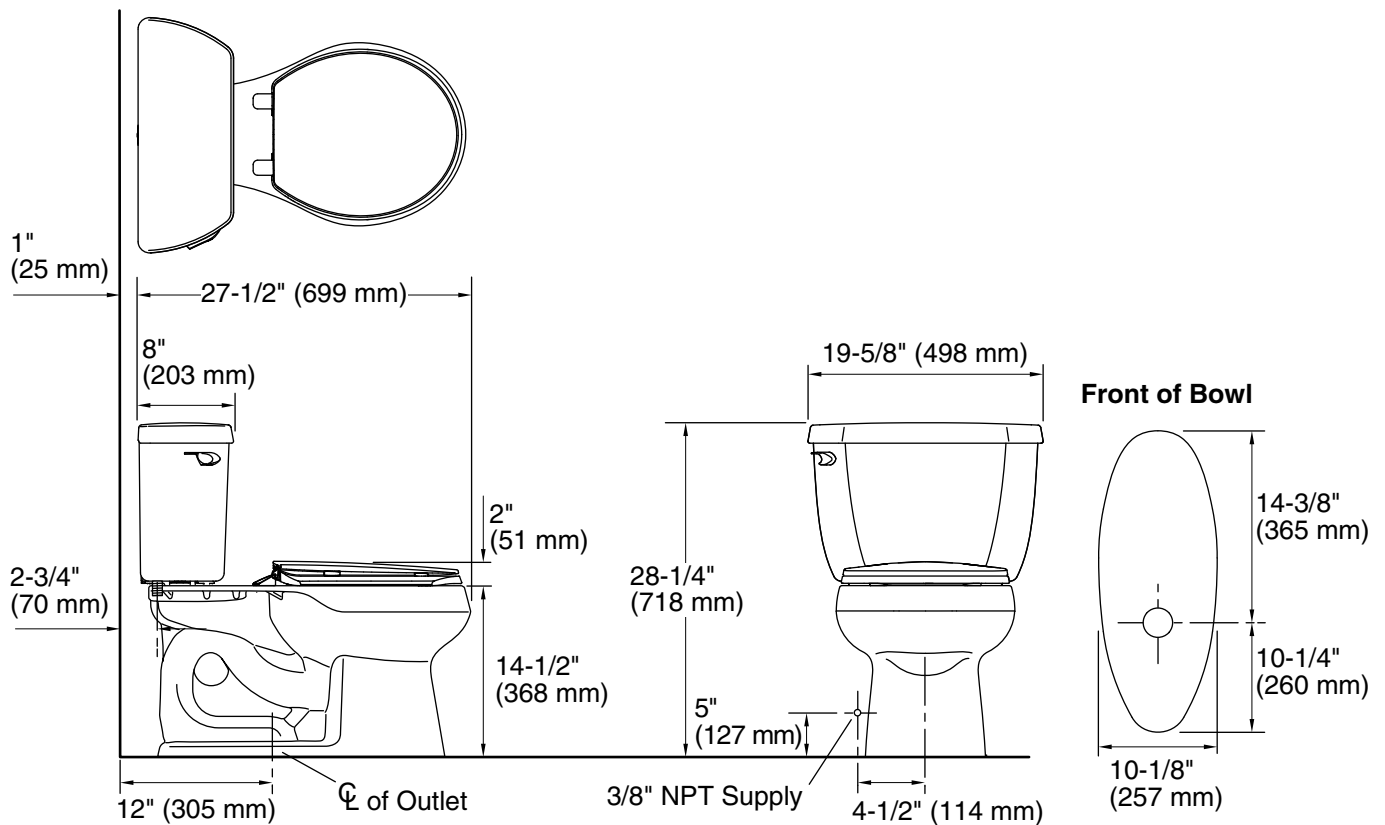
Technical Information

Fixture:	
Configuration	two-piece, round
Water per flush	1.28 gal (4.8 L)
Passageway	2-1/8" (54 mm)
Water area	10-1/2" (267 mm) x 7-3/4" (197 mm)
Water depth from rim	5-1/4" (133 mm)
Seat post hole centers	5-1/2" (140 mm)

Included components:	
Bowl	K-4197
Tank	K-4436
Tank cover	84591
Trip lever	K-9386-L
Toilet seat	K-4658
Bolt cap accessory pack	1013092
Wax ring and hardware installation kit	1023457

Installation Notes

Install this product according to the installation guide.



Product Diagram