

Features

- 36-inch minimum base cabinet width.
- 18-gauge stainless steel.
- Top-mount.
- Large/medium bowl.
- Three faucet holes with one accessory hole to the left.
- SilentShield® sound-absorption technology offers quieter performance.
- 33" (838 mm) x 22" (559 mm)

Optional Accessories

- K-6485 Right-Bowl Sink Rack
- K-8801 Sink Strainer
- 1177161 Installation Clip Kit

Components

Product includes:

- K-6484 Left-Bowl Sink Rack
- K-6139 Sponge Caddy
- 1177160 Hardware Kit, Top-mount

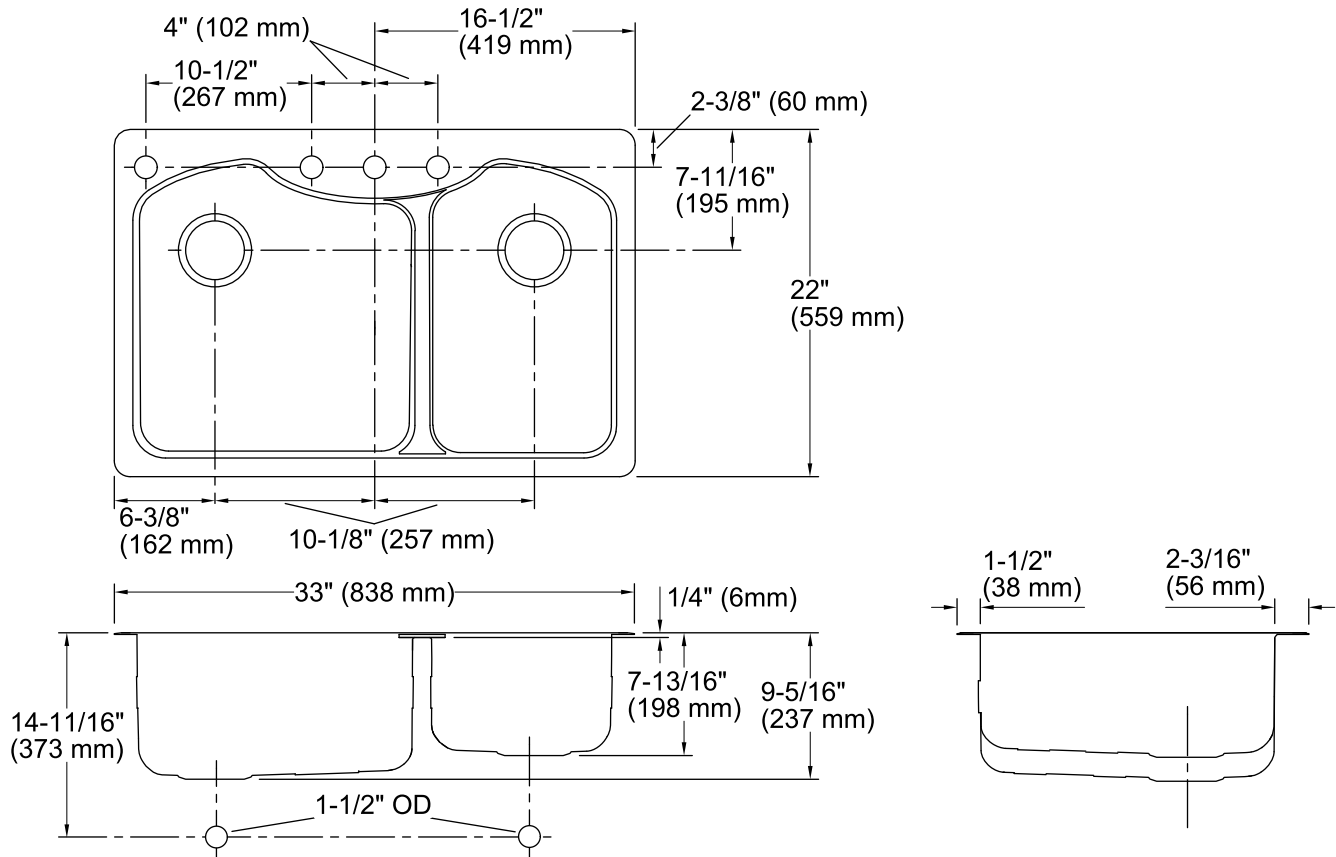


Codes/Standards

ASME A112.19.3/CSA B45.4

Lifetime Limited Warranty for KOHLER® Stainless Steel Sinks

See website for detailed warranty information.



Technical Information

All product dimensions are nominal.

Bowl configuration: Large/medium

Installation: Top-mount

Cutout: Top-mount, 32-1/2" x 21-1/2" (826 mm x 546 mm) with 1/2" (13 mm) radius corners

Bowl area (Left) Length: 17-3/8" (441 mm)

Width: 18-5/16" (465 mm)

Water depth: 9" (229 mm)

Bowl area (Right) Length: 11-5/16" (287 mm)

Width: 18-5/16" (465 mm)

Water depth: 9" (229 mm)

Number of deck holes: 4

Faucet hole(s): 1-7/16" (37 mm)

Drain hole: 3-5/8" (92 mm)

Notes

Install this product according to the installation instructions.