



## Artist Editions® Inia Wading Pool®

Above-counter Bathroom Sink

**K-2773-G1**

### Features

- Glass.
- Above-counter.
- Rectangular basin.
- Without overflow.
- No faucet holes; requires wall- or counter-mount faucet.
- 20-5/8" (524 mm) x 14-15/16" (379 mm)

### Components

Additional included component/s: Drain Gasket Kit 1197255.



ADA

### Codes/Standards

CSA B45.11/IAPMO Z401

ADA

ICC/ANSI A117.1


### KOHLER® One-Year Limited Warranty

See website for detailed warranty information.

### Available Color/Finishes

*Color tiles intended for reference only.*

Color	Code	Description
-------	------	-------------

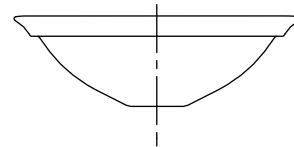
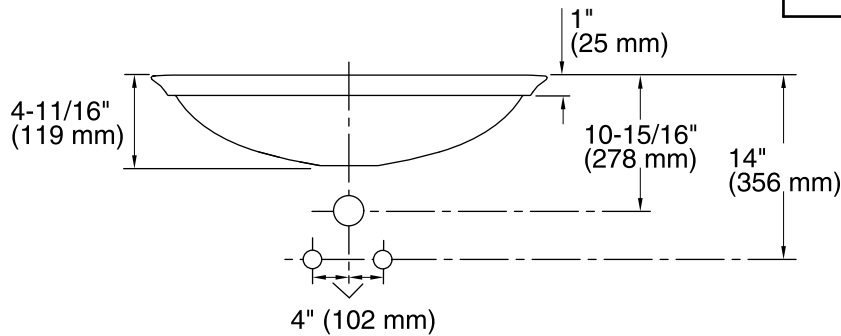
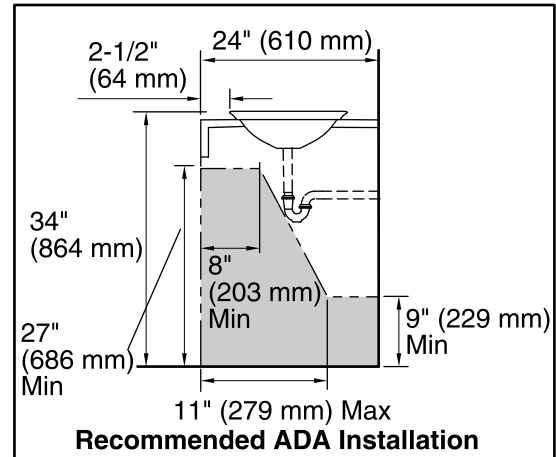
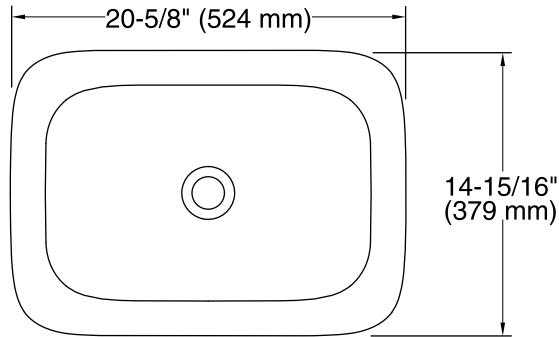
	B11	Ice
--	-----	-----



# Artist Editions® Inia Wading Pool®

Above-counter Bathroom Sink

K-2773-G1



## Technical Information

All product dimensions are nominal.

Installation: Vessel

Template: 1190263-7, not required, included

## Notes

Install this product according to the installation instructions.

Product does not have an overflow.

**NOTICE:** Countertop manufacturer or cutter must use the cut-out template provided with the product, or a current one provided by Kohler Co. (call 1-800-4KOHLER). Kohler Co. is not responsible for cut-out errors when the incorrect cut-out template is used.

Product must be installed with the supplied drain gasket kit.

ADA compliant when installed to the specific requirements of these regulations.