



Southaven®

Top-mount Kitchen Sink
37047-3

Features

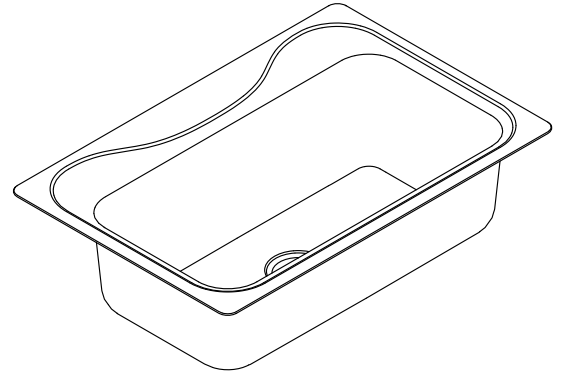
- Single bowl, ledge back sink.
- Includes SilentShield® sound-absorption system.
- 33" (838 mm) x 22" (559 mm) x 9-1/4" (235 mm)

Material

- 18-gauge stainless steel.
- Satin deck finish.
- Luster bowl finish.

Installation

- Top-mount, rolled rim.

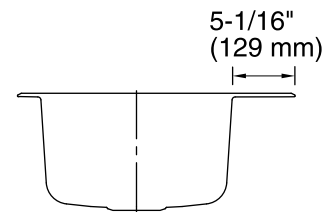
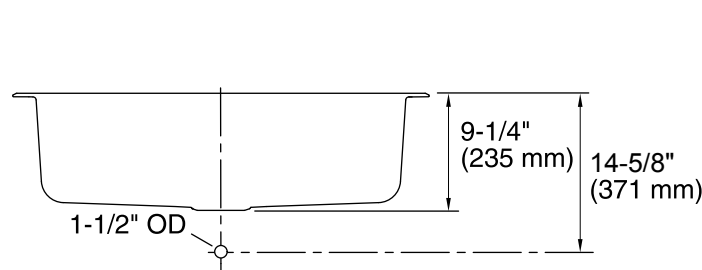
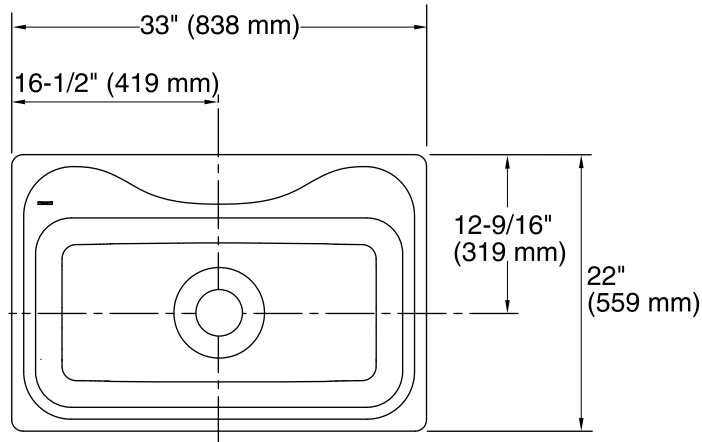


Codes/Standards

ASME A112.19.3/CSA B45.4

Sterling Warranty - Stainless Steel Sinks

See website for detailed warranty information.



Technical Information

All product dimensions are nominal.

- Bowl configuration: Single
- Installation: Top-mount
- Bowl area (Only)
 - Length: 29-1/4" (743 mm)
 - Width: 15" (381 mm)
 - Bowl depth: 9-1/4" (235 mm)
 - Water depth: 9" (229 mm)
- Number of deck holes: 3
- Faucet hole(s): 1-7/16" (37 mm)
- Drain hole: 3-5/8" (92 mm)
- Template: Top-mount, 1032929-7, not required, not included