

KOHLER®

Octave® Top-mount/Under-mount Kitchen Sink K-R3842-4

Features

- 36-inch minimum base cabinet width.
- 18-gauge stainless steel.
- Top-mount or Under-mount Kitchen Sink.
- Double (equal) bowl.
- Three faucet holes with one accessory hole to the right.
- With SilentShield® sound-absorption technology.
- 33" (838 mm) x 22" (559 mm)

Optional Accessories

- K-6139 Sponge Caddy
- K-6453 Sink Rack
- K-6483 Sink Rack
- K-8801 Sink Strainer
- 1177161 Installation Clip Kit

Components

- Product includes:
- 1177160 Hardware Kit, Top-mount

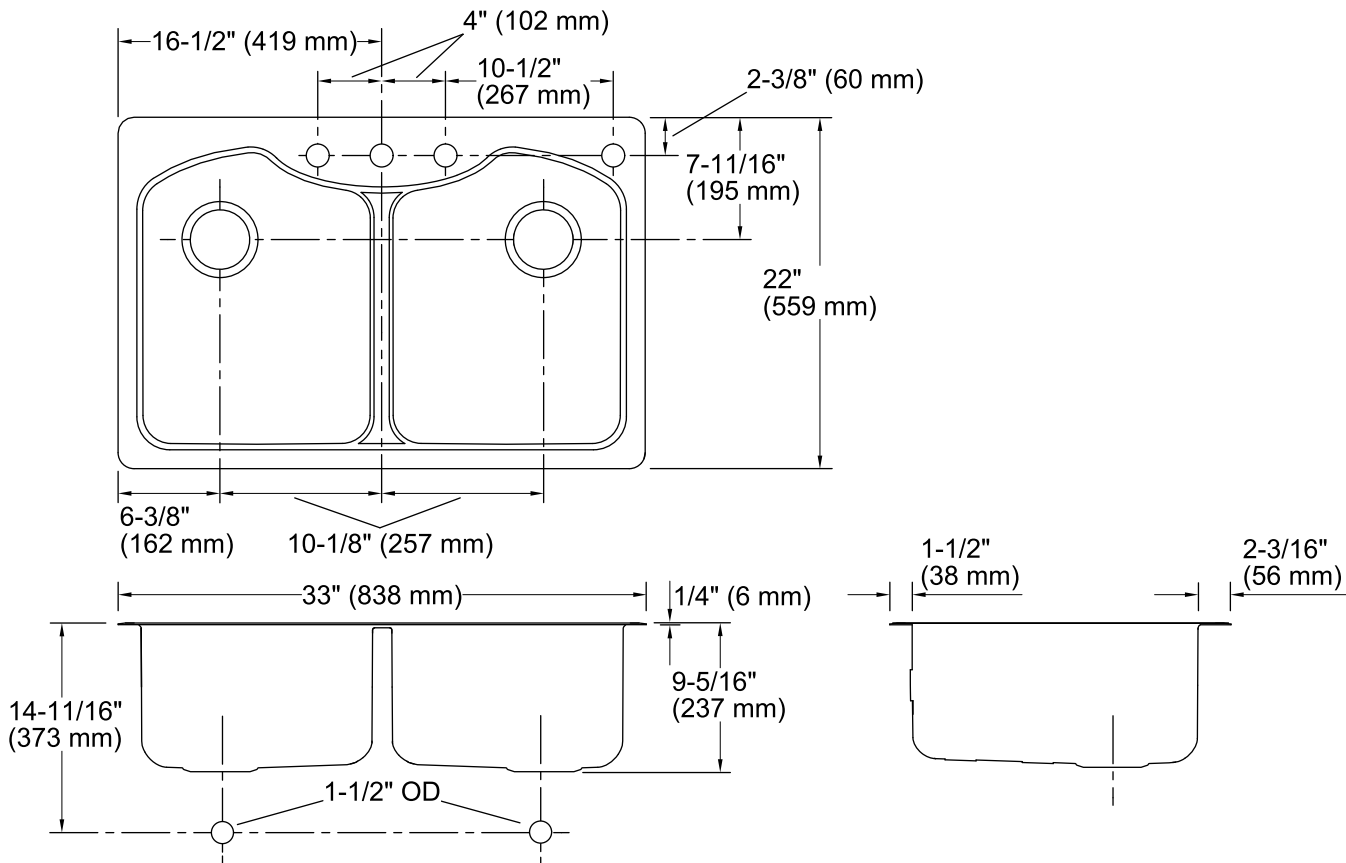


Codes/Standards

ASME A112.19.3/CSA B45.4

Lifetime Limited Warranty for KOHLER® Stainless Steel Sinks

See website for detailed warranty information.



Technical Information

All product dimensions are nominal.

Bowl configuration: Double equal

Installation: Top-mount

Bowl area (Left) Length: 14-3/8" (365 mm)

Width: 18-5/16" (465 mm)

Bowl depth: 9" (229 mm)

Bowl area (Right) Length: 14-3/8" (365 mm)

Width: 18-5/16" (465 mm)

Bowl depth: 9" (229 mm)

Number of deck holes: 4

Faucet hole(s): 1-7/16" (37 mm)

Drain hole: 3-5/8" (92 mm)

Template: Top-mount, 1181611-7, required, included

Notes

Install this product according to the installation instructions.